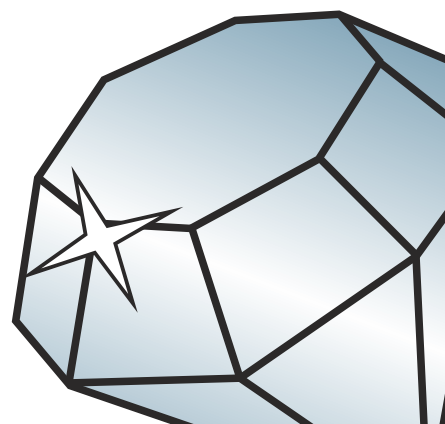


# Hinged & Lift Out Combination Units

Economy Odd Leg Section Guide



DURATION  
WINDOWS



# Contents



## Parts

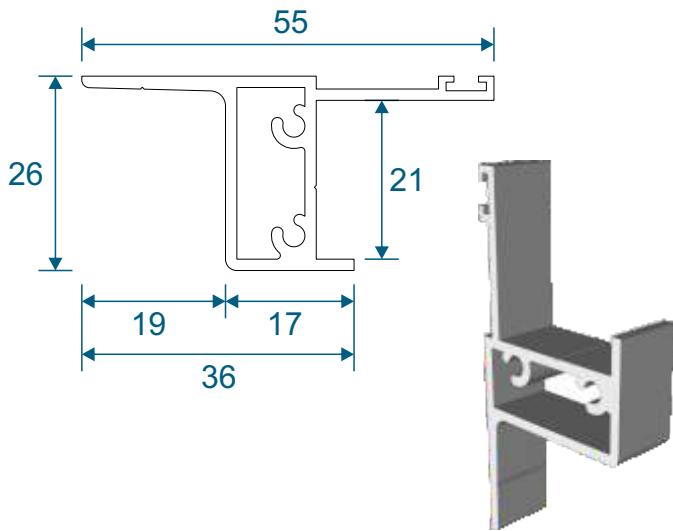
All Parts	3
-----------	---

## Sections

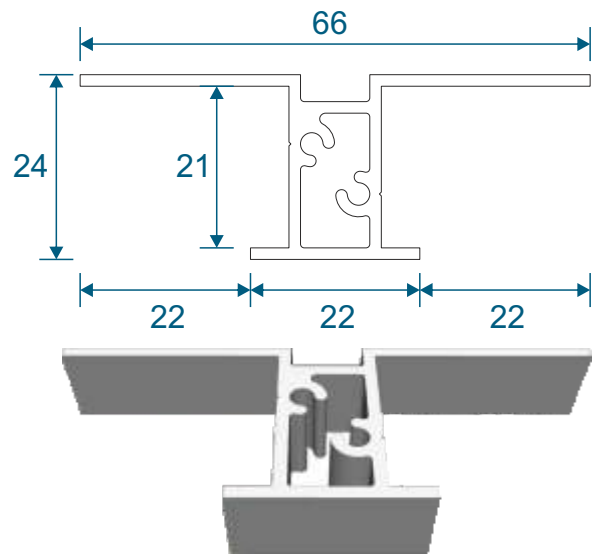
Section Reference Page	4
Transom & Mullion Sections	5
Frame Sections	6

# Parts

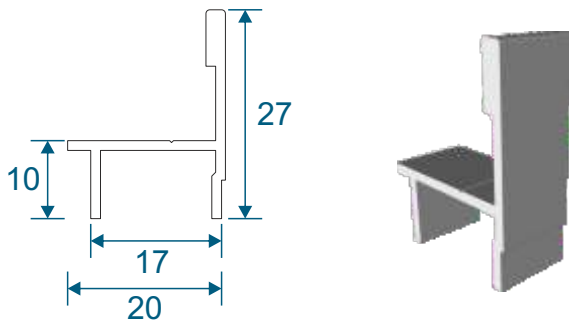
**SG93 - Odd Leg Outer Frame**



**DG95 - Mullion / Transom**



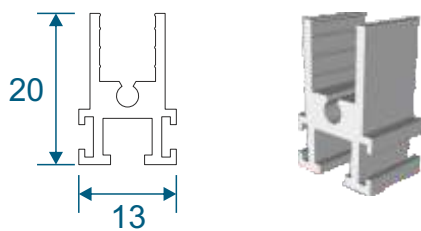
**DG96 - Adapter**



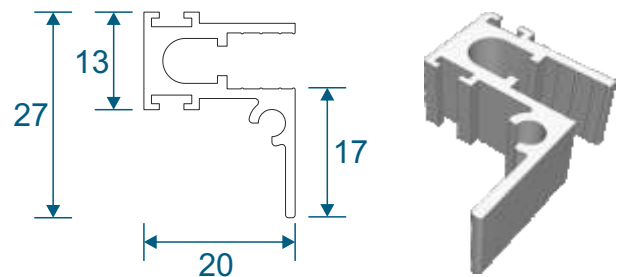
**PVC Retainer Clip**



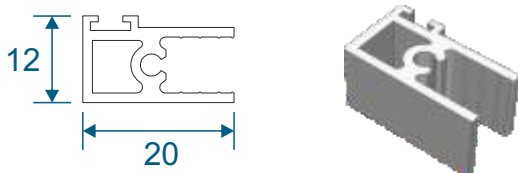
**SG64 - Top Rail (Lift Out)**



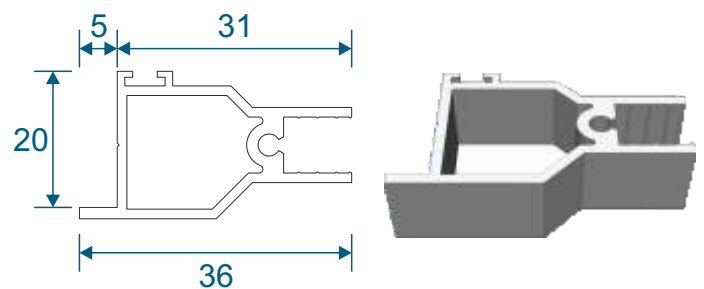
**SG71 - Bottom Rail Handle (Lift Out)**



**SG66 - Panel Sides (Lift Out)**



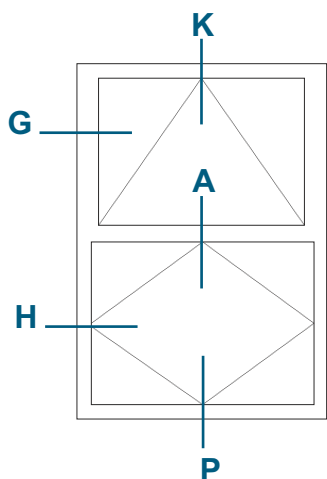
**SG69 - Hinged Sash**



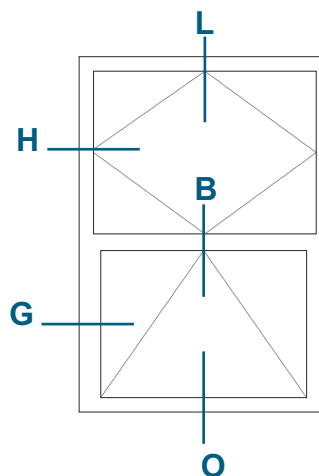
# Section Reference Page

Sections A to F are on page 5  
 Sections G, H, K, L, O & P are on page 6

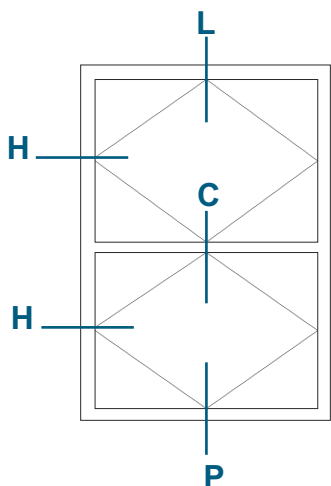
**Hinged Over Lift Out**



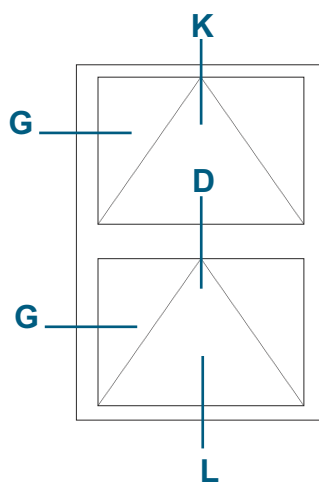
**Lift Out Over Hinged**



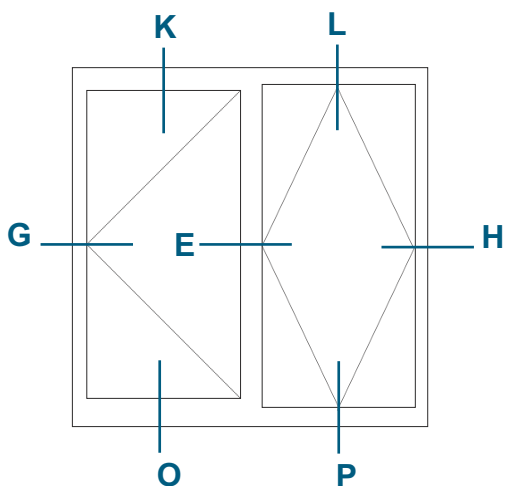
**Lift Out Over Lift Out**



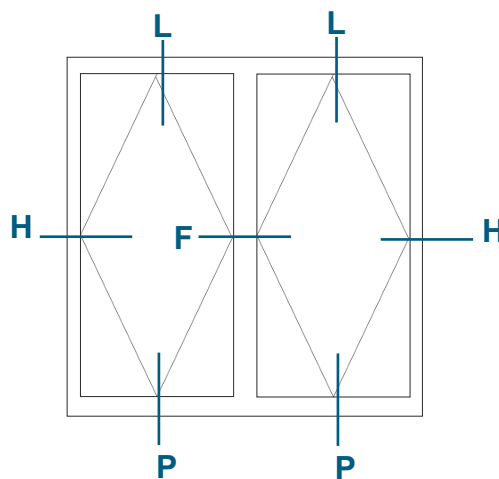
**Hinged Over Hinged**



**Hinged Next To Lift Out**

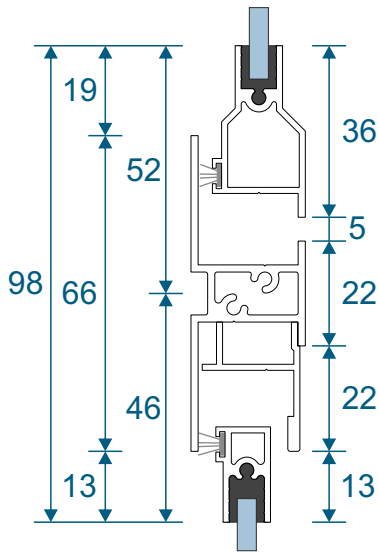


**Lift Out Next To Lift Out**

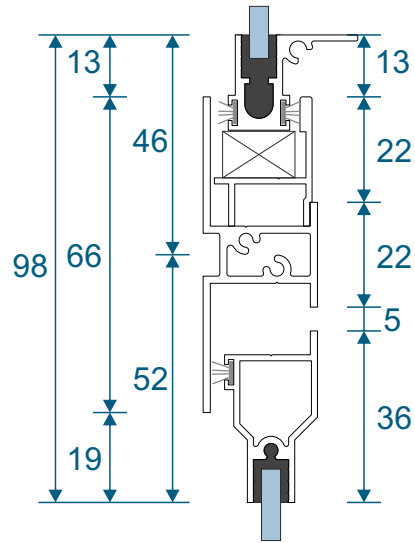


# Transom / Mullion Sections

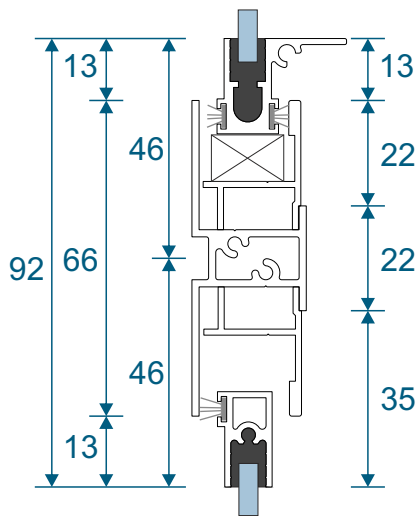
**A - Hinged Over Lift Out**



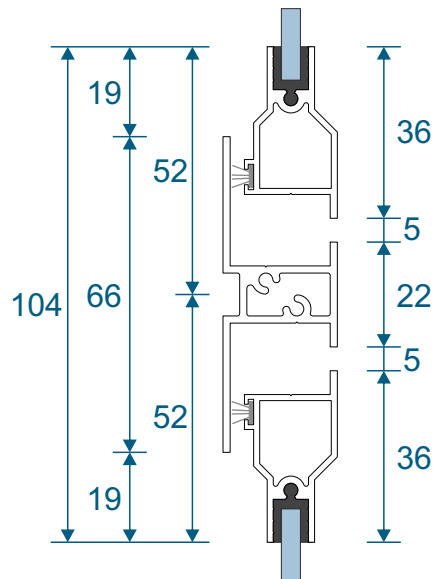
**B - Lift Out Over Hinged**



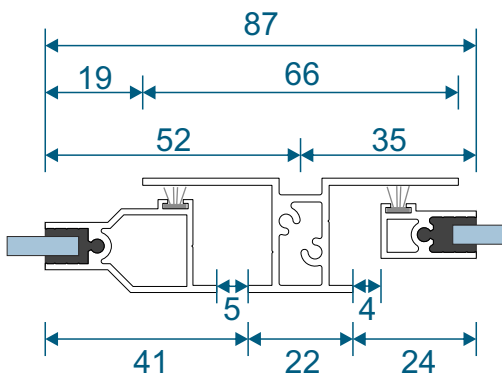
**C - Lift Out Over Lift Out**



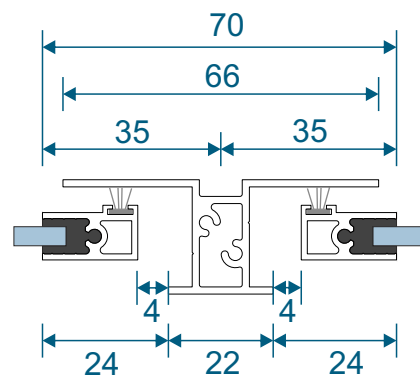
**D - Hinged Over Hinged**



**E - Hinged Next To Lift Out**

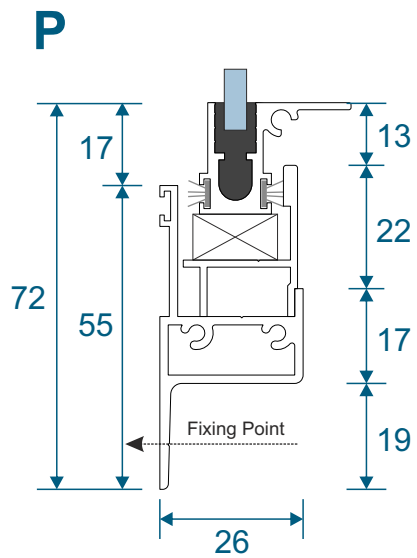
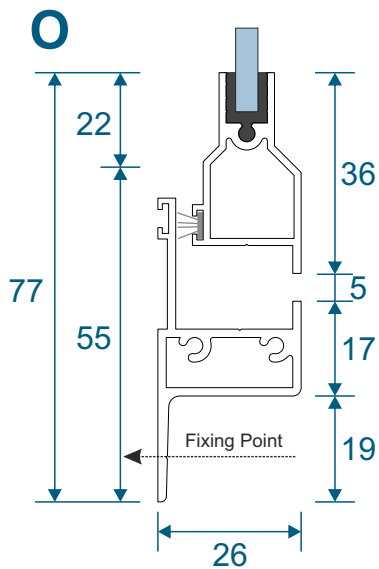
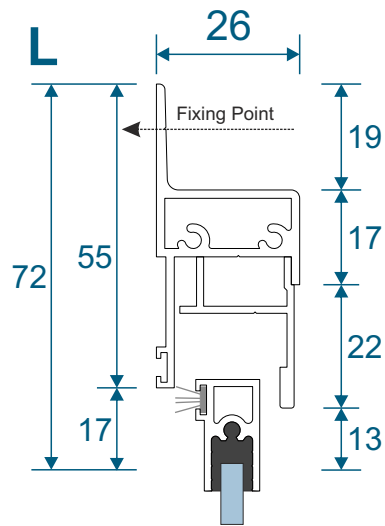
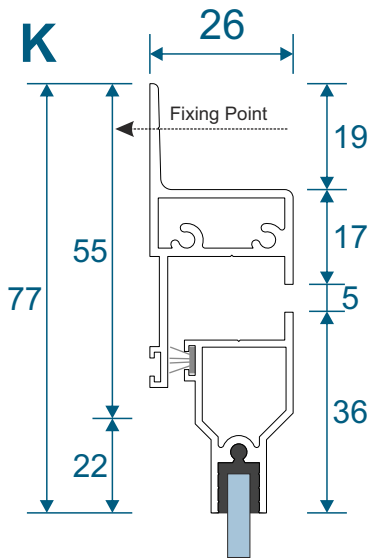
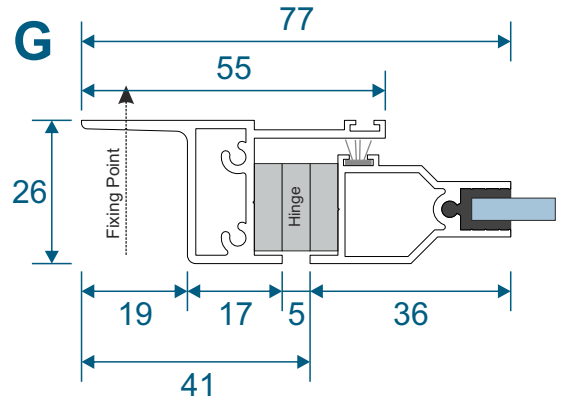
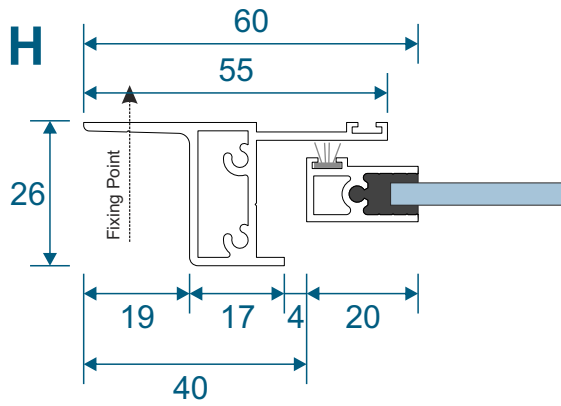


**F - Lift Out Next To Lift Out**



# Frame Sections

## Face Fix



### **Main Office & Factory**

Units 4-5,                    t: 01268 681612 (20 lines)  
Charfleets Road,        f: 01268 510058  
Canvey Island,         e: sales@duration.co.uk  
Essex. SS8 0PQ        w: www.duration.co.uk

### **Grand Design Exhibition Centre**

Unit 1 Casino Parade,    t: 01268 695100  
Eastern Esplanade,  
Canvey Island,            SatNav Directions  
Essex. SS8 7FJ            Use: SS8 7DN.