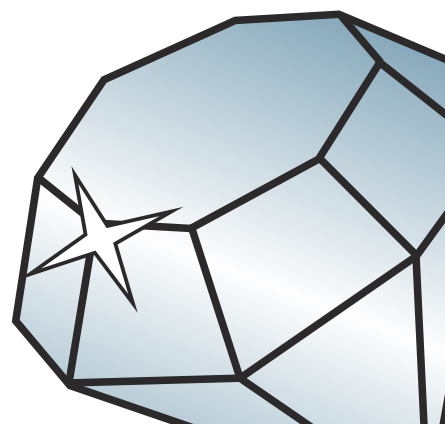


Standard Flat Roof

Section Identification Guide



DURATION
WINDOWS



Contents



Profiles

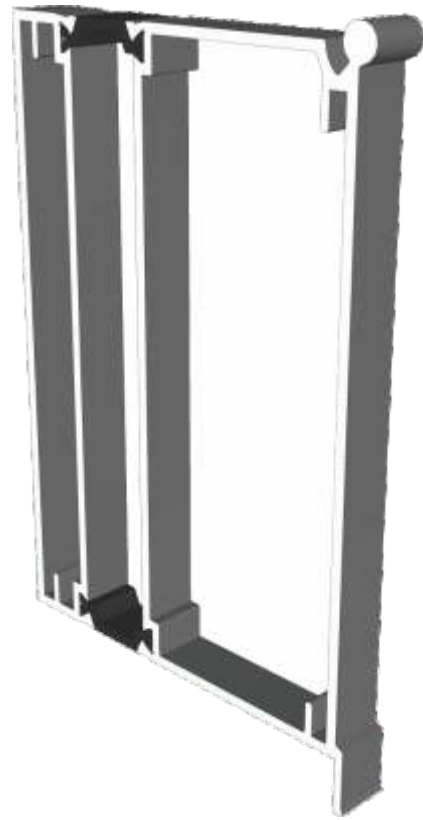
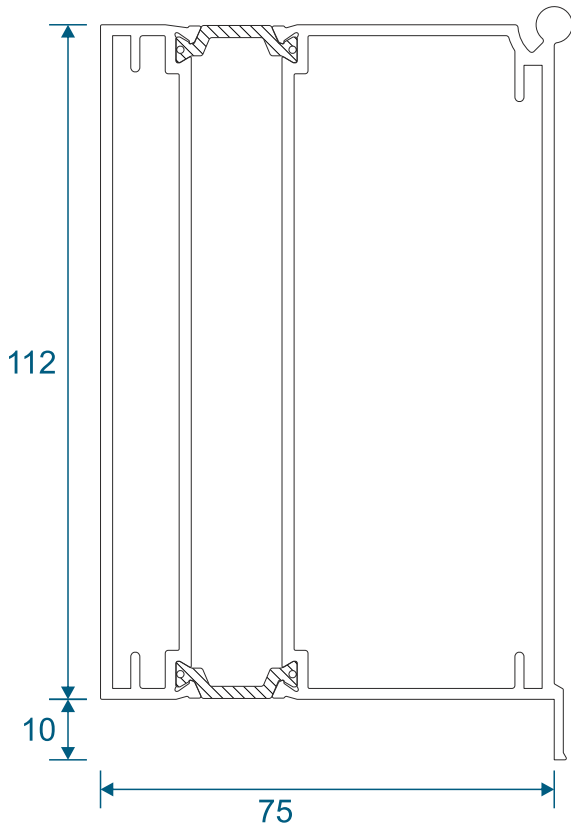
Ring Beam & Rafter Fixing Plates	3
Glazing Rafters	4
Transom, Bead & Trims	5
Roof Vents	6
Gaskets & Infills	7

Section Drawings

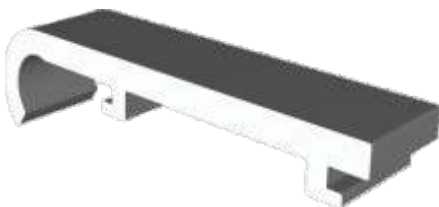
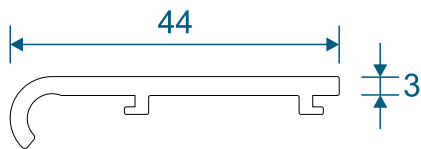
Glazing Rafters	8
Ring Beam	9
Roof Vent	10

Ring Beam & Rafter Fixing Plate

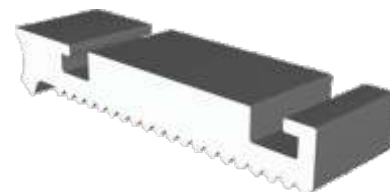
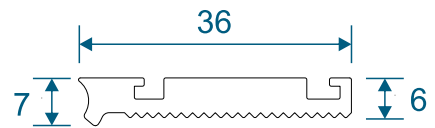
ABD240-241 - 75mm Ring Beam



ABD234 - Rafter to Ring Beam Fixing Plate

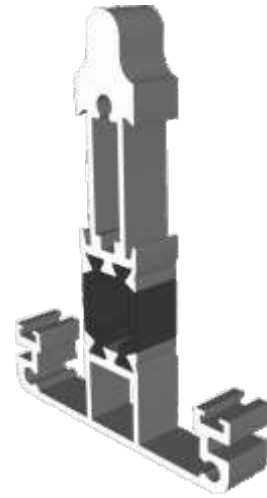
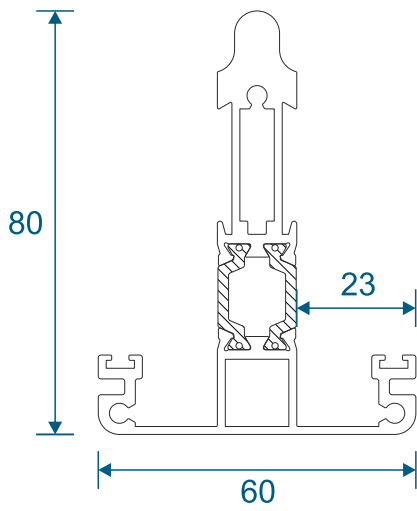


ABD242 - Rafter to Ring Beam Slide Plate

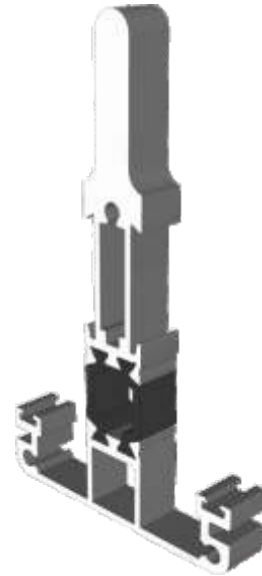
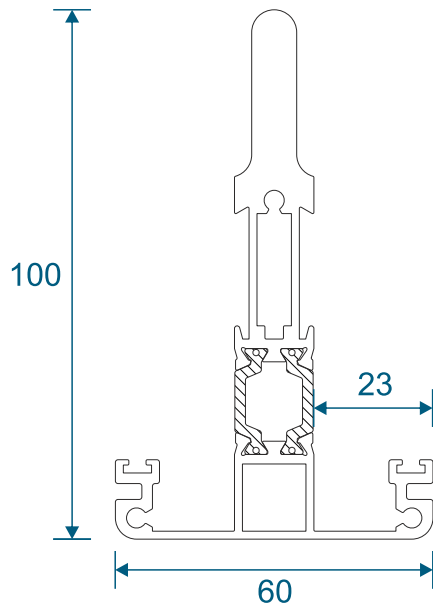


Glazing Rafter

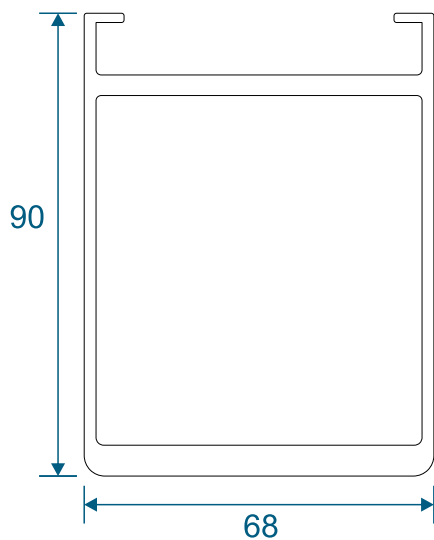
ABD200-201 - Light Duty Rafter (Glazing Bar)



ABD200-202 - Heavy Duty Rafter (Glazing Bar)

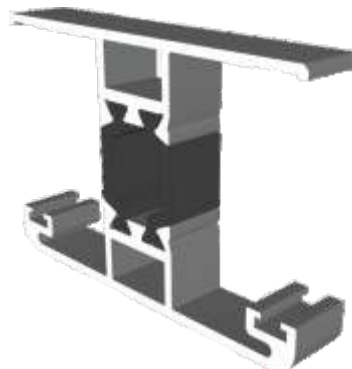
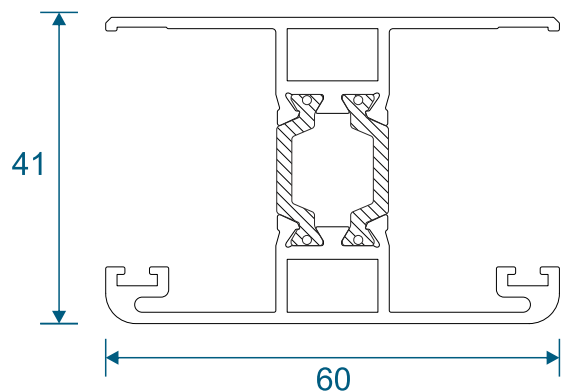


ABD206 - Rafter Extender (Bolster Bar)

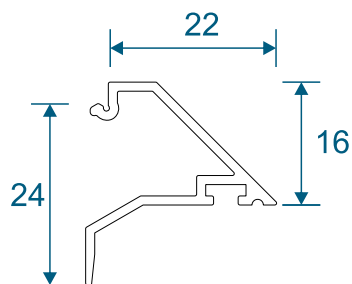


Transom Bead & Trims

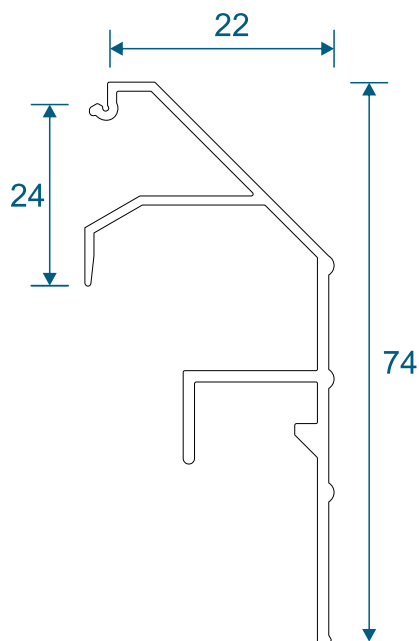
ABD203-204 - Transom



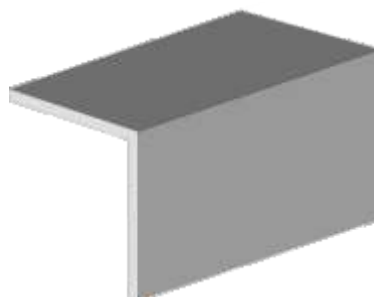
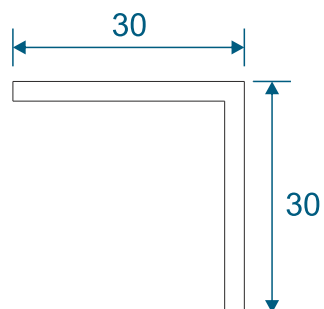
ABD210 - 28mm Bead



ABD212 - Rafter End Trim

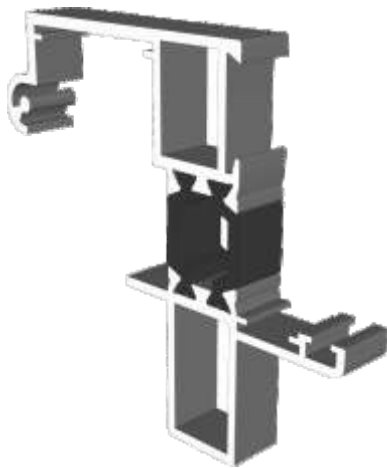
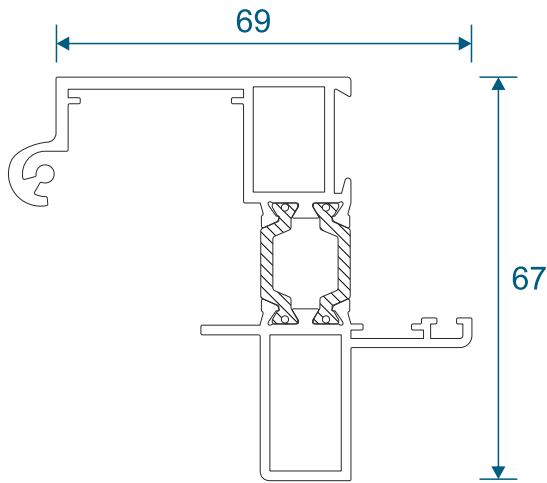


ABD140 - Glazed Unit End Trim

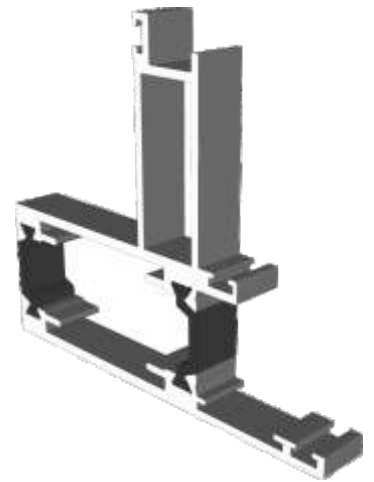
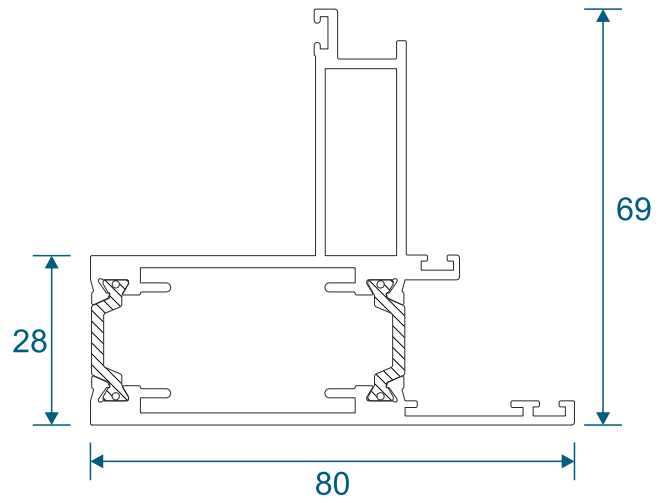


Roof Vents

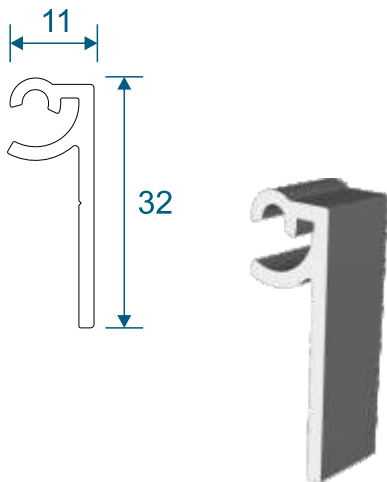
ABD232-233 - Roof Vent Sash



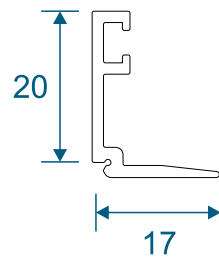
ABD230-231 - Roof Vent Frame



ABD245 - Roof Vent Hinge

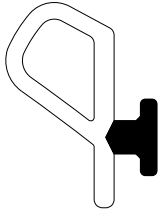


ABD246 - Roof Vent Glazing Bead



Gaskets & Infills

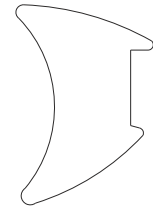
ABD366 - Bead Gasket



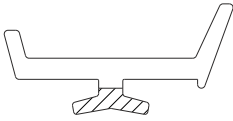
ABD302 - 28mm Wedge



ABD301 - 25mm Wedge



ABD303 - Retained Gasket

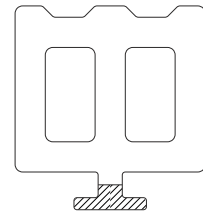


ABD305 - 28mm Wedge

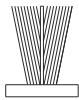
For Transom



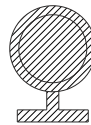
ABD308 - End Infill Gasket



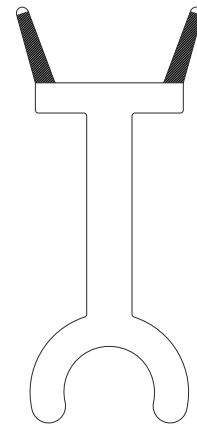
ABD309 -Vent Wool Pile



ABD310 - Vent Weather Seal



ABD248 - Ring Beam Infill

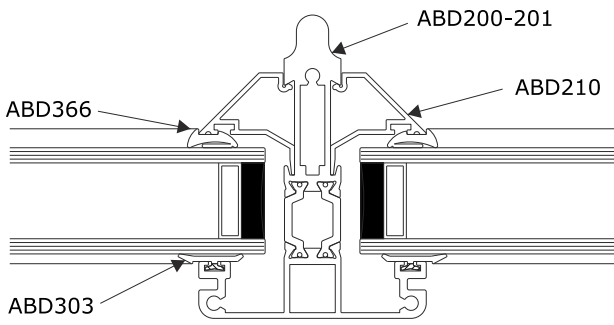


Other Parts

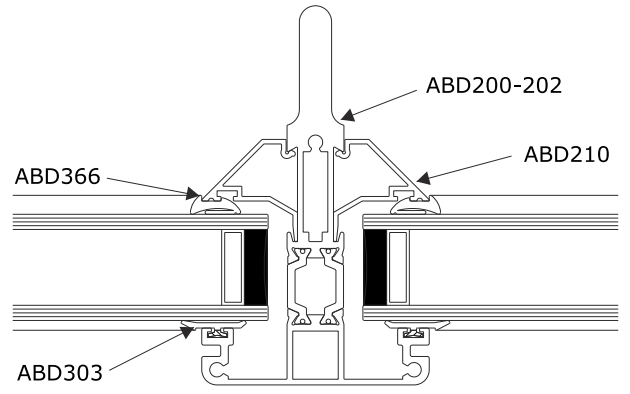
- | | |
|----------------------------------|-----------------|
| ● Ring Beam Clamp Bracket | ADB312 |
| ● Ring Beam Corner Brace | ADB313 / ADB337 |
| ● Light Glazing Bar End Cap | ABD316 |
| ● Heavy Duty Glazing Bar End Cap | ABD317 |
| ● Manual Opener & Telescopic Arm | ABD420 & ABD421 |
| ● Electric Motor | ABD447 |
| ● Rocker Switch | MK4900 |
| ● Rain & Temperature Sensor | C100T |

Glazing Rafter Sections

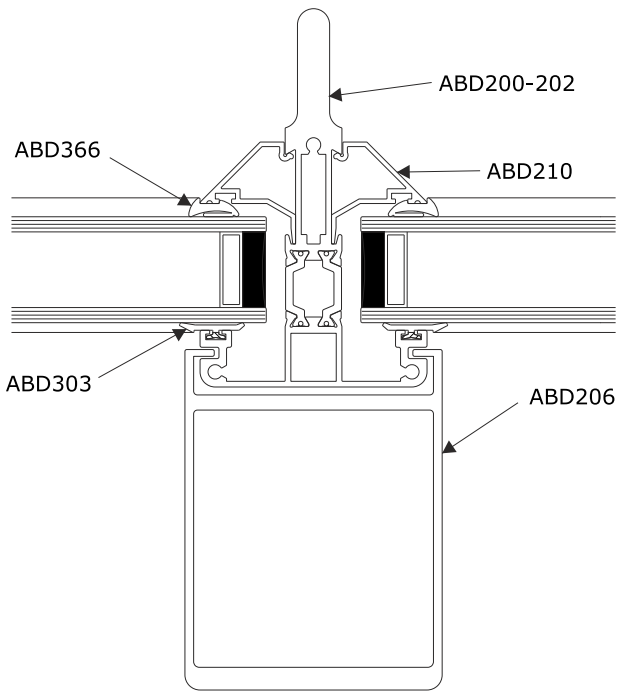
Light Duty Rafter



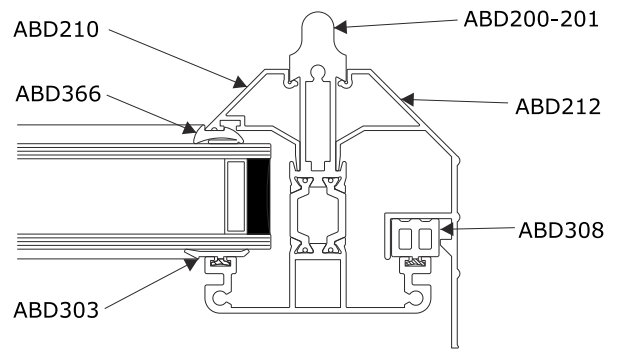
Heavy Duty Rafter



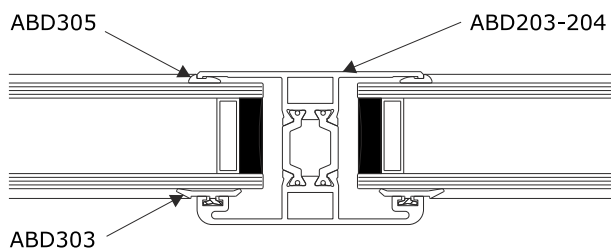
Heavy Duty Rafter With Bolster Bar



Rafter End Bar

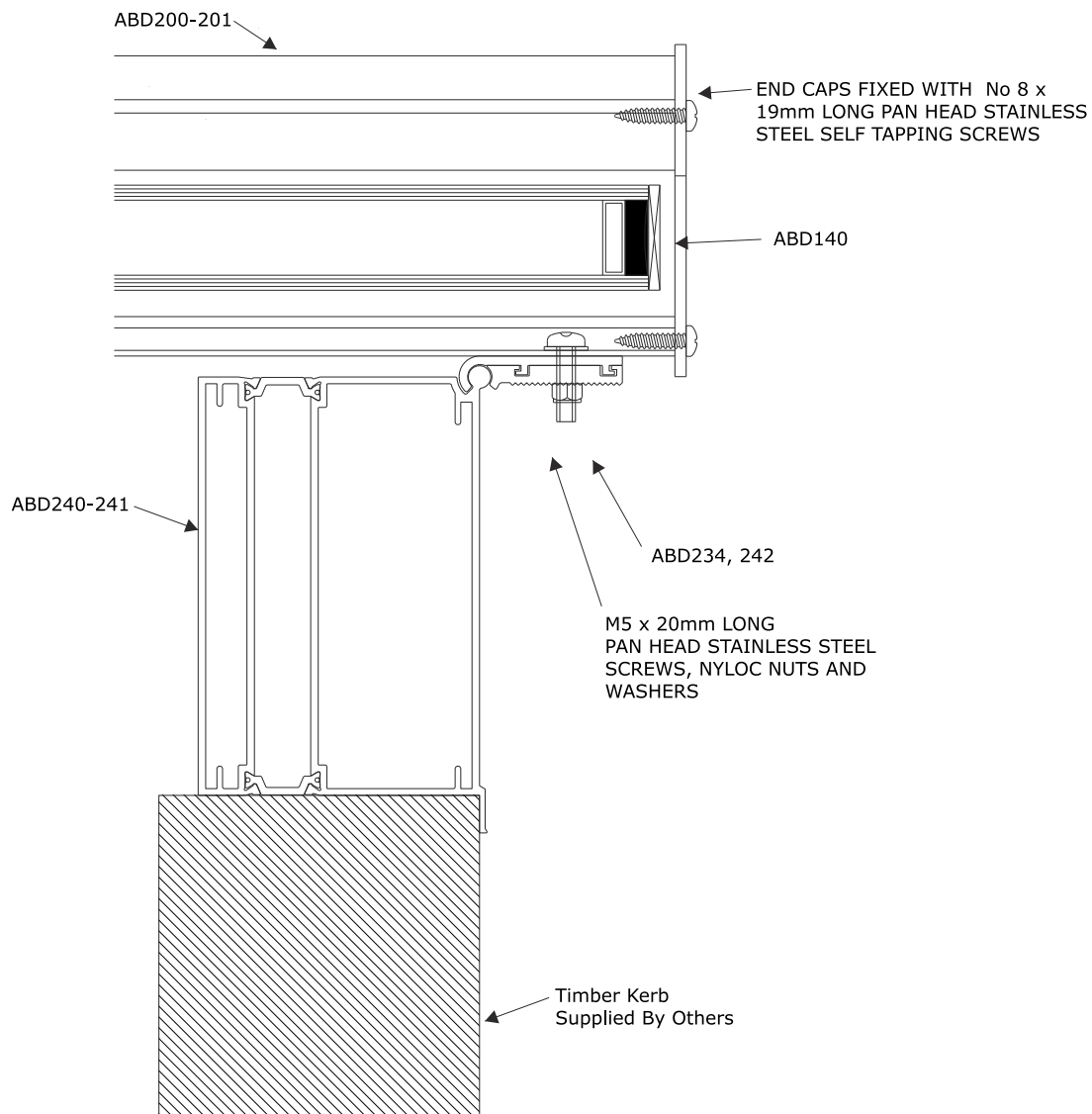


Transom



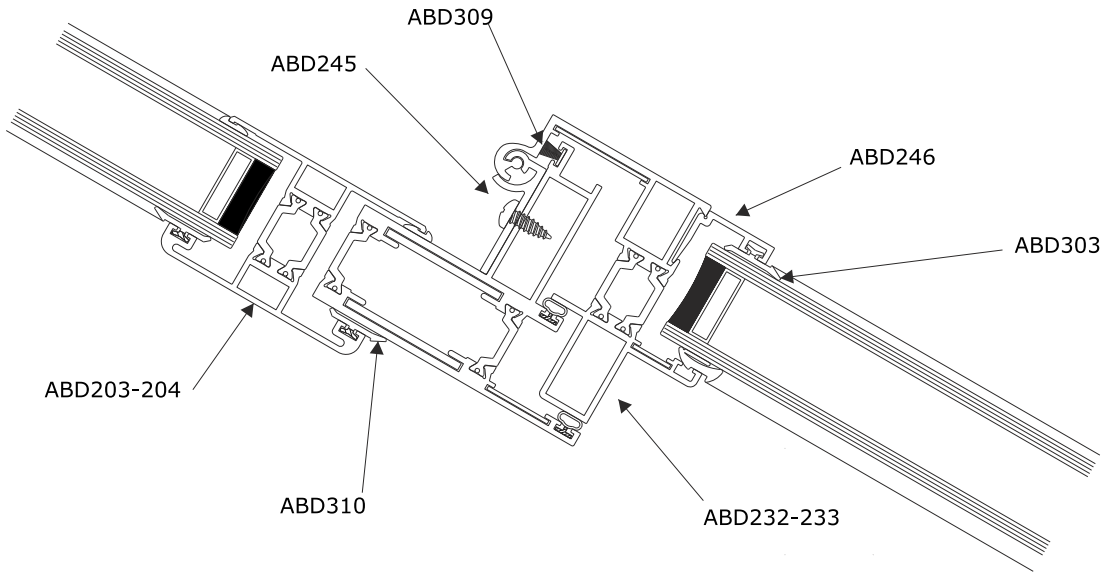
Ring Beam Section

Ring Beam with Rafter Assembly

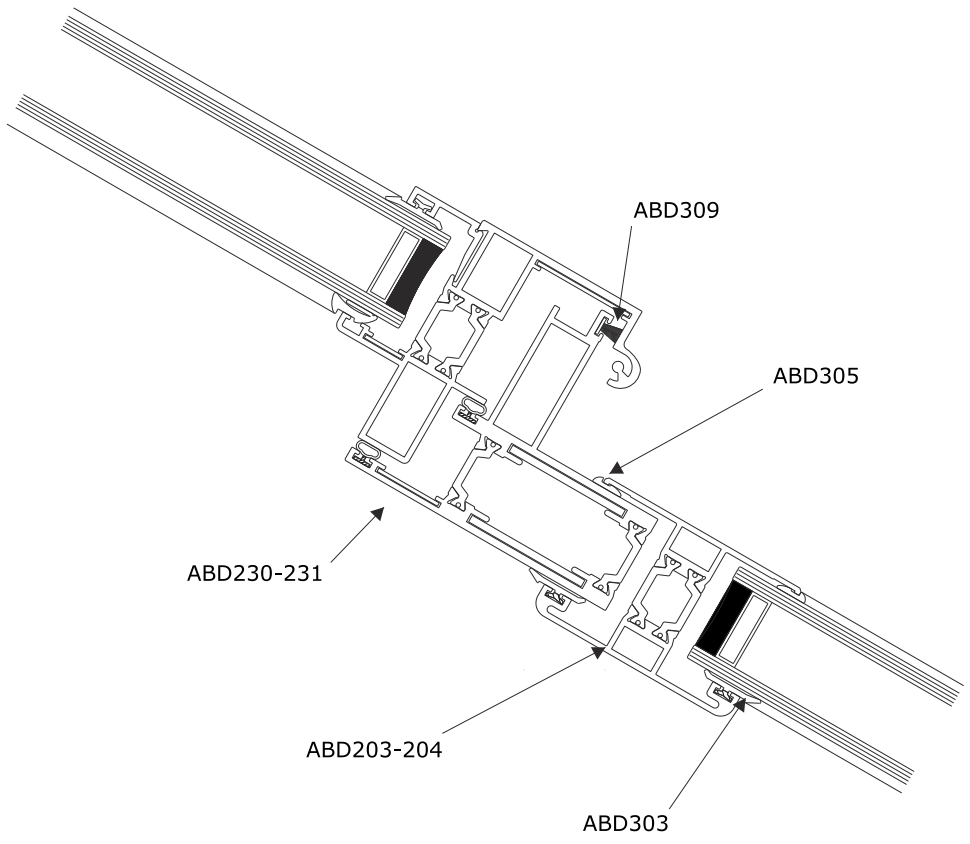


Roof Vent Sections

Top / Hinge End Of Opener



Bottom / Opening End Of Opener



Main Office & Factory

Units 4-5, t: 01268 681612 (20 lines)
Charfleets Road, f: 01268 510058
Canvey Island, e: sales@duration.co.uk
Essex. SS8 0PQ w: www.duration.co.uk

Grand Design Exhibition Centre

Unit 1 Casino Parade, t: 01268 695100
Eastern Esplanade,
Canvey Island, SatNav Directions
Essex. SS8 7FJ Use: SS8 7DN.