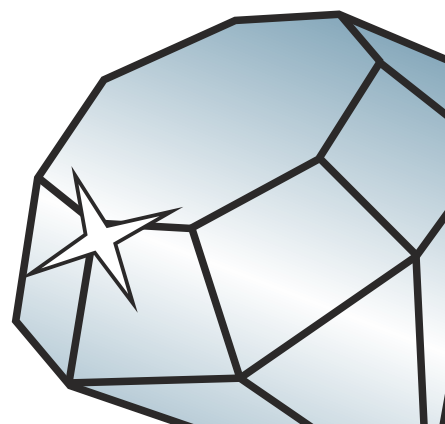


Hipped Roofs

Section Identification Guide



DURATION
WINDOWS



Contents



Profiles

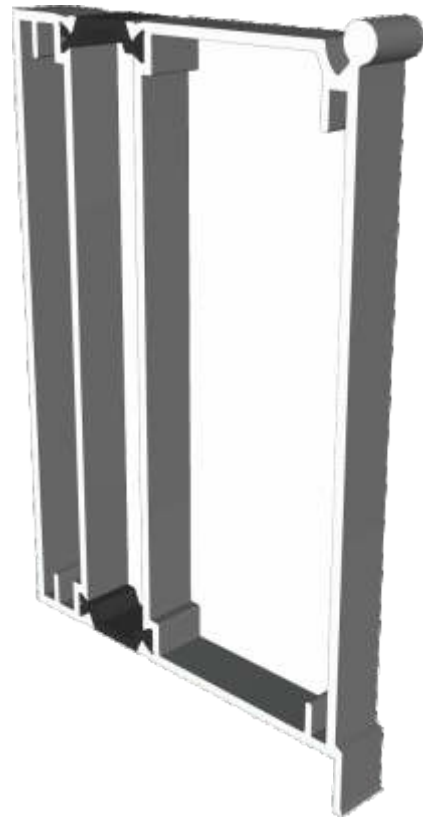
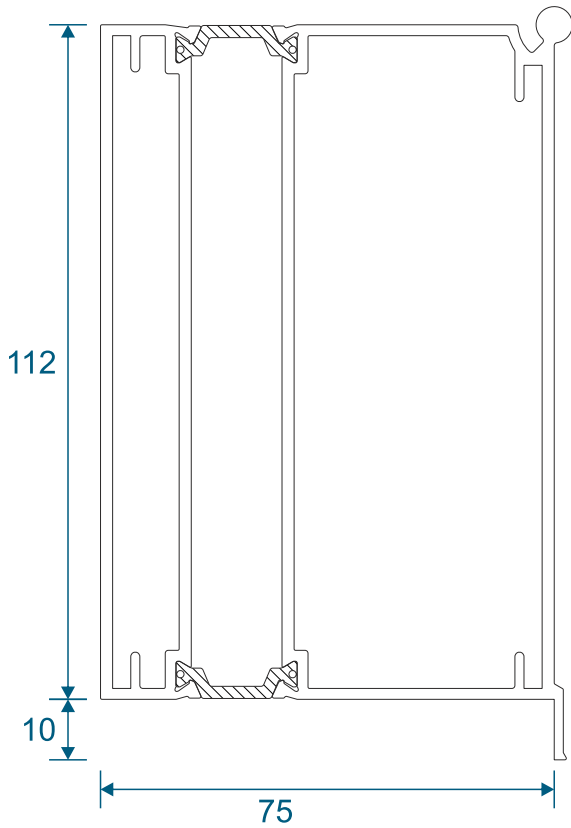
Ring Beam & Rafter Fixing Plates	3
Structural Ring Beam & Adapters	4
Glazing Rafters	5
Jack Rafter, Hip Bars & Hip Wing	6
Hip Covers	7
Ridge & Adapter	8
Transom, Beads & Trims	9
Ridge Covers	10
Tie Bar Kit	11
Roof Vents	12
Gaskets & Infills	13

Section Drawings

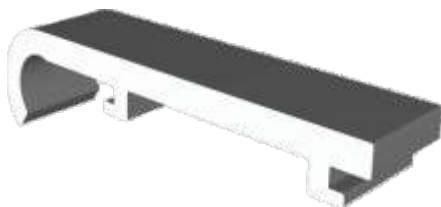
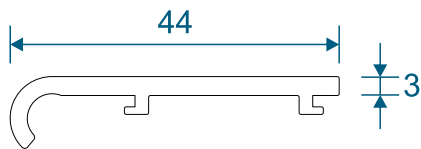
Ridge Section	14
Hips	15
Glazing Rafters	16
Ring Beam	17
Tie Bar Assembly	18
Roof Vents	19

Ring Beam & Rafter Fixing Plate

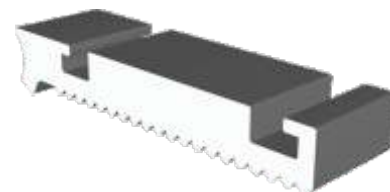
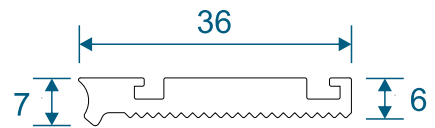
ABD240-241 - 75mm Ring Beam



ABD234 - Rafter to Ring Beam Fixing Plate

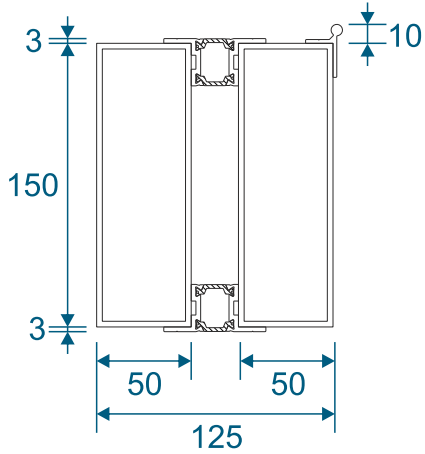


ABD242 - Rafter to Ring Beam Slide Plate

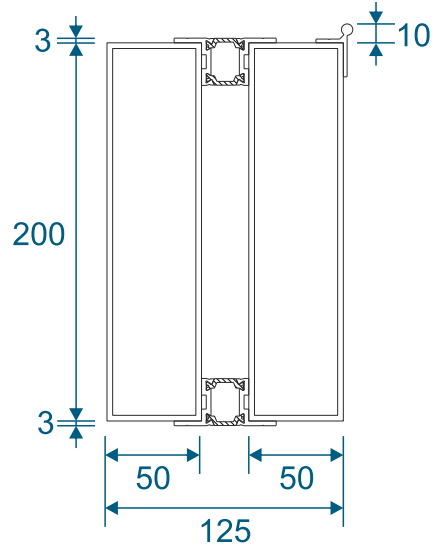


Structural Ring Beams

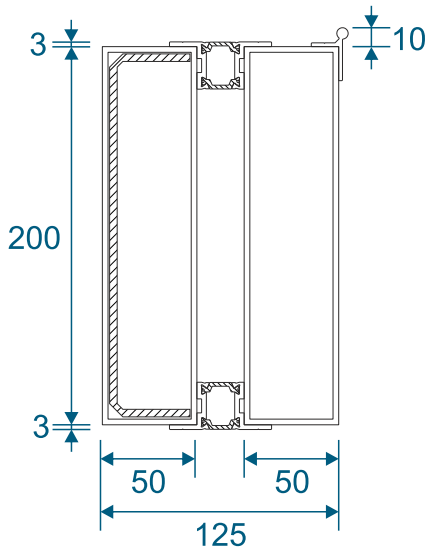
ABD219-219-A - Structural Ring Beam



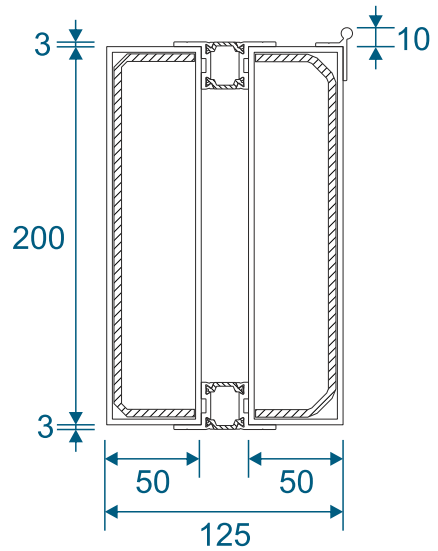
ABD219-219-B - Structural Ring Beam



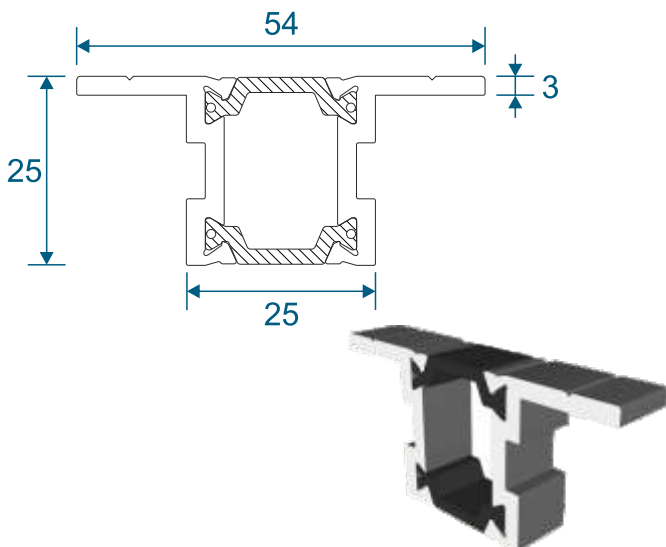
ABD219-219-C - Structural Ring Beam



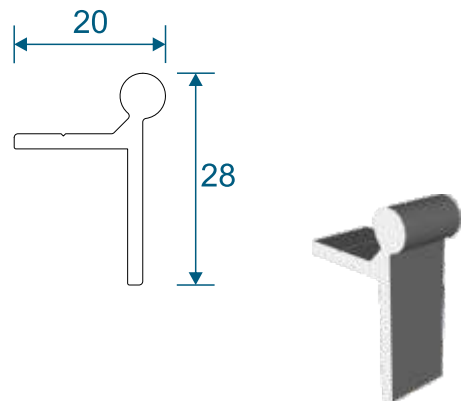
ABD219-219-D - Structural Ring Beam



ABD219-219 - Ring Beam Adapter

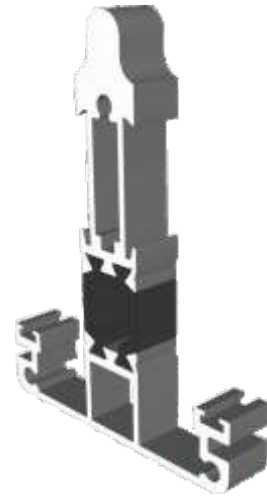
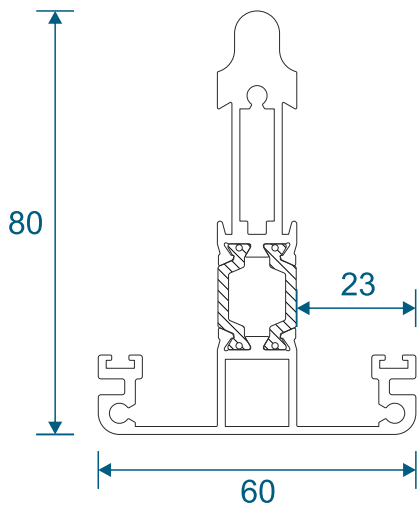


ABD209 - Ring Beam Support

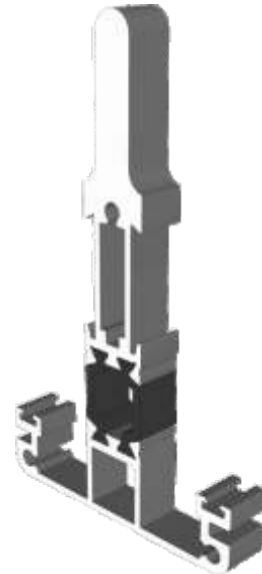
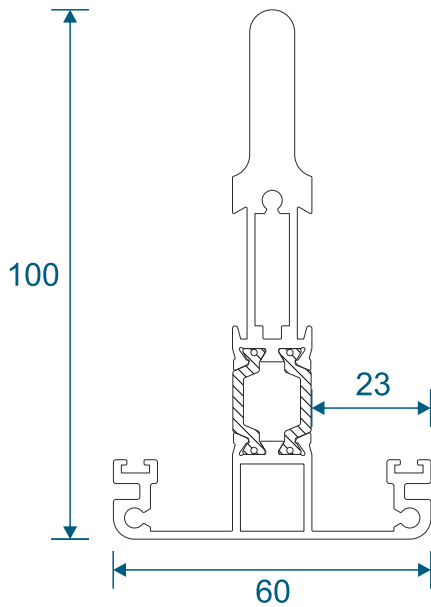


Glazing Rafter

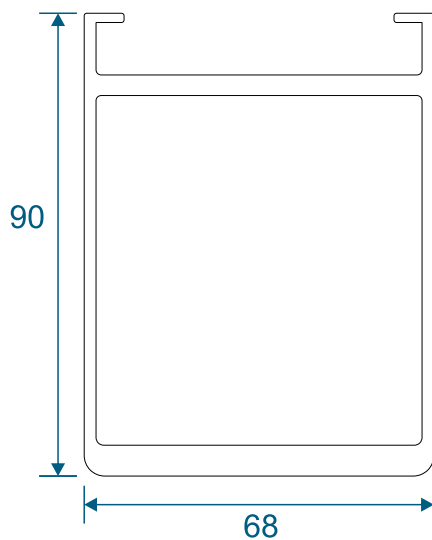
ABD200-201 - Light Duty Rafter (Glazing Bar)



ABD200-202 - Heavy Duty Rafter (Glazing Bar)

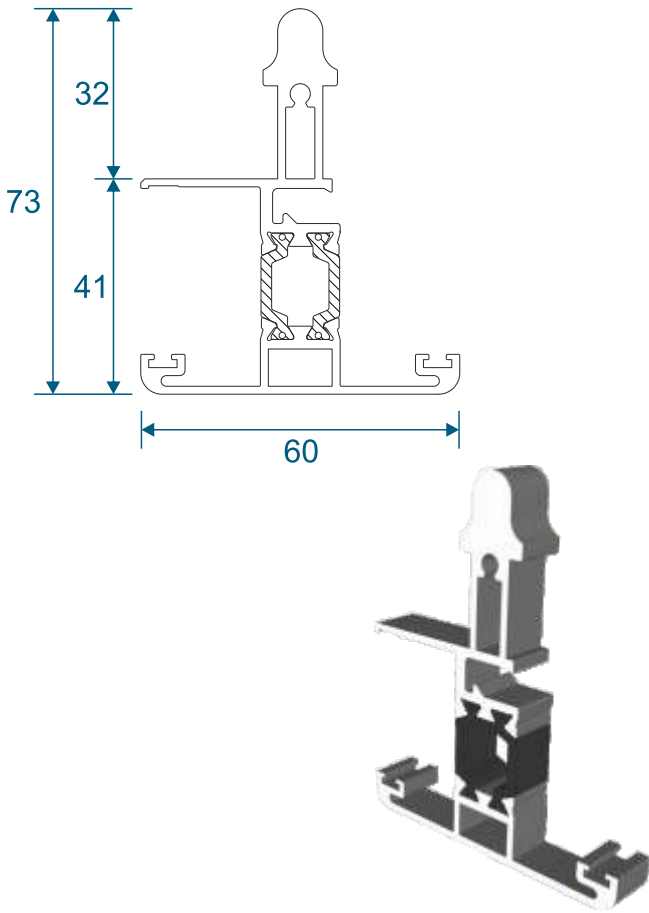


ABD206 - Rafter Extender (Bolster Bar)

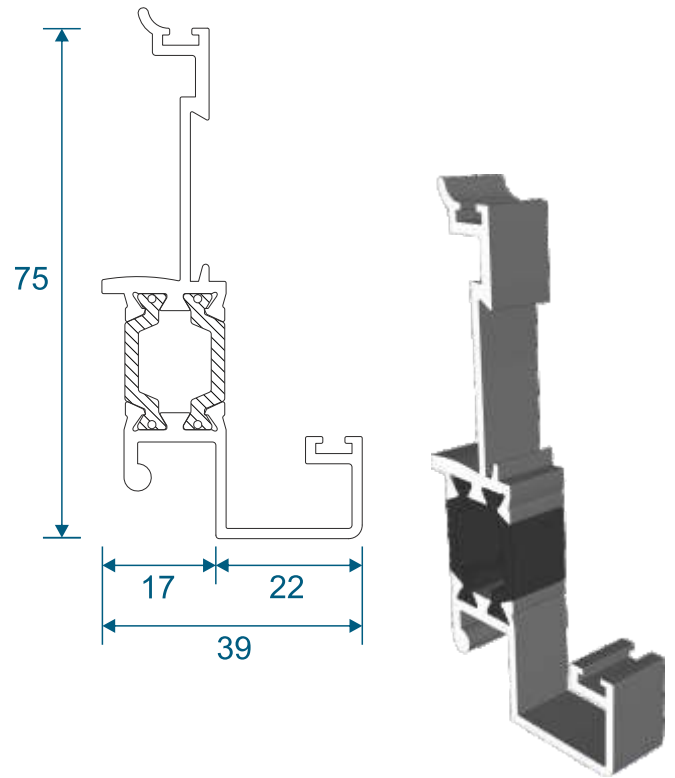


Jack Rafter, Hip Bars & Hip Wing

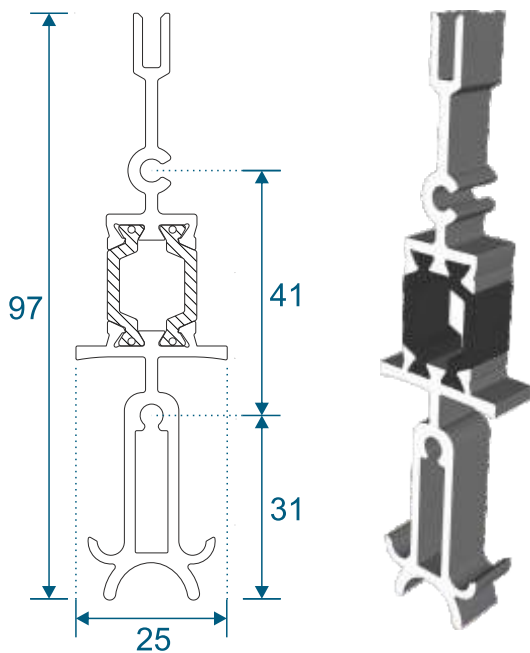
ABD203-205 - Jack Rafter (Glazing Bar)



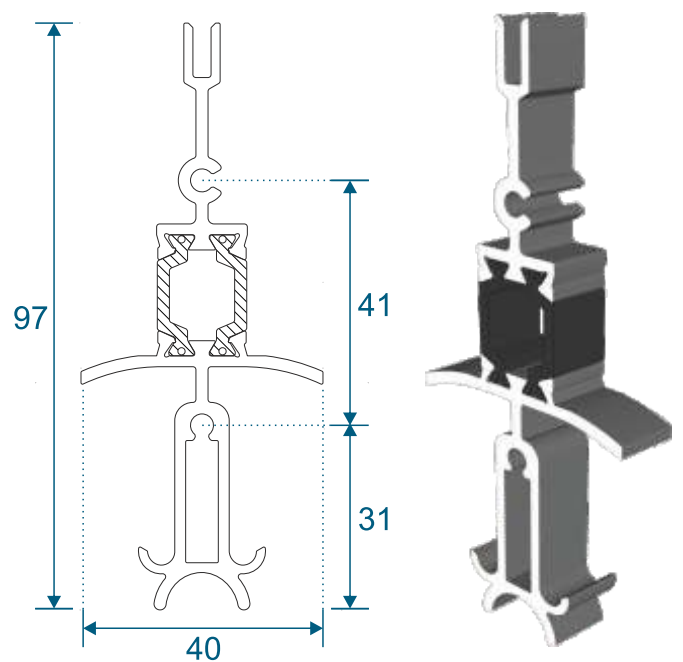
ABD217-218 - Hip Wing



ABD214-215 - Hip Bar (15° to 25°)

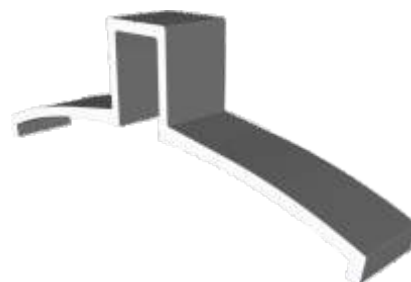
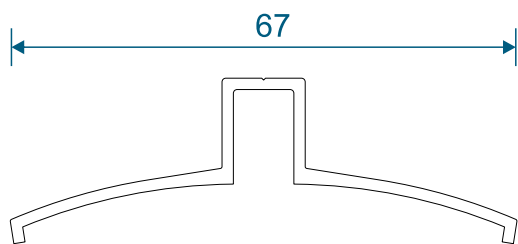


ABD214-216 - Hip Bar (30° to 45°)

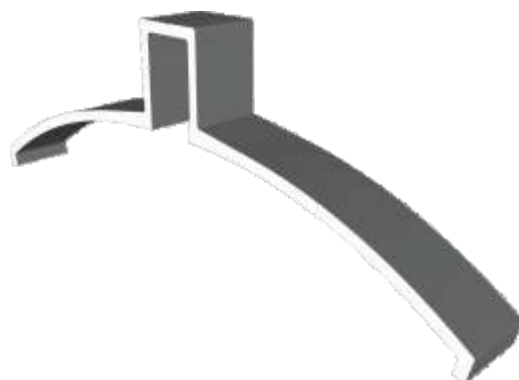
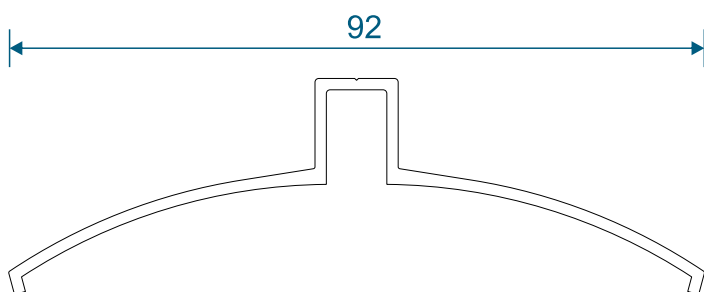


Hip Covers

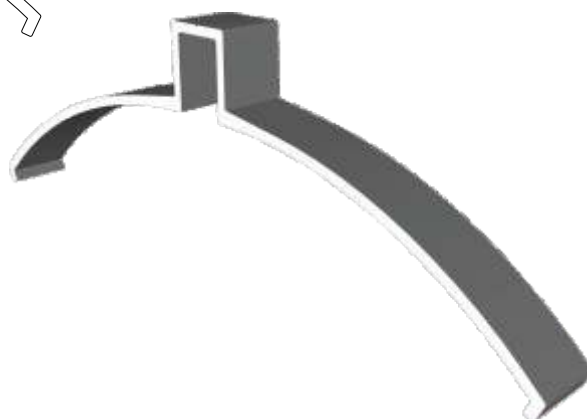
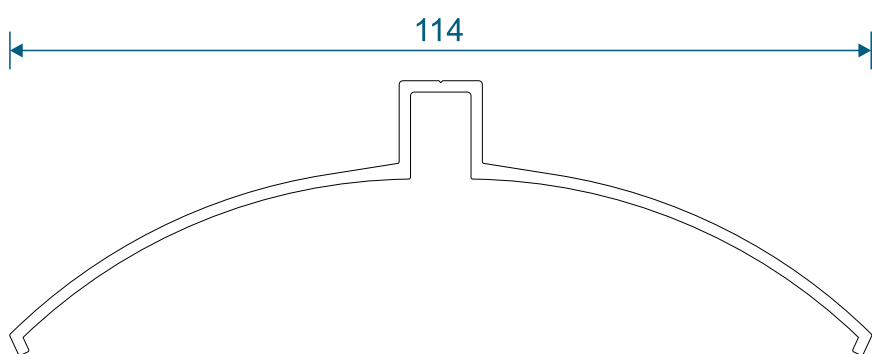
ABD254 - Hip Cover



ABD255 - Hip Cover

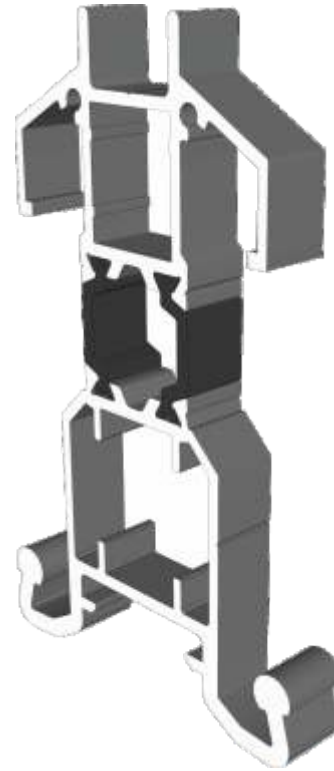
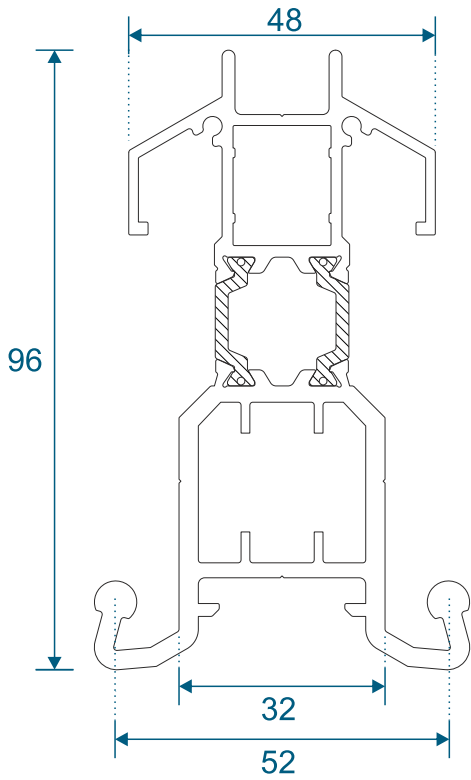


ABD207 - Hip Cover

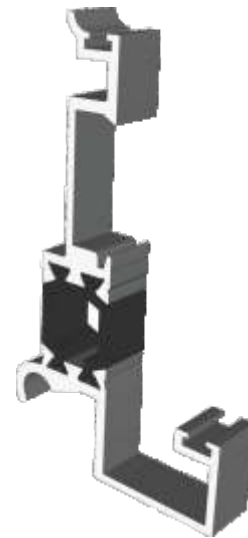
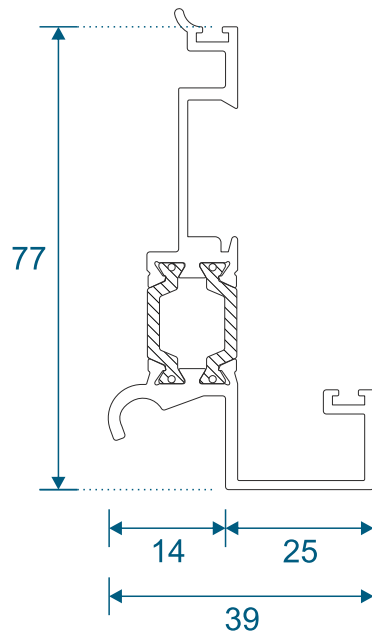


Ridge & Adapter

ABD222-223 - Ridge

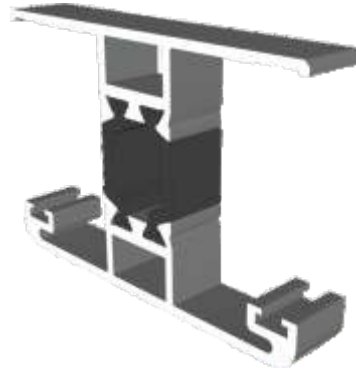
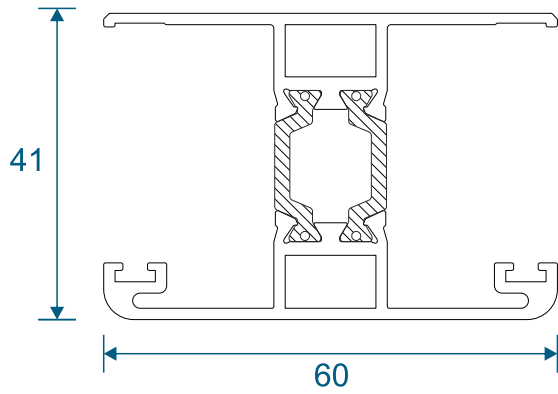


ABD224-225 - Wall Plate Adapter

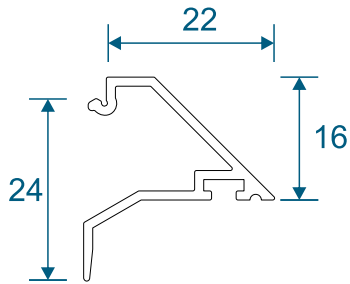


Transom, Beads & Trims

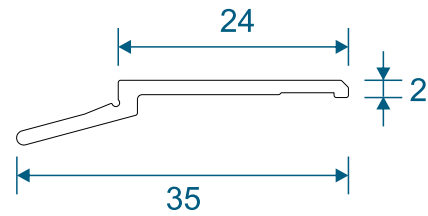
ABD203-204 - Transom



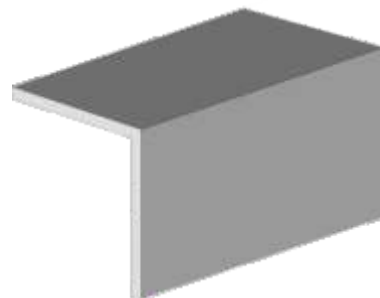
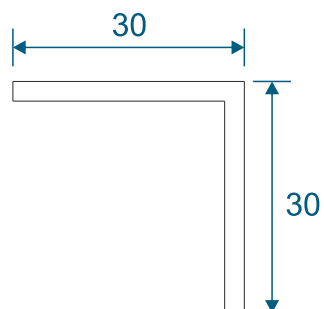
ABD210 - 28mm Bead



ABD244 - Glazing Bead For Jack Rafter

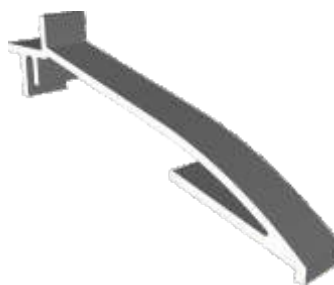
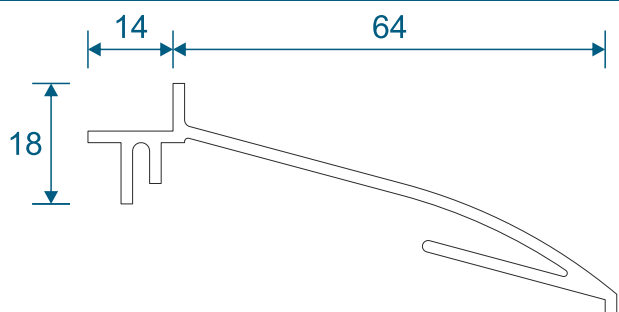


ABD140 - Glazed Unit End Trim

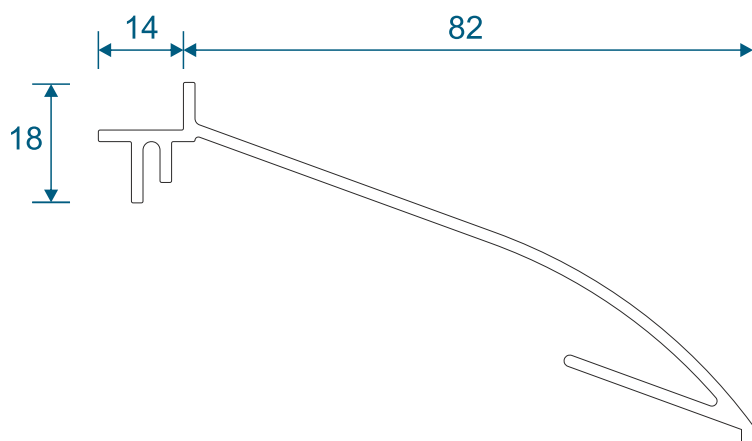


Ridge Covers

ABD243 - 15°, 20° & 25°

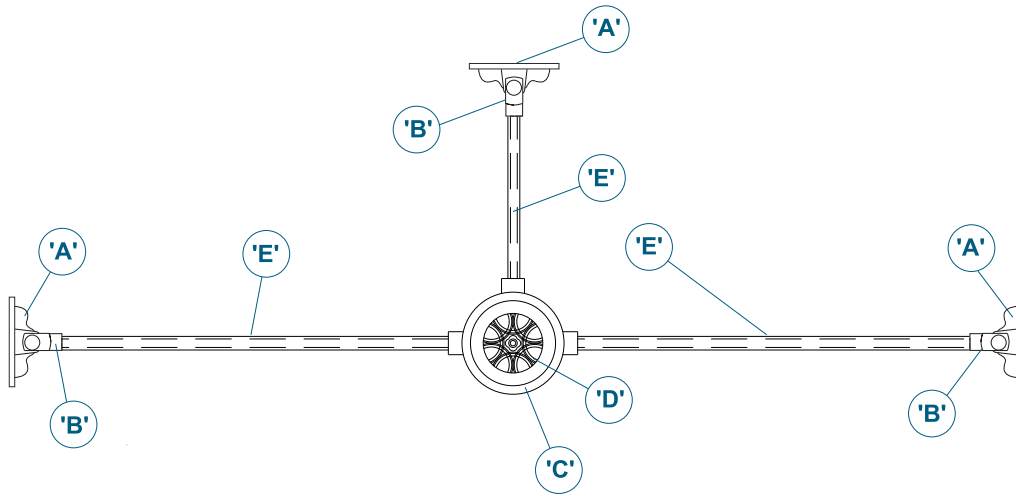


ABD229 - 30°, 35°, 40° & 45°



Tie Bar Kit

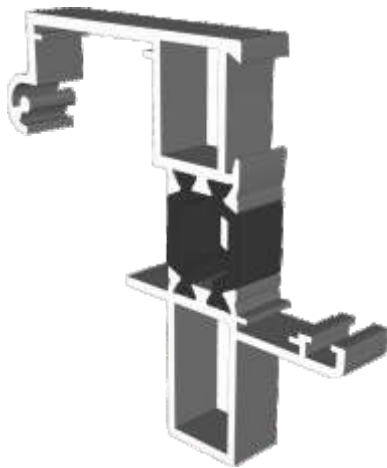
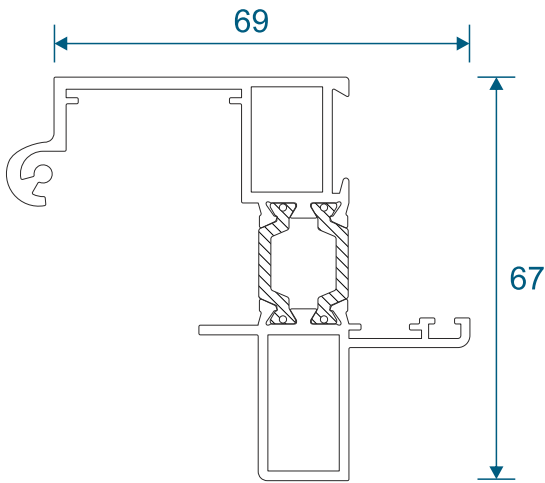
ABD Modern - 3 Way Tie Bar Kit



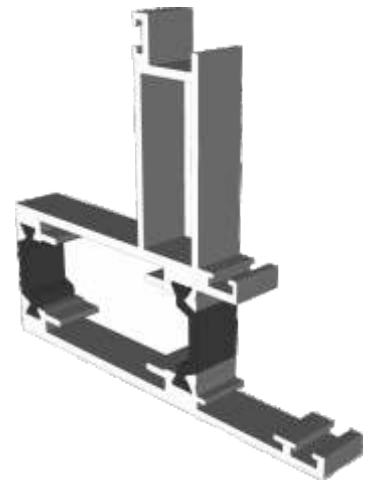
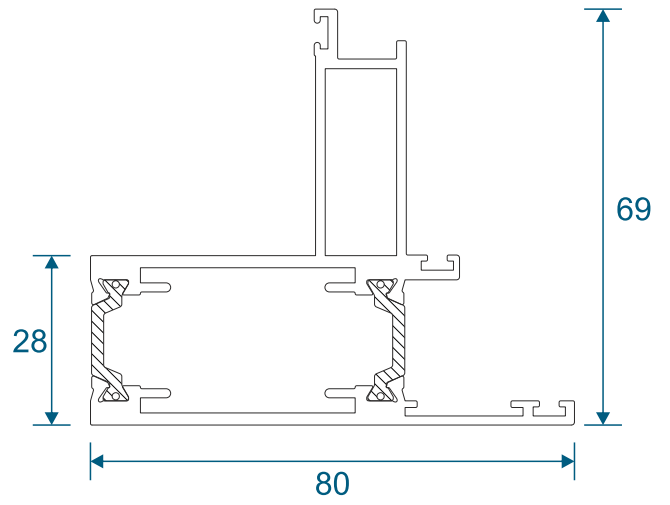
- A) Fixing Lug (x3)
- B) CCS015 Steel Clevis (x3)
- C) CCS013 90° Centre Boss (x1)
- D) Cover Discs (x2)
- E) Tie rods (tubes and threaded rod) lengths cut on site to suit conservatory width & slope (x3)

Roof Vents

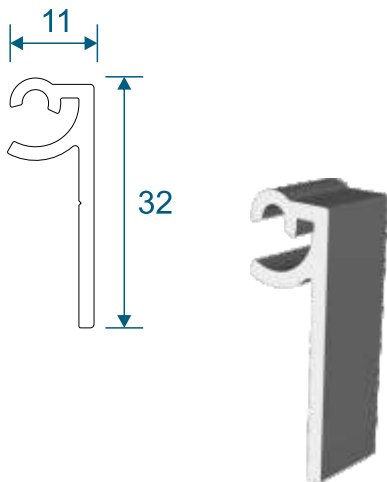
ABD232-233 - Roof Vent Sash



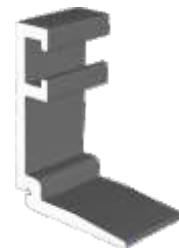
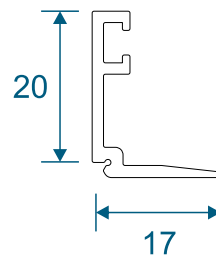
ABD230-231 - Roof Vent Frame



ABD245 - Roof Vent Hinge

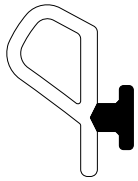


ABD246 - Roof Vent Glazing Bead



Gaskets & Infills

ABD366 - Bead Gasket



ABD302 - 28mm Wedge



ABD301 - 25mm Wedge



ABD304 - 25mm Wedge

For Jack Rafter

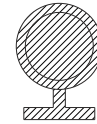


ABD305 - 28mm Wedge

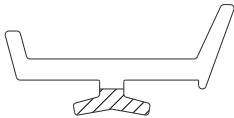
For Transom / Jack Rafter



ABD310 - Vent Weather Seal



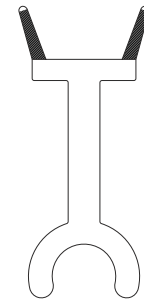
ABD303 - Retained Gasket



ABD309 - Vent Wool Pile



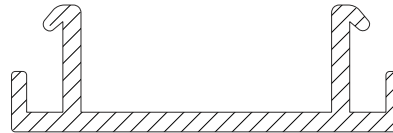
ABD248 - Ring Beam Infill



ABD306 - Weather Strip



ABD307 - Cable Tidy

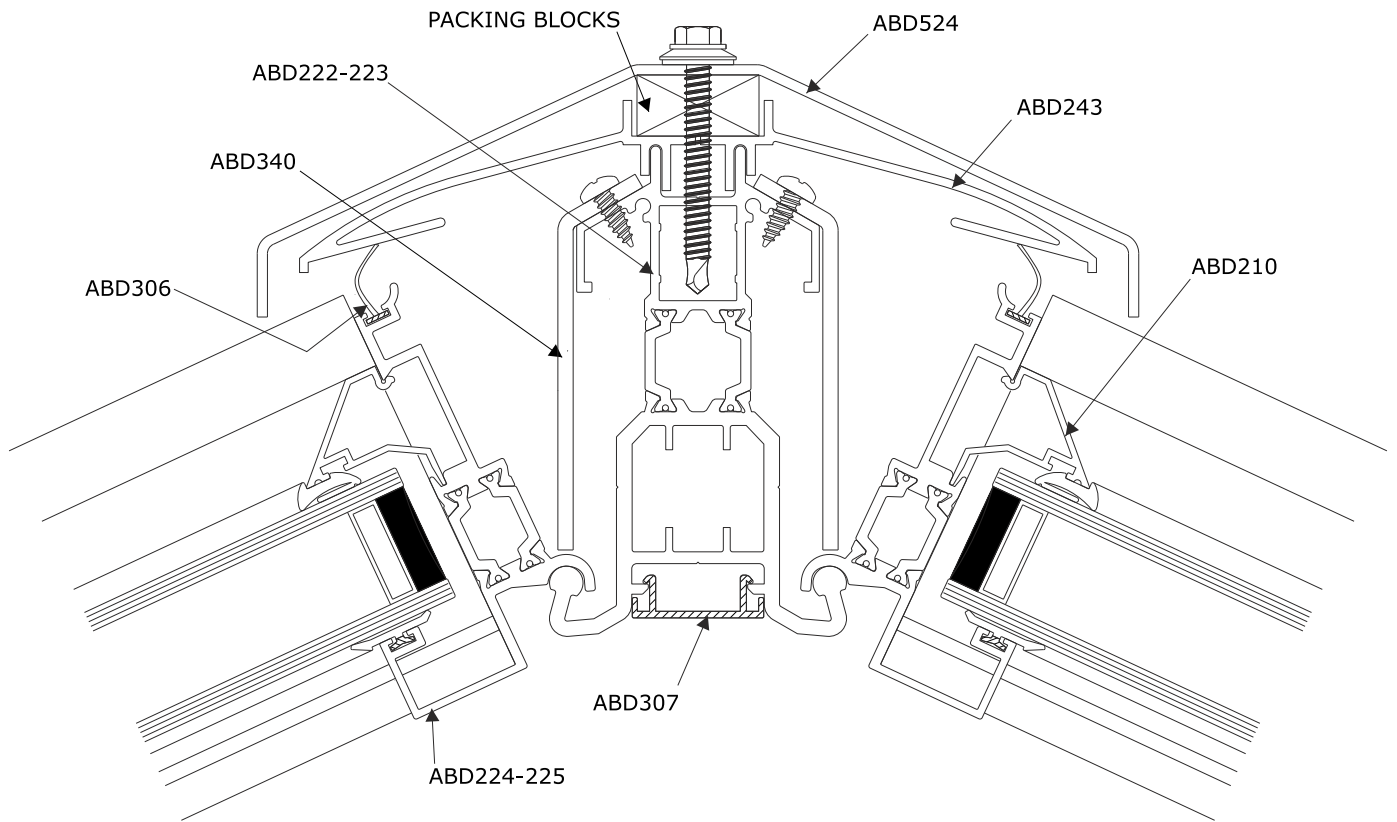


Other Parts

- Ring Beam Clamp Bracket
 - Ring Beam Corner Brace
 - Light Glazing Bar End Cap
 - Heavy Duty Glazing Bar End Cap
 - Hip End Cap
 - Jack Rafter Packer
 - Spider Bracket & Covers
 - Ridge Cover Pressing
 - Retaining Bracket
 - Tee Cleat
 - Manual Opener & Telescopic Arm
 - Electric Motor
 - Rocker Switch
 - Rain & Temperature Sensor
- ADB312
 - ADB313 / ADB337
 - ABD316
 - ABD317
 - ABD318
 - ABD446
 - Job Specific
 - ABD524
 - ABD340
 - ABD208
 - ABD420 & ABD421
 - ABD447
 - MK4900
 - C100T

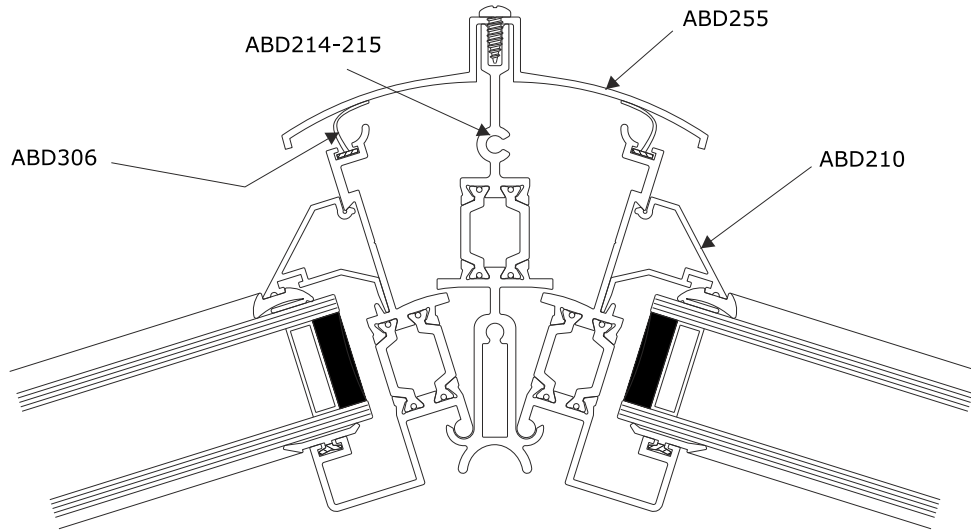
Ridge Section

Ridge Assembly

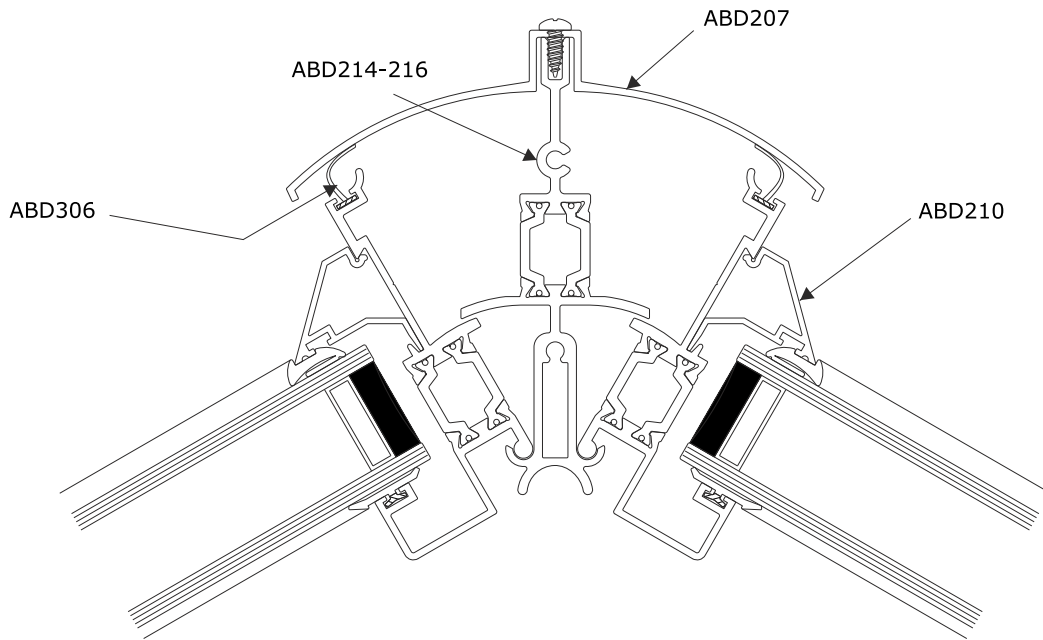


Hip Sections

Hip Assembly Using ABD214-215

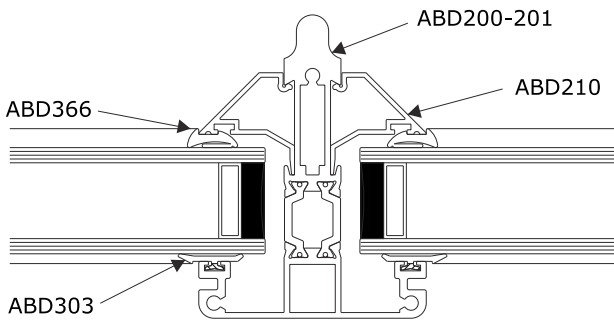


Hip Assembly Using ABD214-216

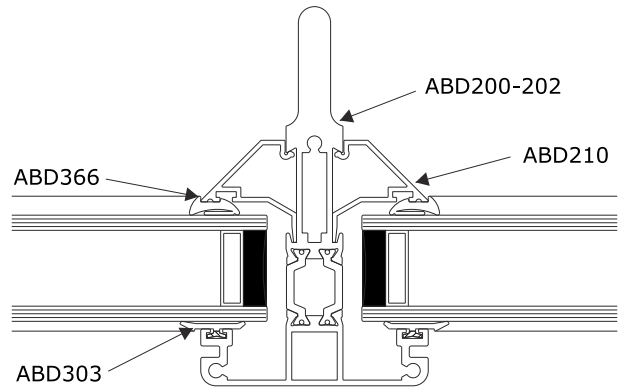


Glazing Rafter Sections

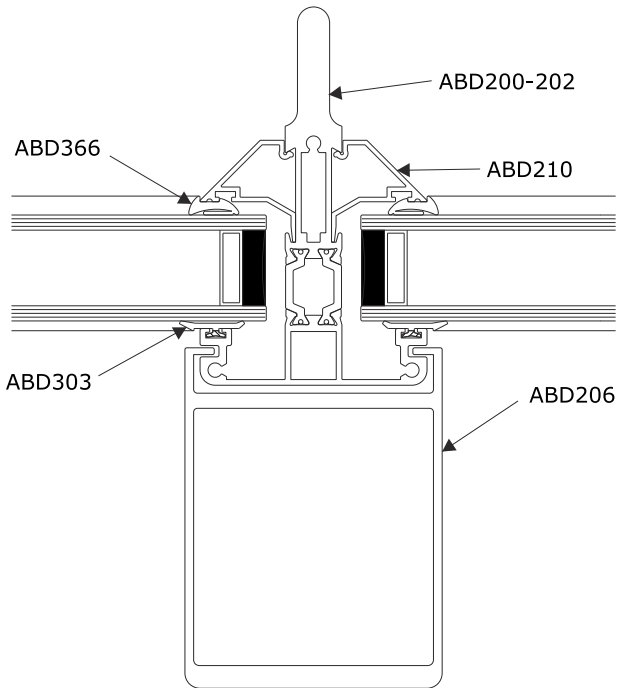
Light Duty Rafter



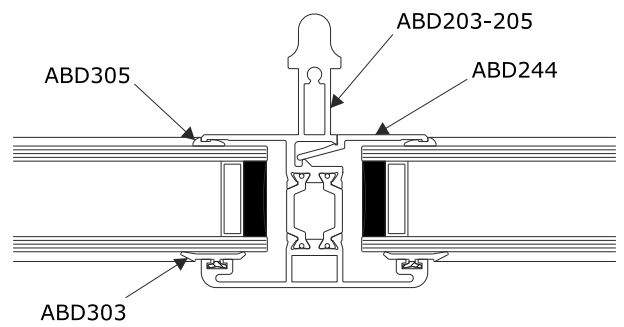
Heavy Duty Rafter



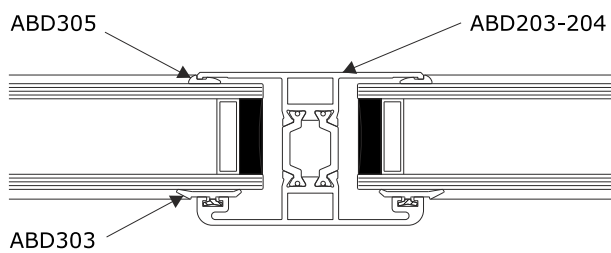
Heavy Duty Rafter With Bolster Bar



Jack Rafter

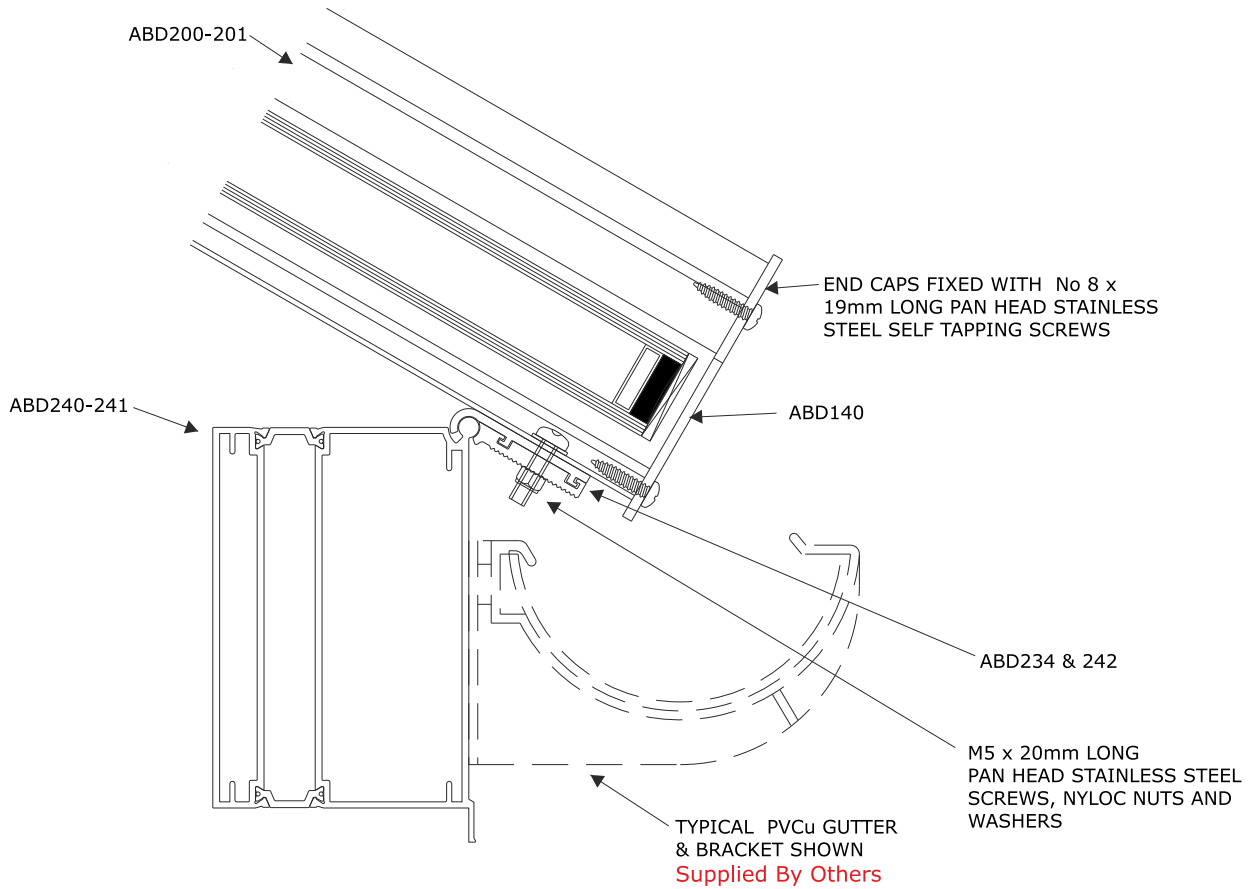


Transom

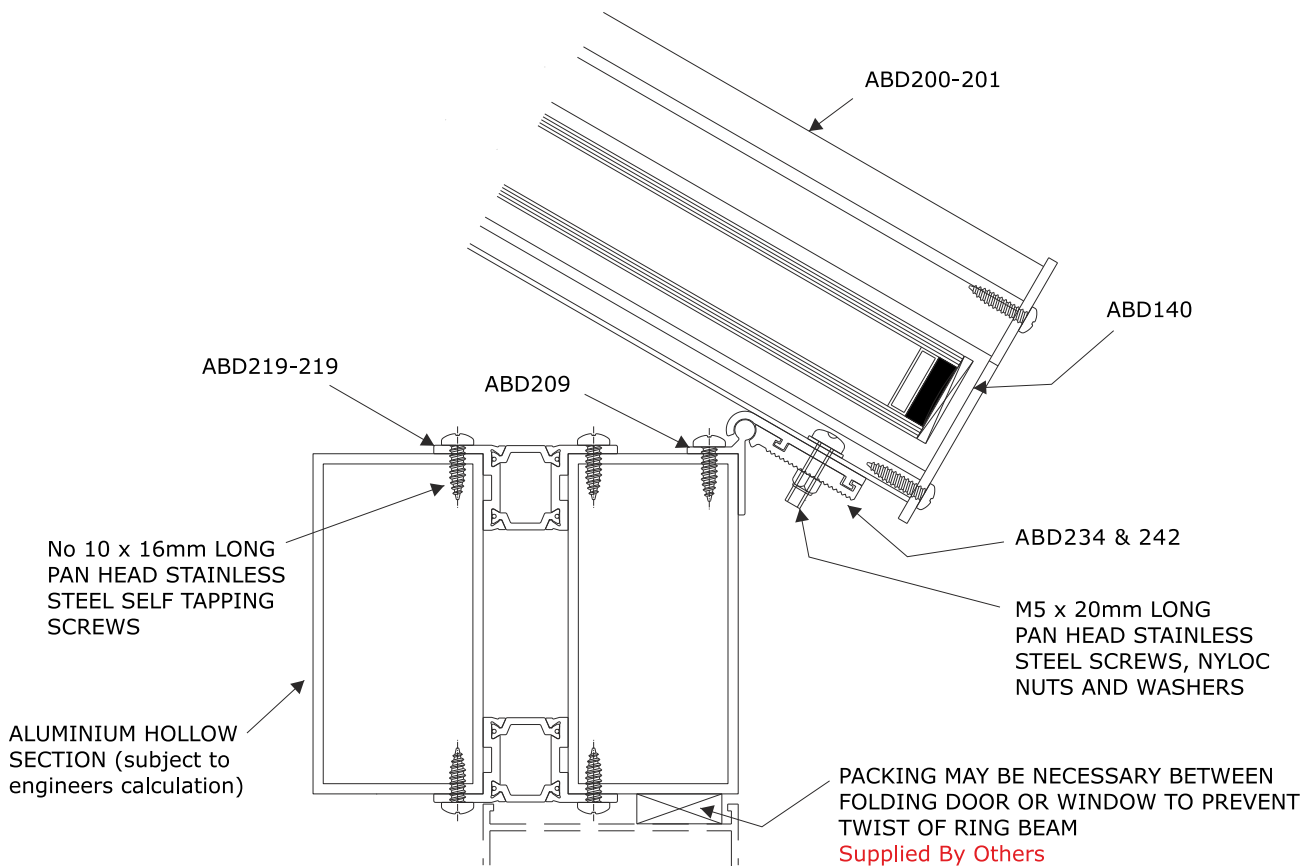


Ring Beam Section

Ring Beam with Rafter Assembly

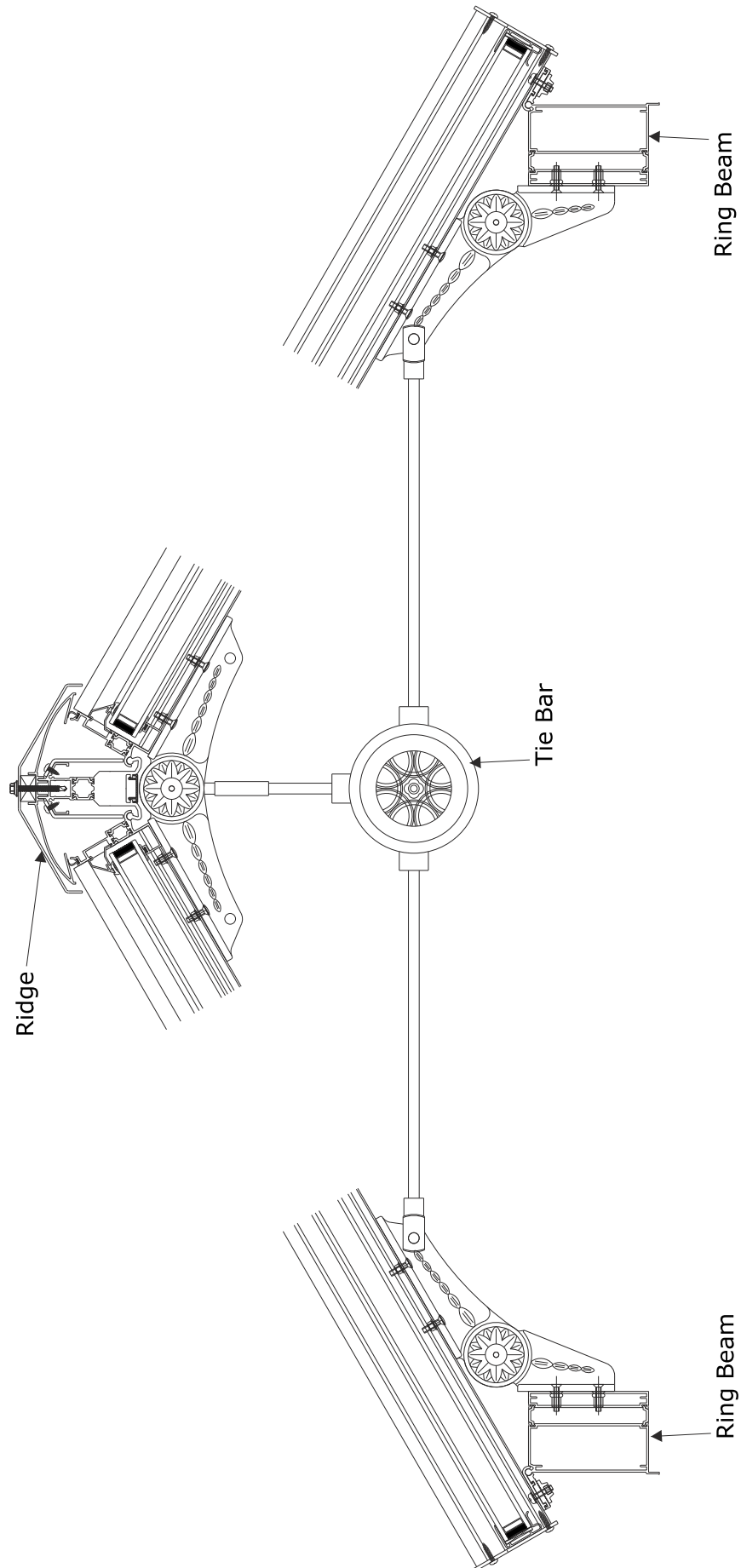


Structural Ring Beam With Rafter Assembly



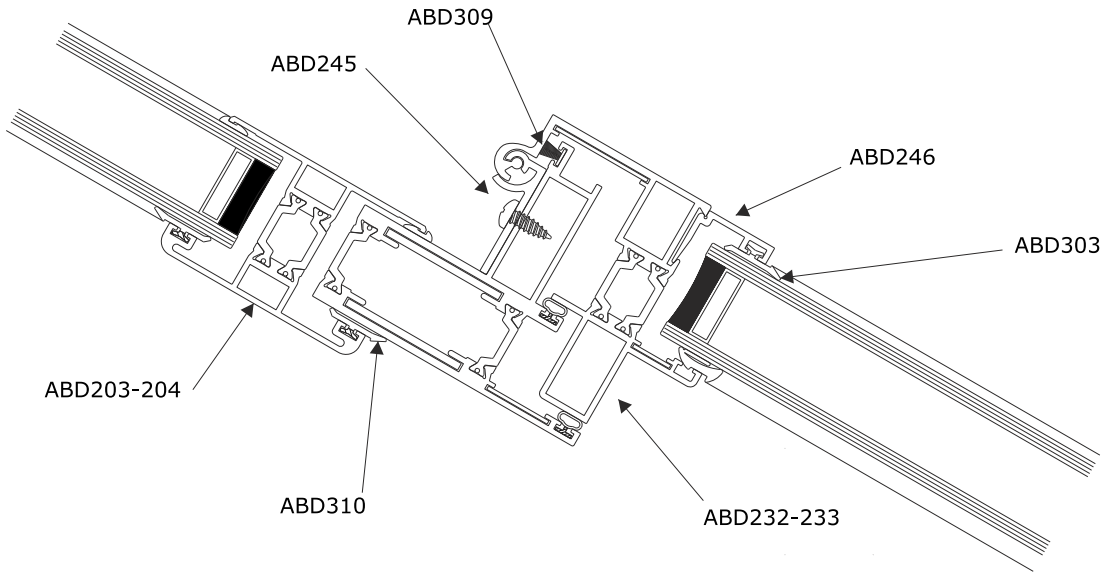
Tie Bar

Assembly

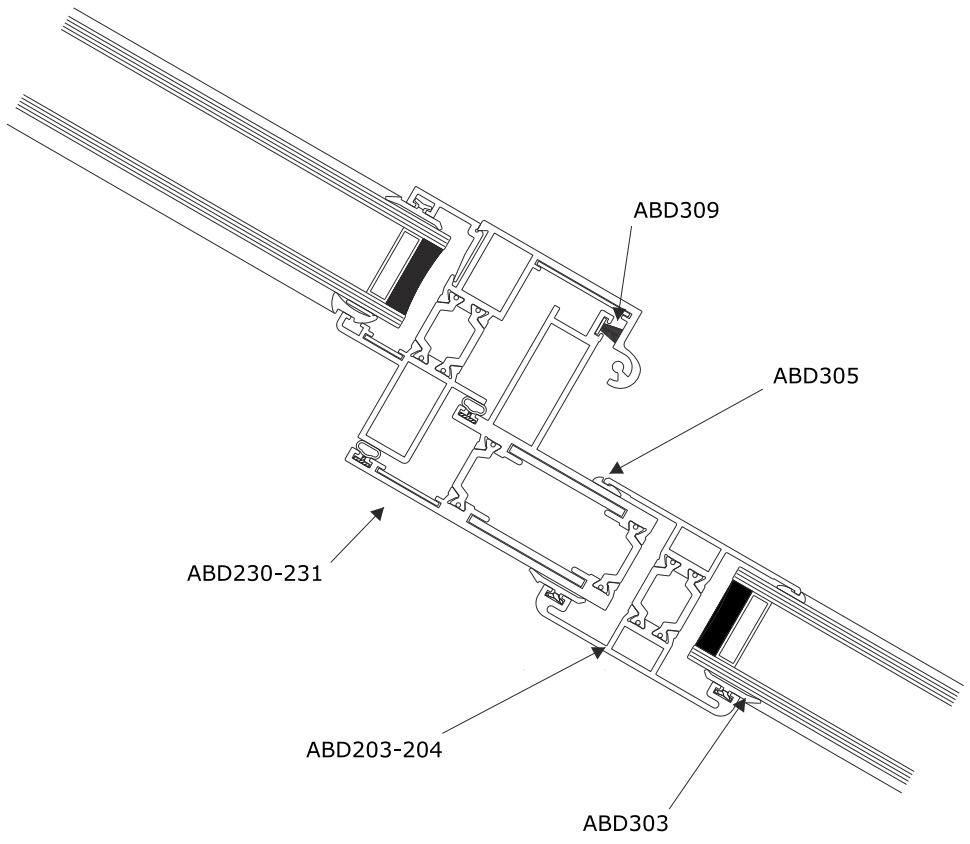


Roof Vent Sections

Top / Hinge End Of Opener



Bottom / Opening End Of Opener



Main Office & Factory

Units 4-5, t: 01268 681612 (20 lines)
Charfleets Road, f: 01268 510058
Canvey Island, e: sales@duration.co.uk
Essex. SS8 0PQ w: www.duration.co.uk

Grand Design Exhibition Centre

Unit 1 Casino Parade, t: 01268 695100
Eastern Esplanade,
Canvey Island, SatNav Directions
Essex. SS8 7FJ Use: SS8 7DN.