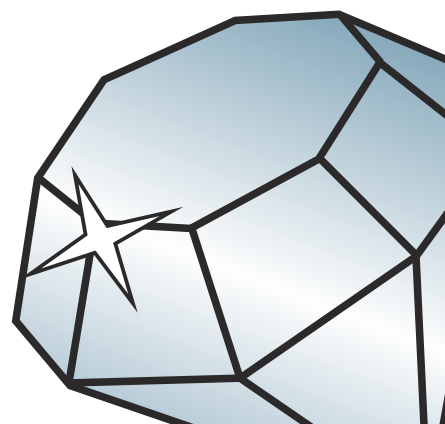


Flush Casement

Section Identification Guide



DURATION
WINDOWS



Contents



Profiles

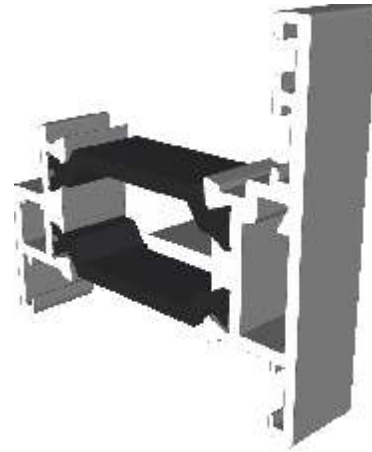
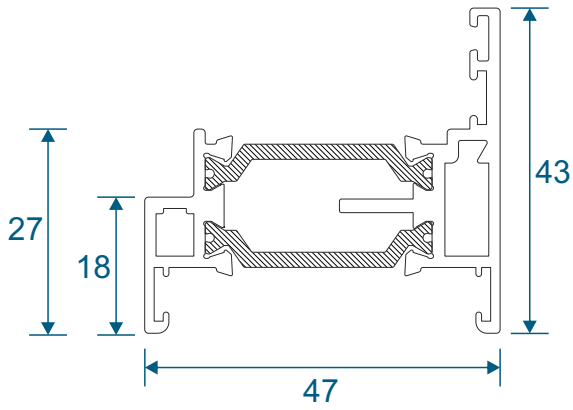
Parts	3
Coupler, Extension and Posts	4
Cills	5 - 6

Section Drawings

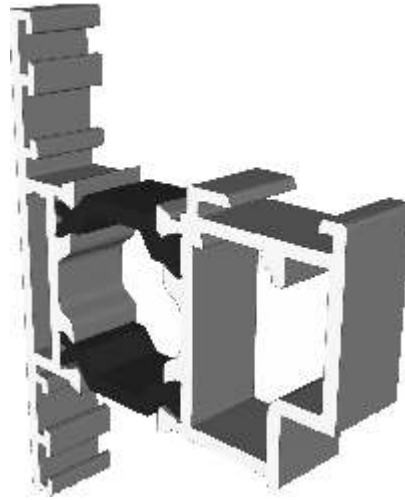
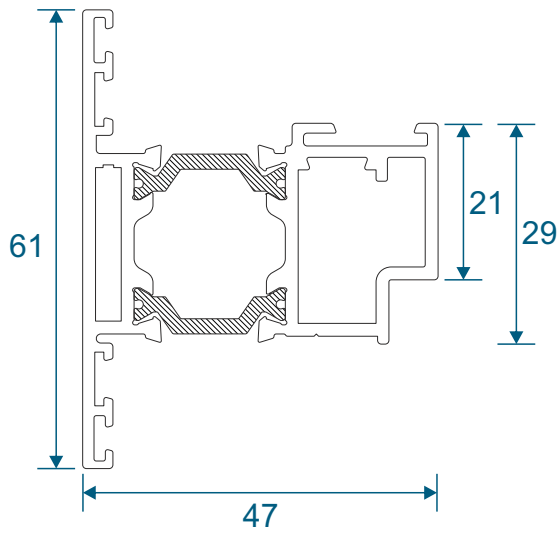
Base: With & Without 150mm Cill	7
Head: With & Without Extension	8
Jamb & Transom / Mullion	9
90 Degree Corner Post	10
Variable Bay Pole	11
Coupling	12

Parts

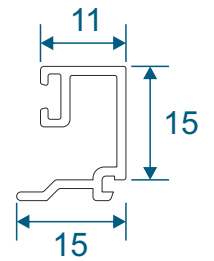
ZSB243 - 47mm Equal Leg Frame



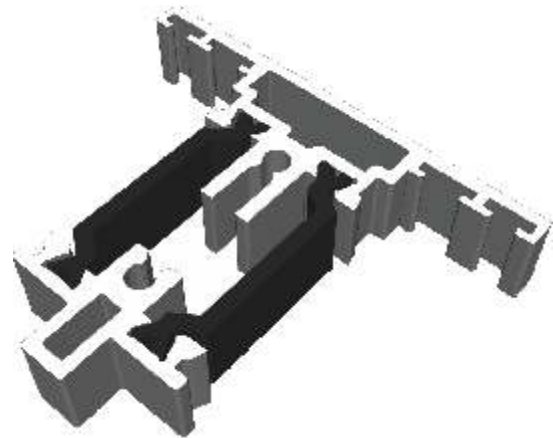
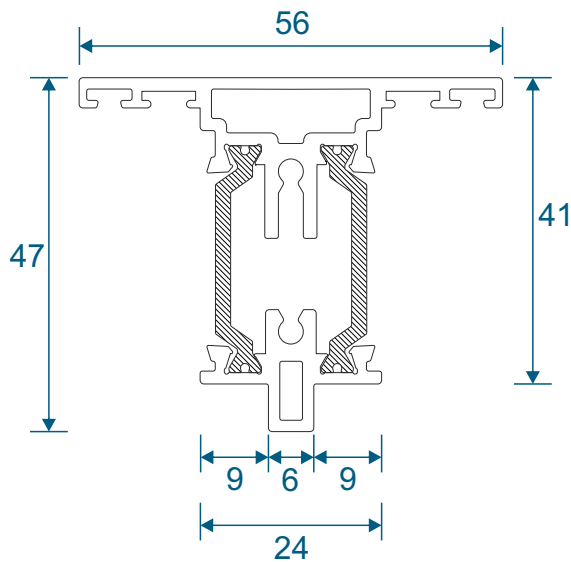
ZSB244 - Sash



W20168 - Bead

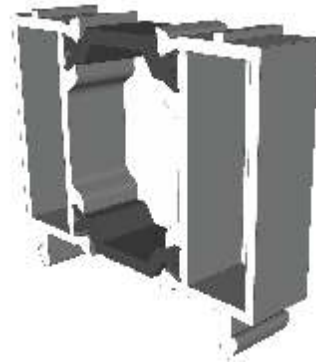
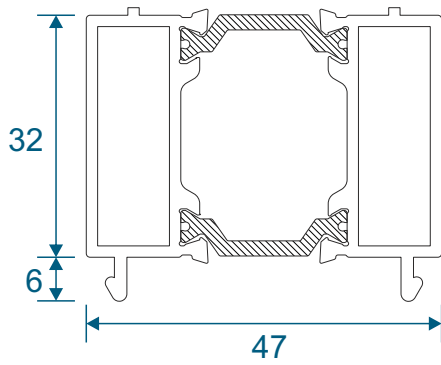


ZSB245 - Transom / Mullion

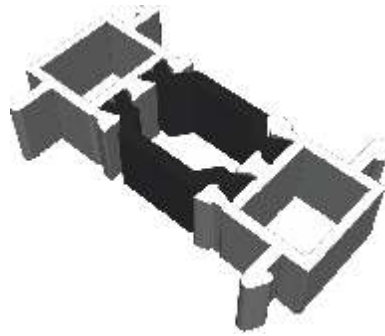
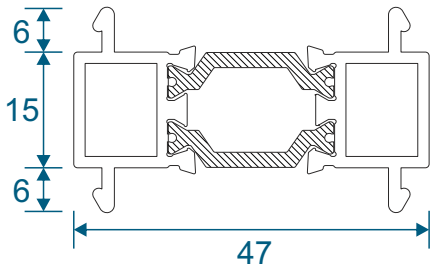


Coupler, Extension & Posts

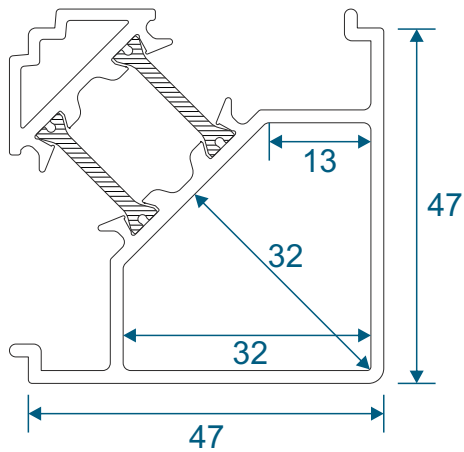
ETC058 - 32mm Extension



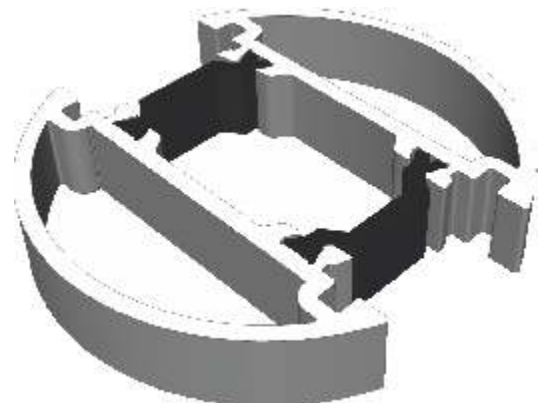
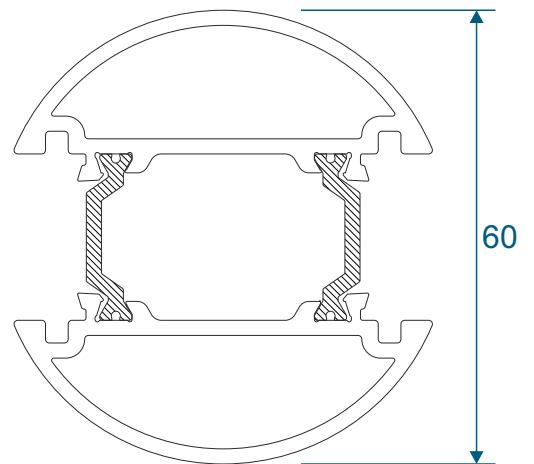
ETC053 - 15mm Coupler



ETC047 - 47mm Corner Post

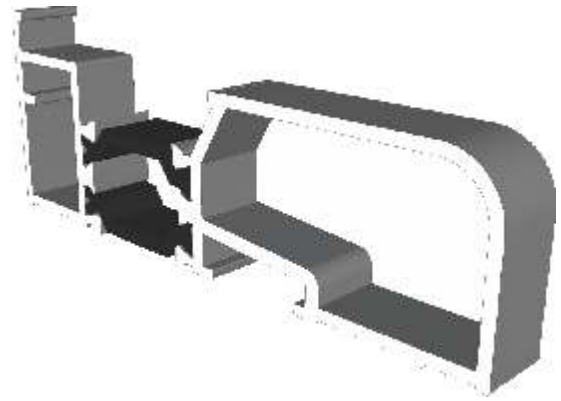
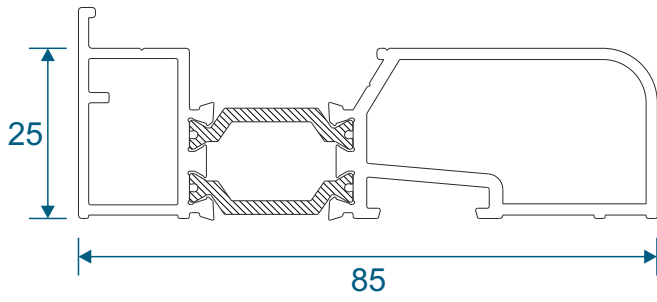


ETC869 - 60mm Bay Pole

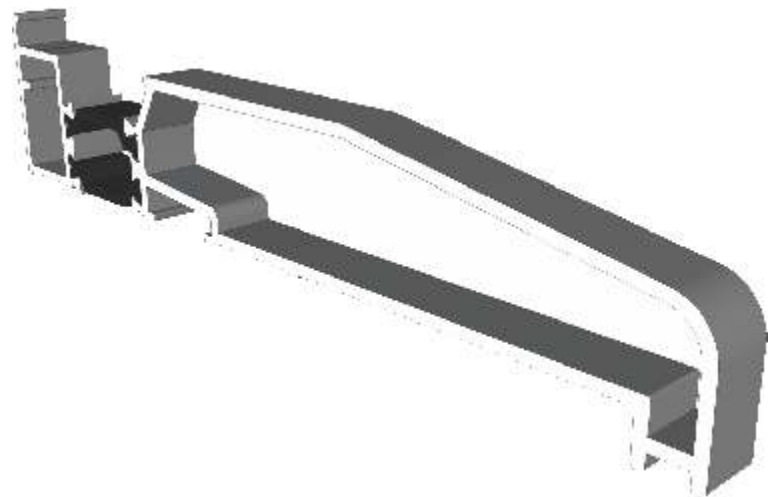
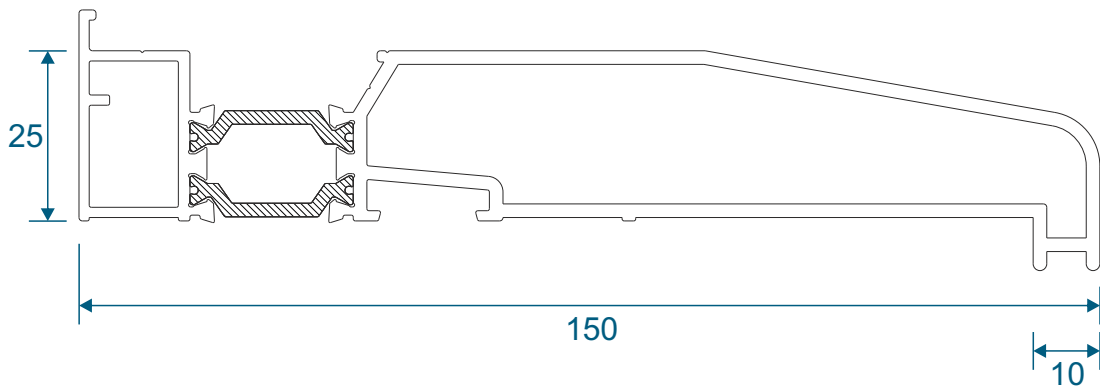


Cills

ETC451 - 85mm Cill

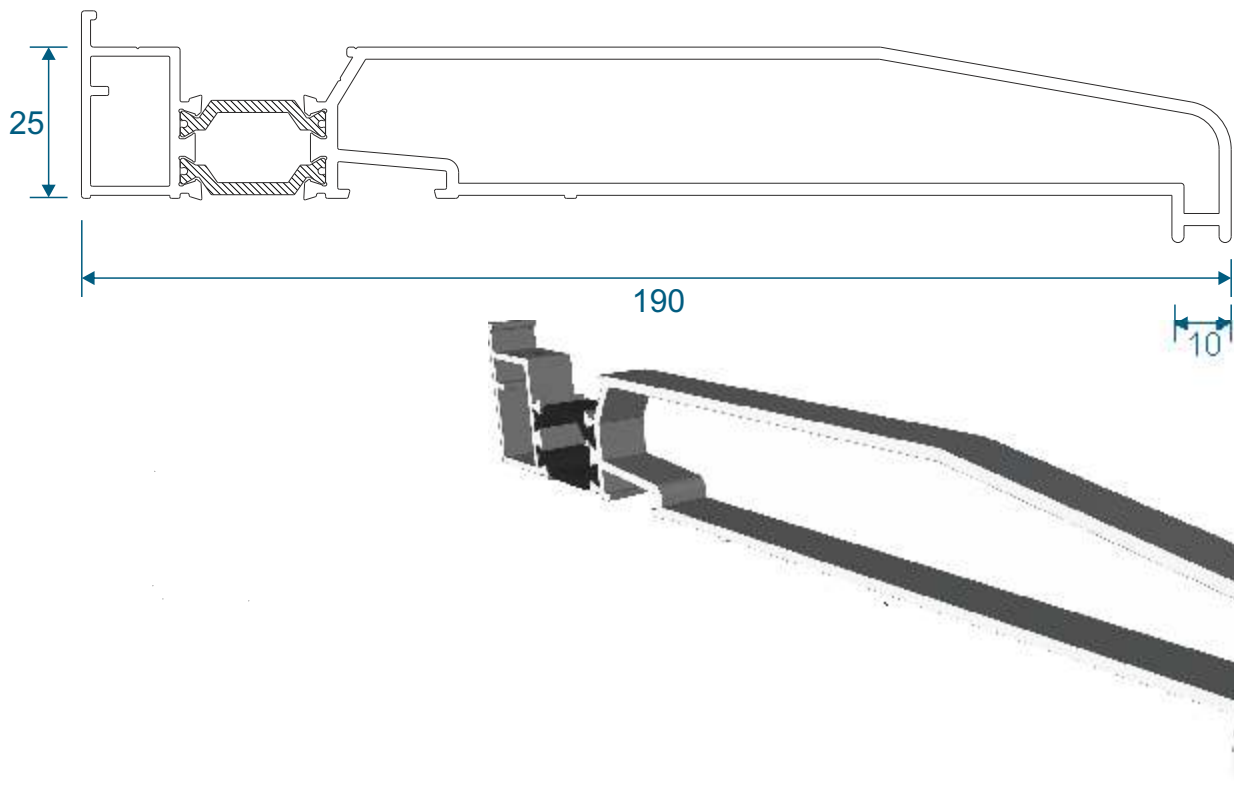


ETC457 - 150mm Cill

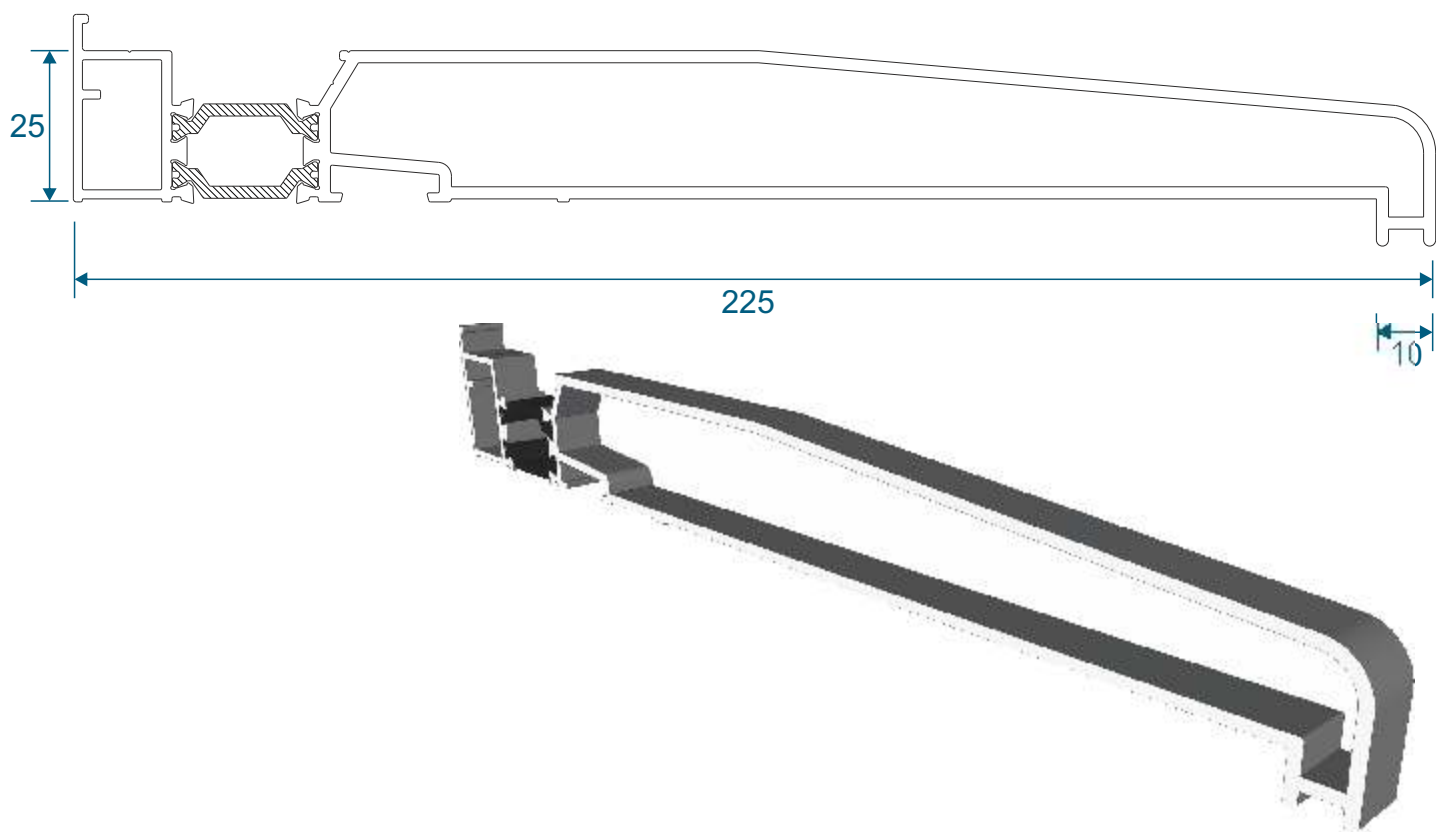


Cills

ETC458 - 190mm Cill

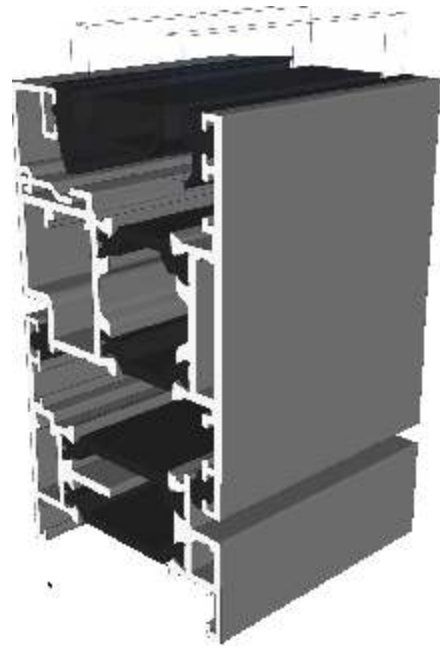
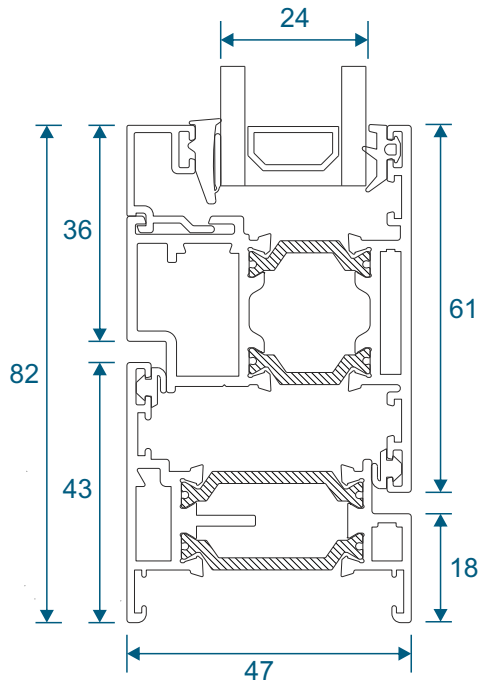


ETC479 - 225mm Cill

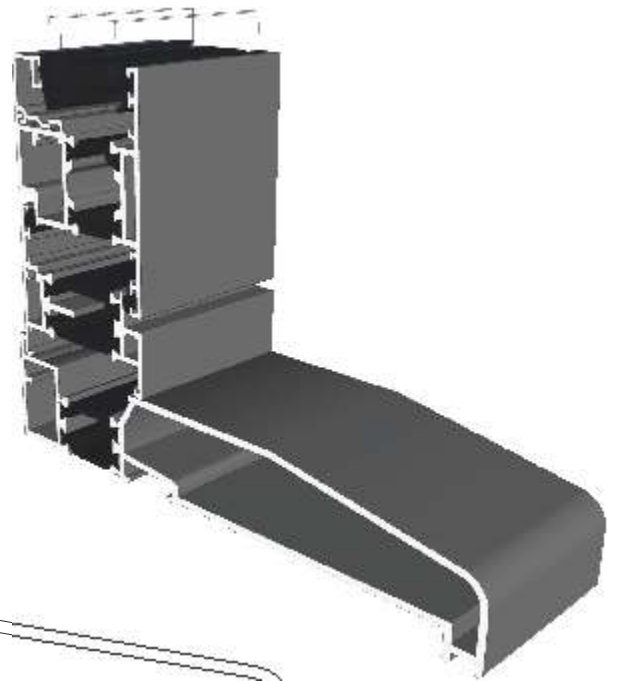
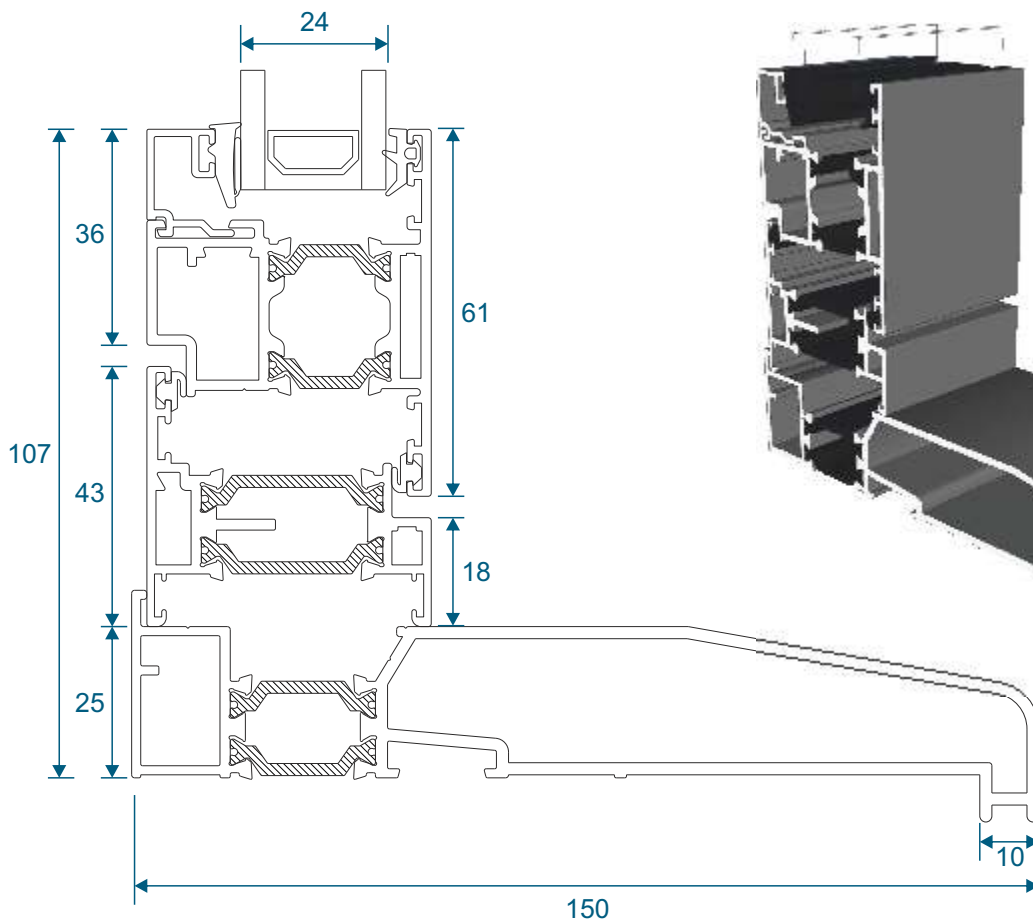


Base Sections

Base Section - No Cill



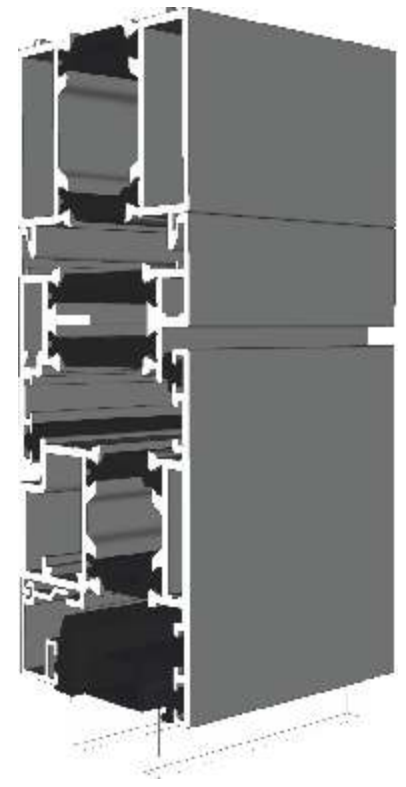
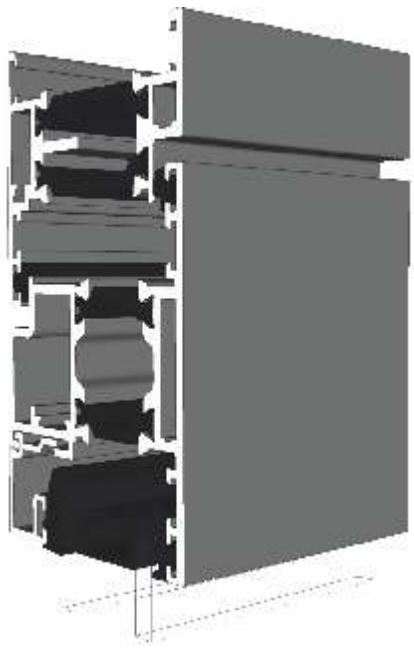
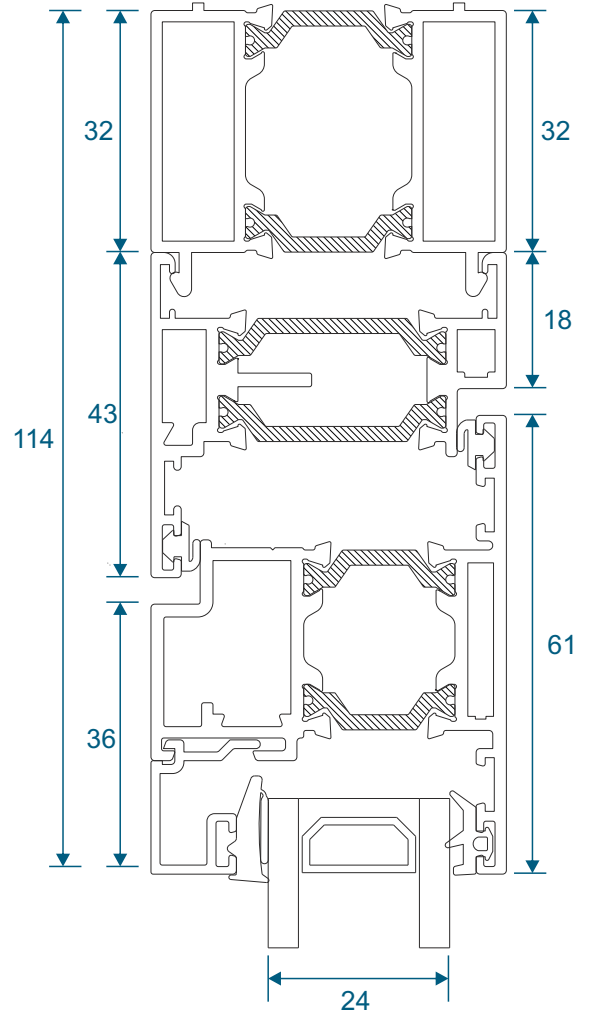
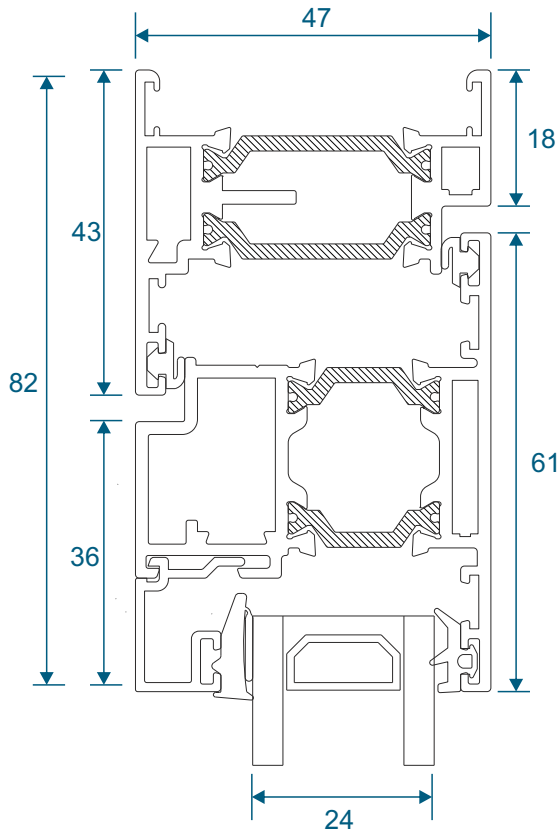
Base Section - With 150mm Cill



Head Sections

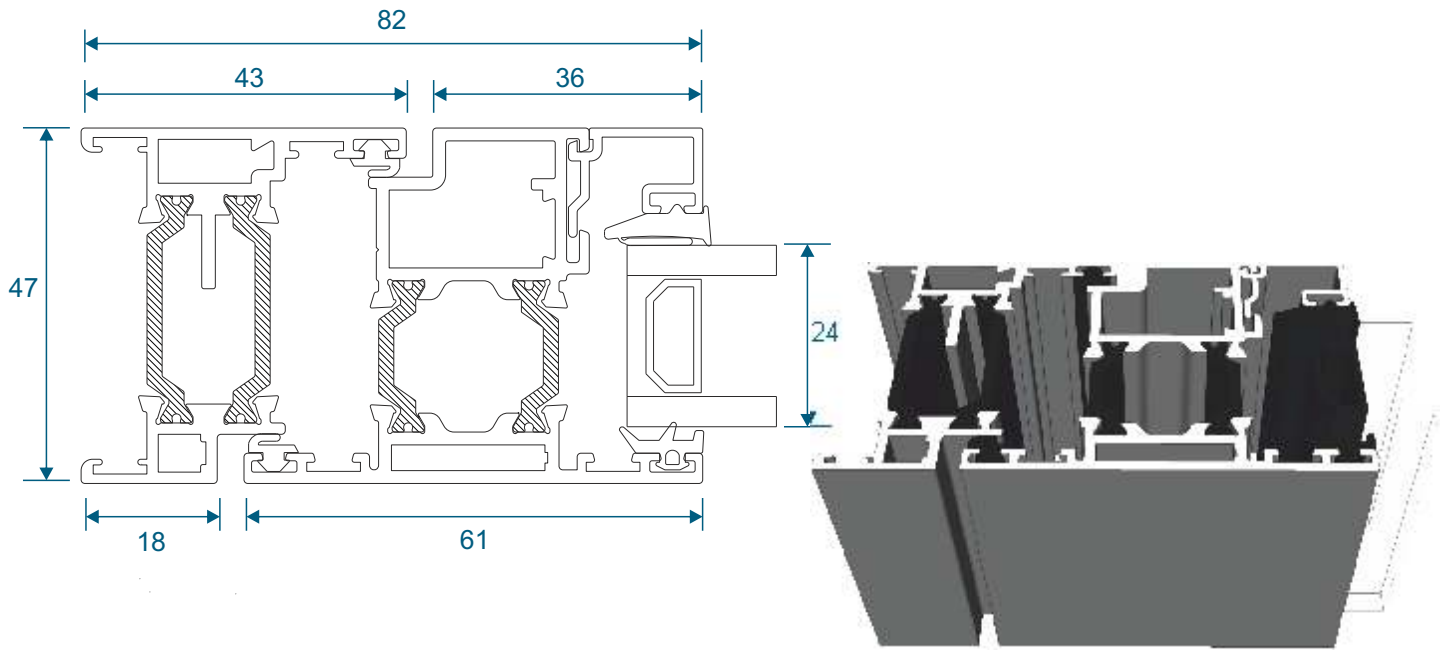
Head Section

Head Section With Extension

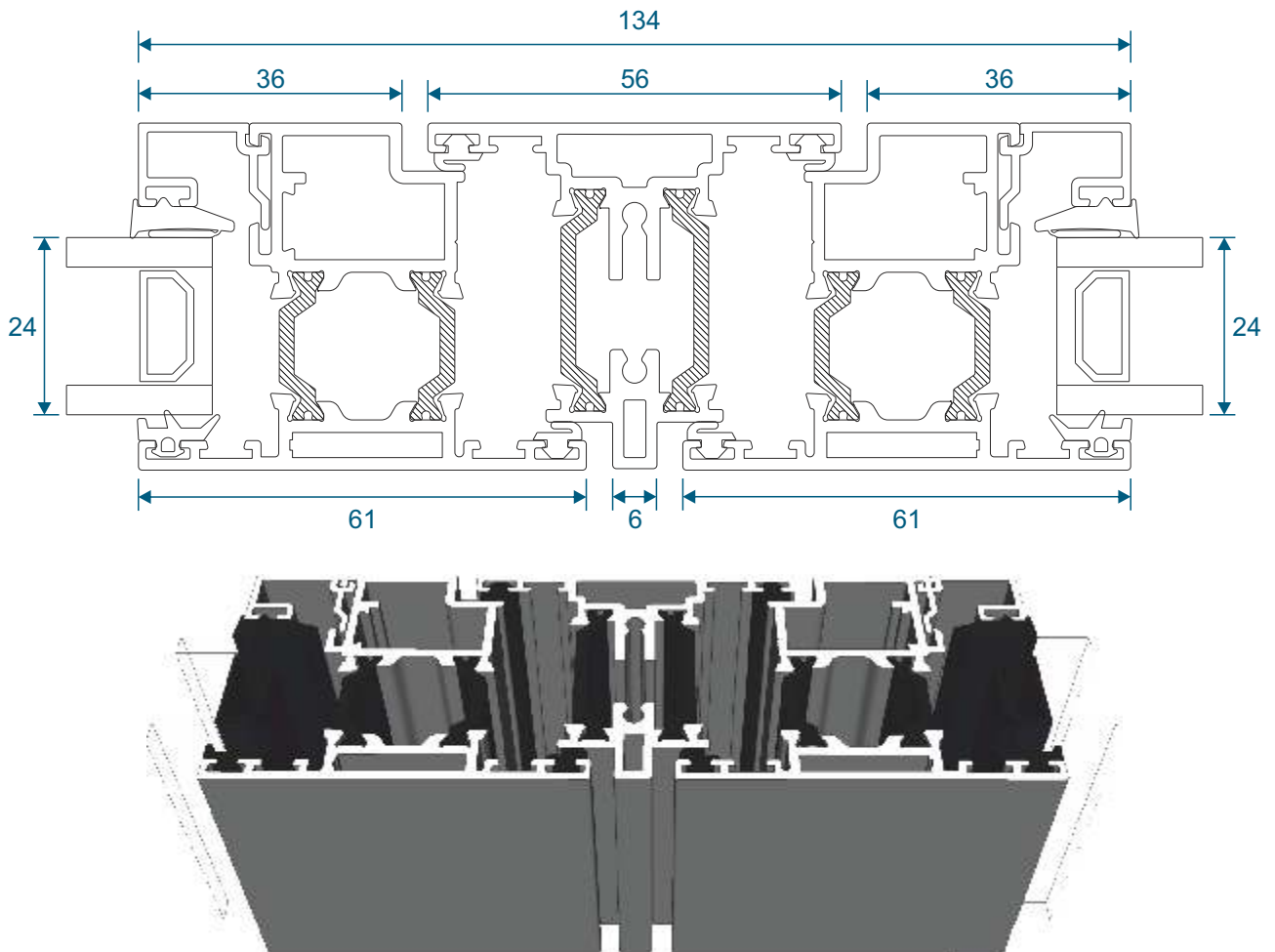


Jamb and Transom / Mullion Section

Jamb

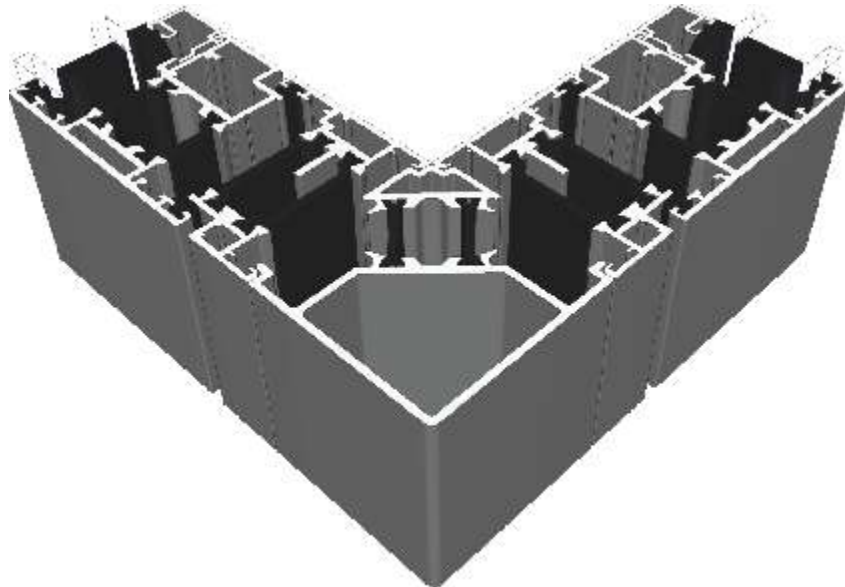
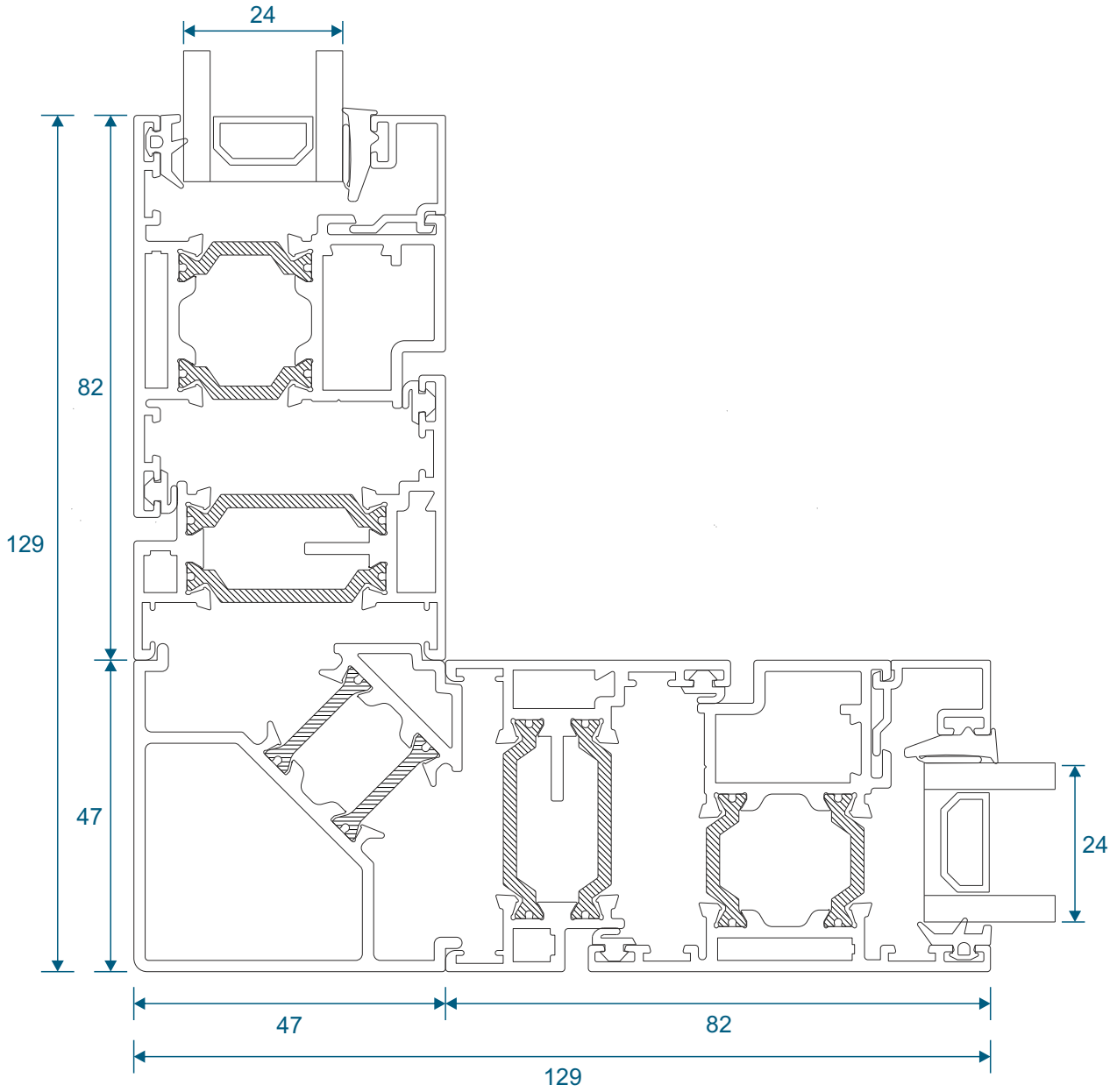


Transom / Mullion



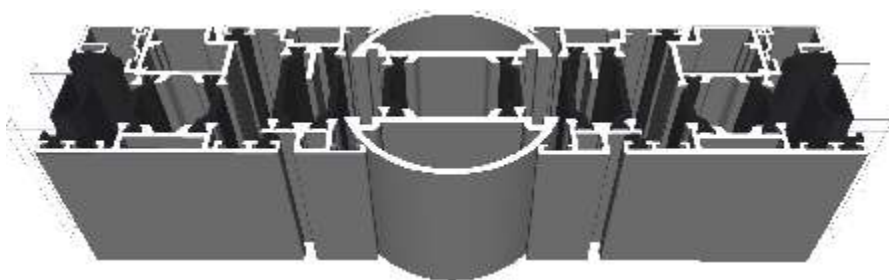
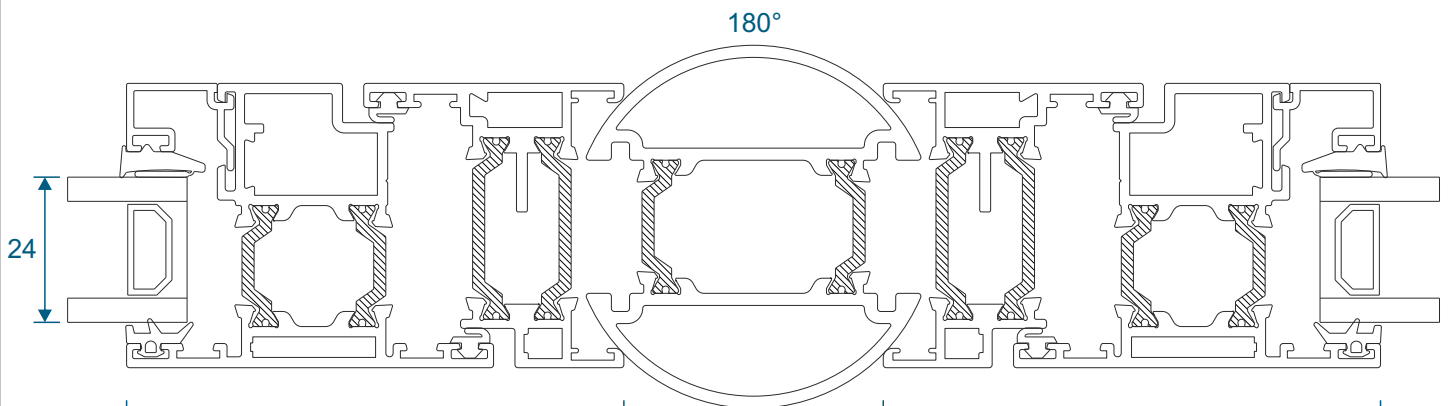
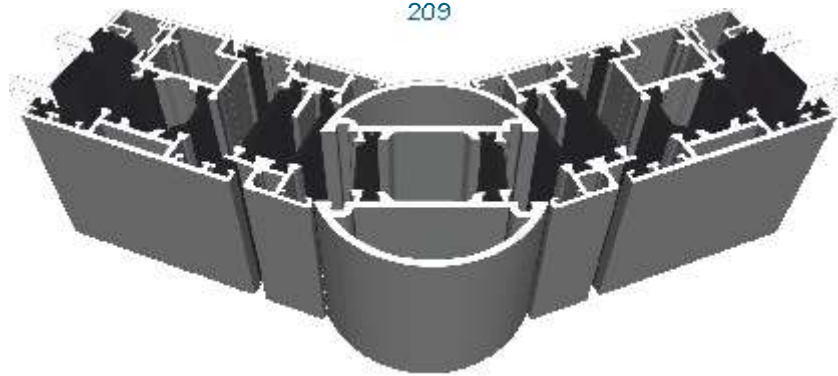
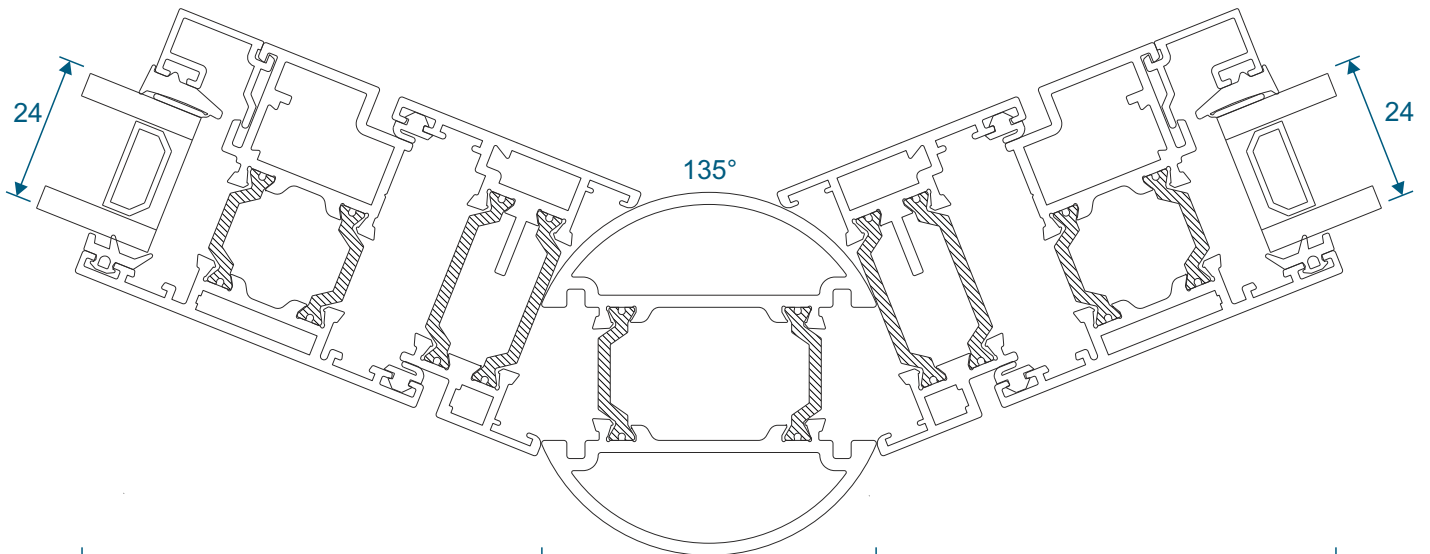
Corner Post

90 Degree Non Structural Corner Post



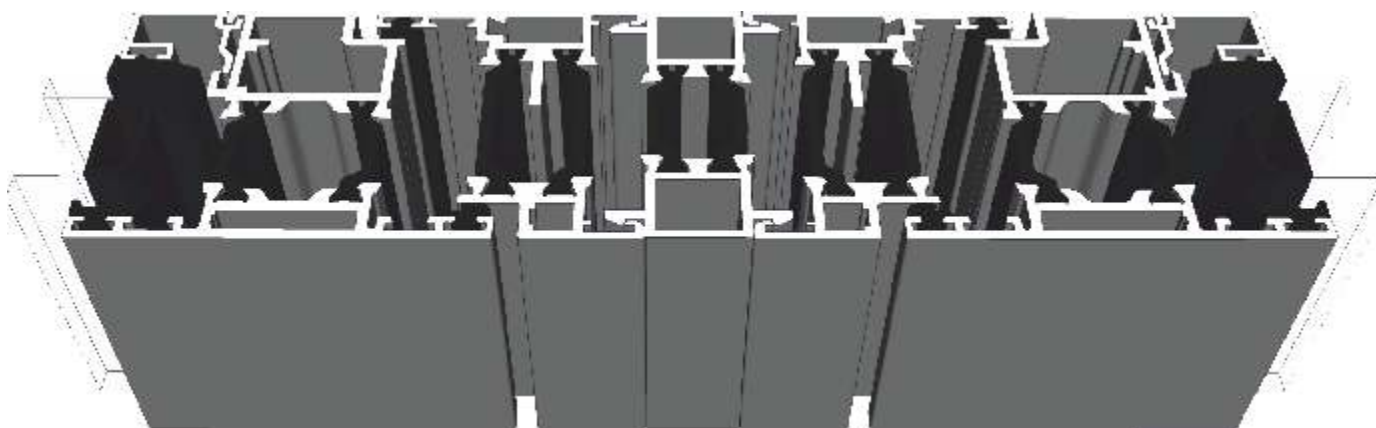
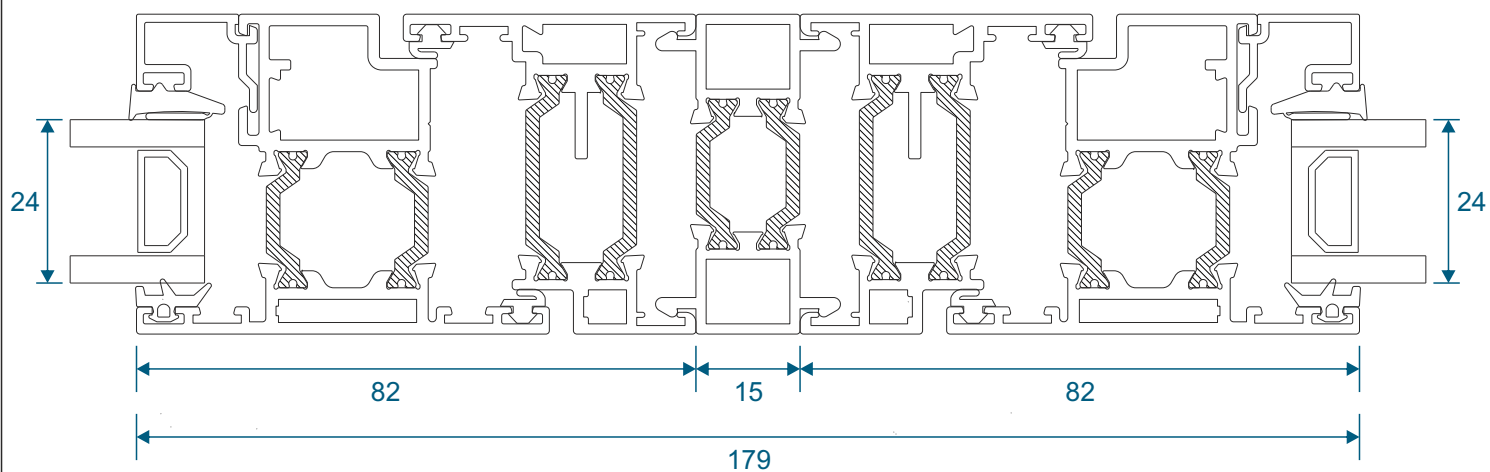
Variable Bay Pole

135 -180 Degree Non Structural Bay Pole



Coupling

Coupling Windows Together



Main Office & Factory

Units 4-5, t: 01268 681612 (15 lines)
Charfleets Road, f: 01268 510058
Canvey Island, e: sales@duration.co.uk
Essex. SS8 0PQ w: www.duration.co.uk

Grand Design Exhibition Centre

Unit 1 Casino Parade, t: 01268 695100
Eastern Esplanade,
Canvey Island, SatNav Directions
Essex. SS8 7FJ Use: SS8 7DN.