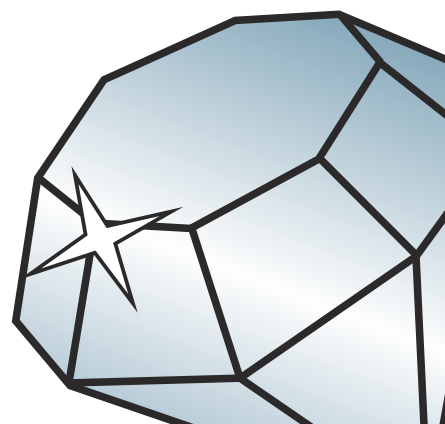


VS Plus Sash

Section Identification Guide



DURATION
WINDOWS



Contents

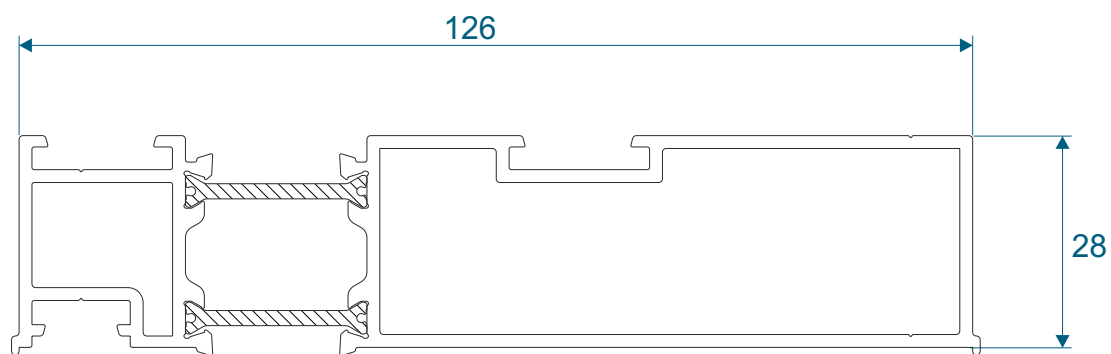
Head	3
Jambs	4
Cills	5
Sashes - Striped	6
Sashes - Flat	7
Beads & Extras	8

Sections

Flush Cill - Slim & Deep Rail	9
Projection Cill - Slim & Deep Rail	10
Interlocks - Striped & Flat	11
Head	12
Deep Jamb - Striped & Flat	13
Slim Jamb - Striped & Flat	14

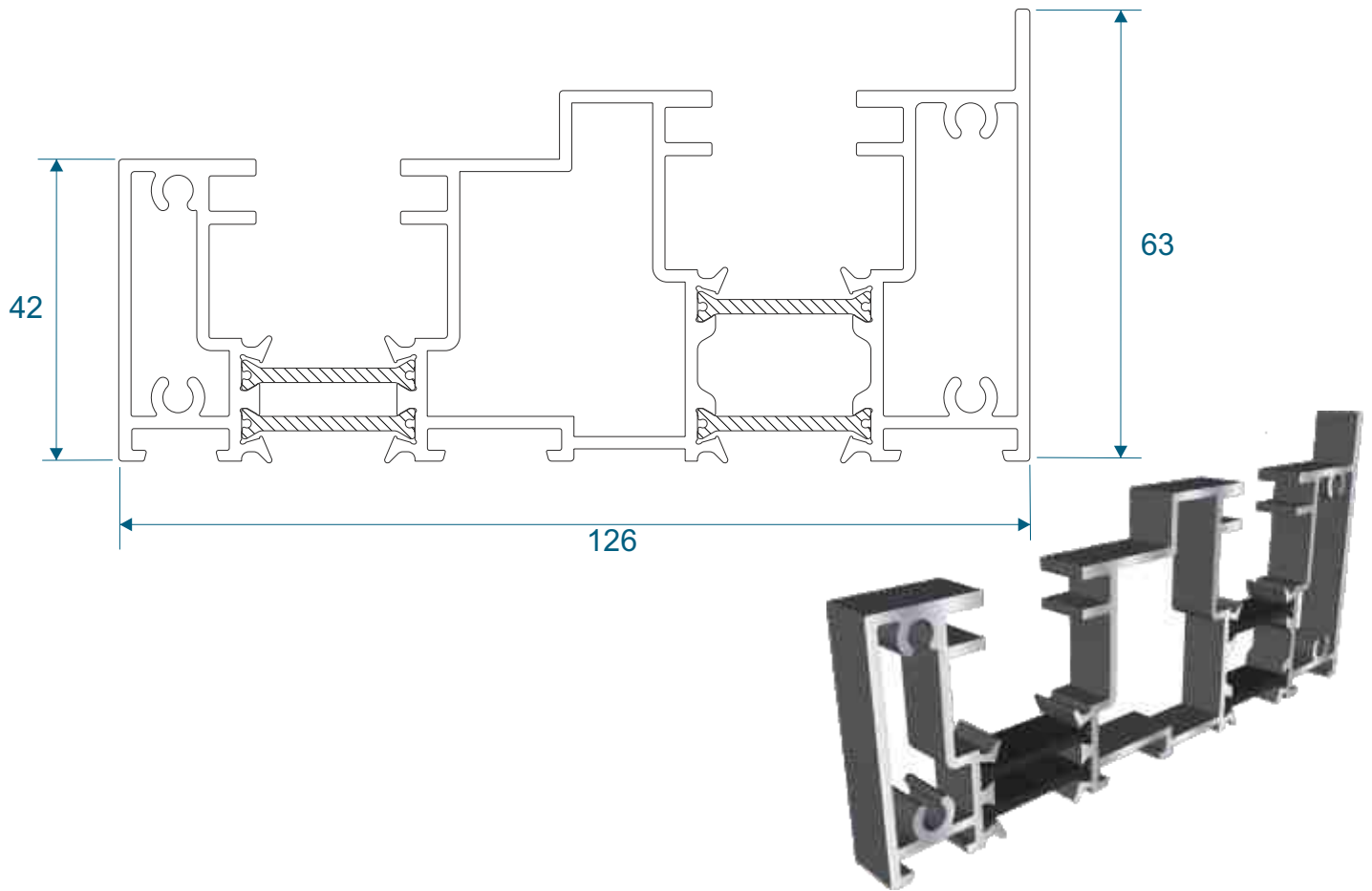
Head & Jamb

VS011 - Head Frame

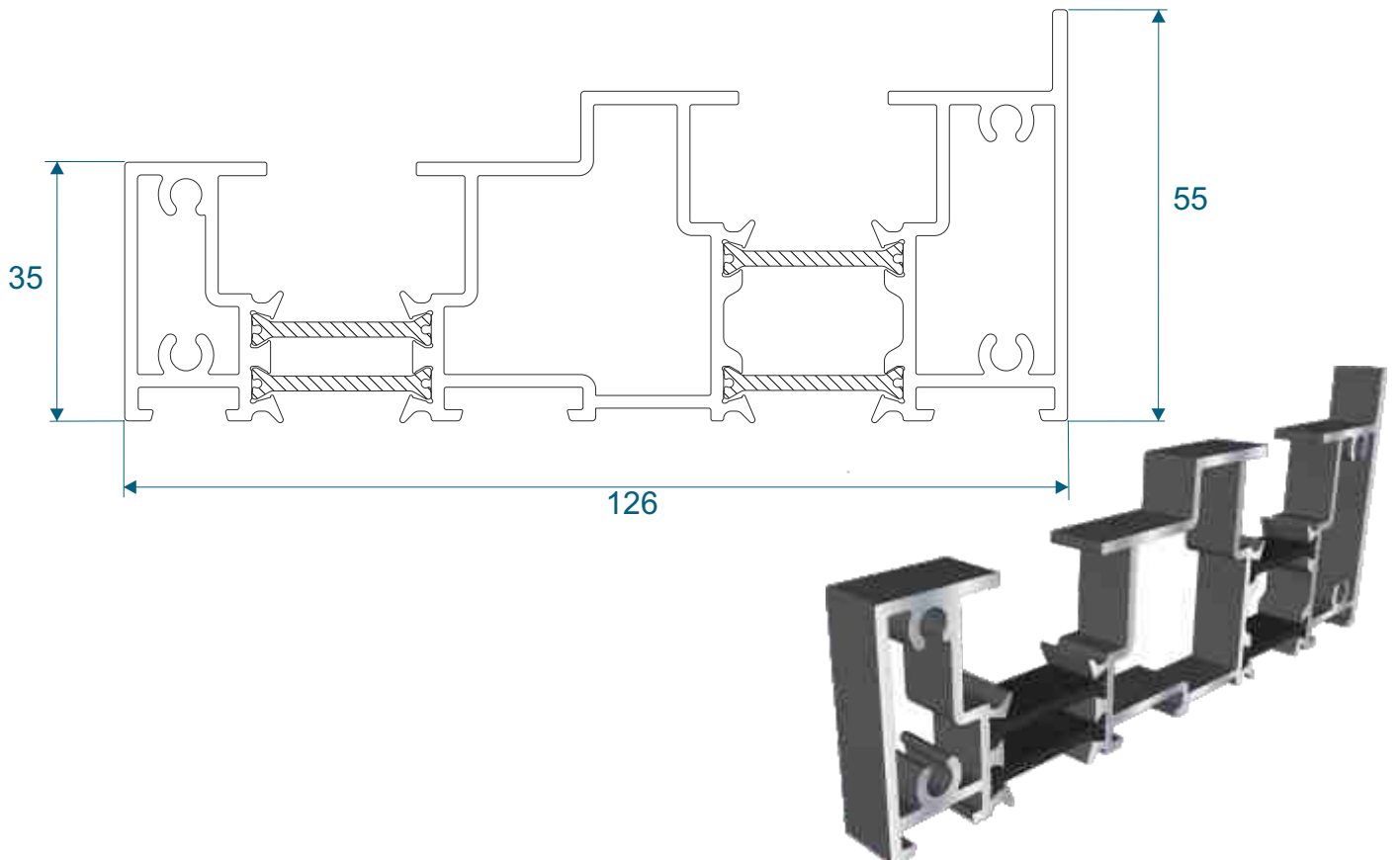


Jambs

VS012 - Deep Jamb

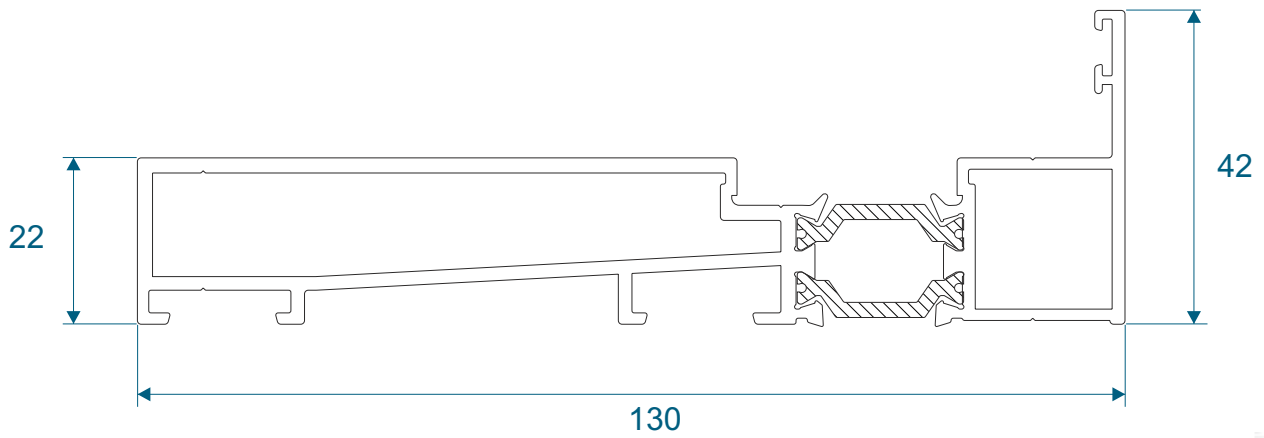


VS112 - Slim Jamb

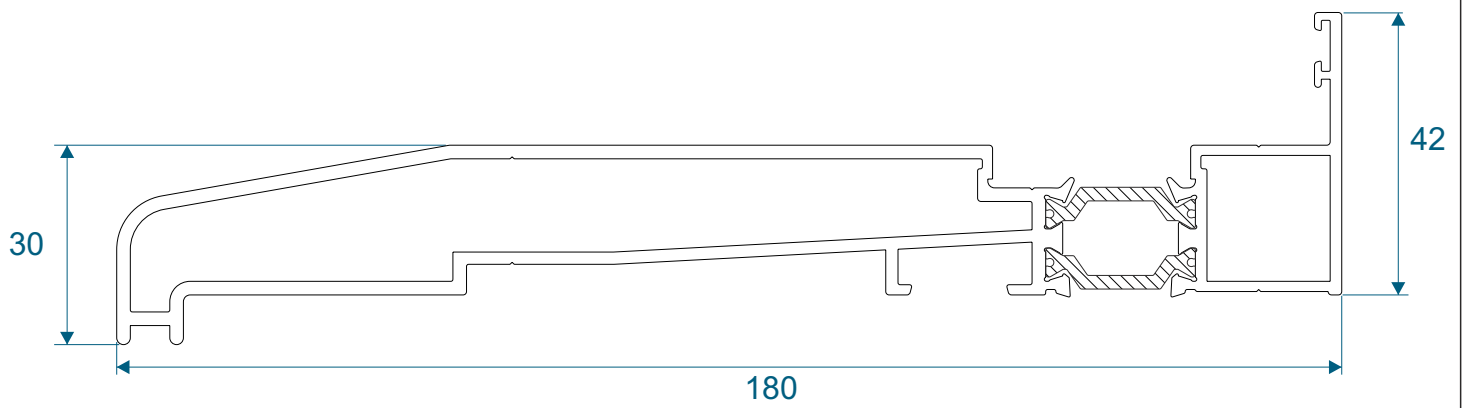


Cill

VS010 - Flush Cill

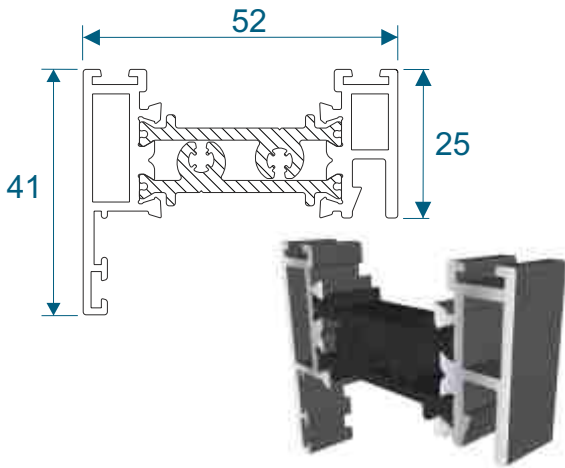


VS110 - 180mm Projection Cill

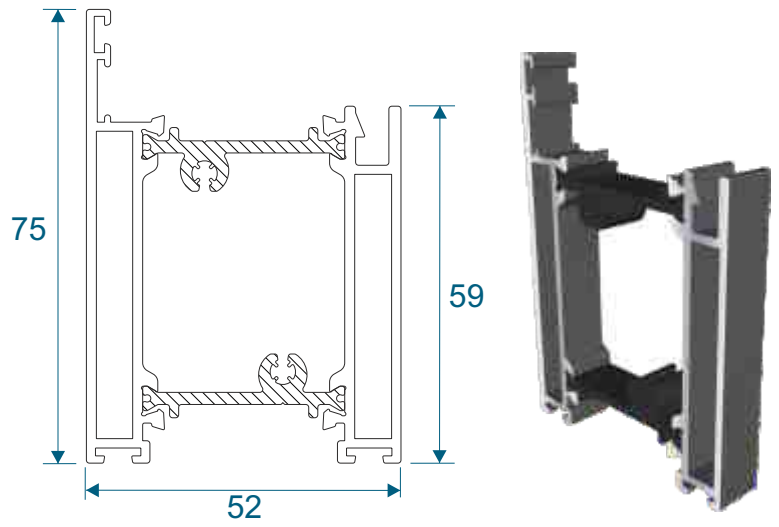


Sashes - Striped

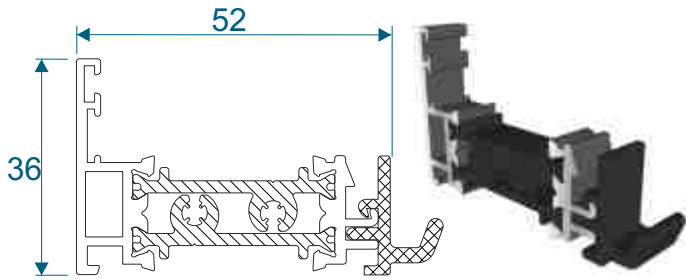
VS020 - Top & Bottom Rail



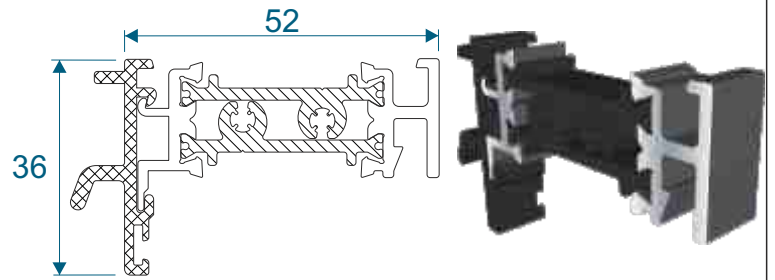
VS025 - Deep Bottom Rail



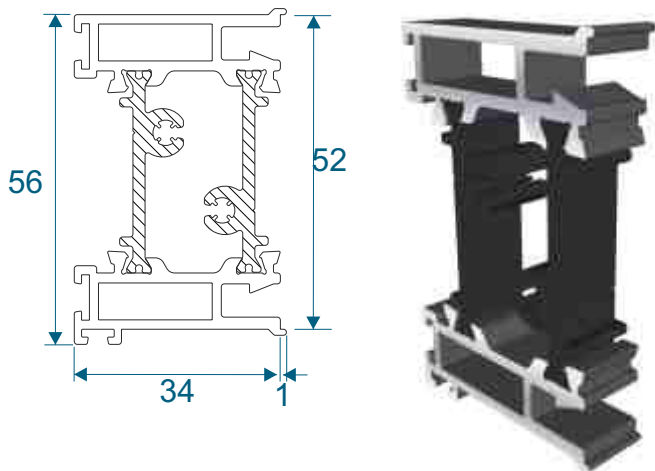
VS021 - Interlock Top Panel



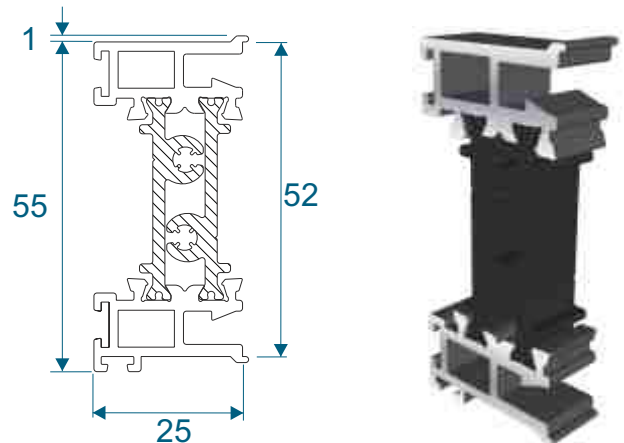
VS022 - Interlock Bottom Panel



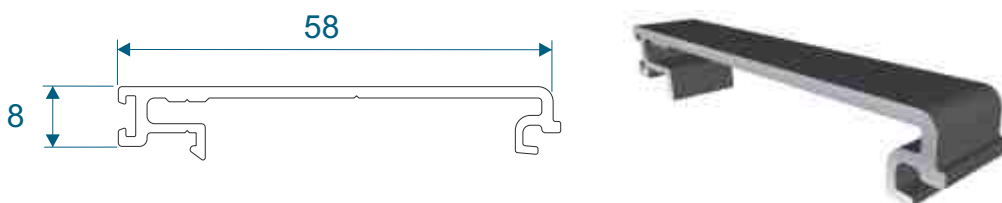
VS023 - Vertical Member



VS024 - Vertical Member

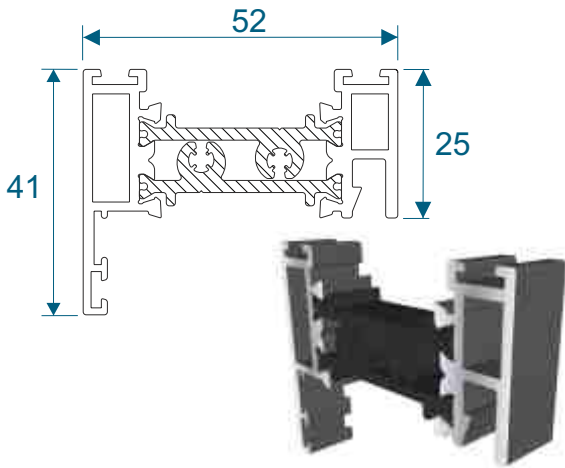


VS030 - Interlock Cap

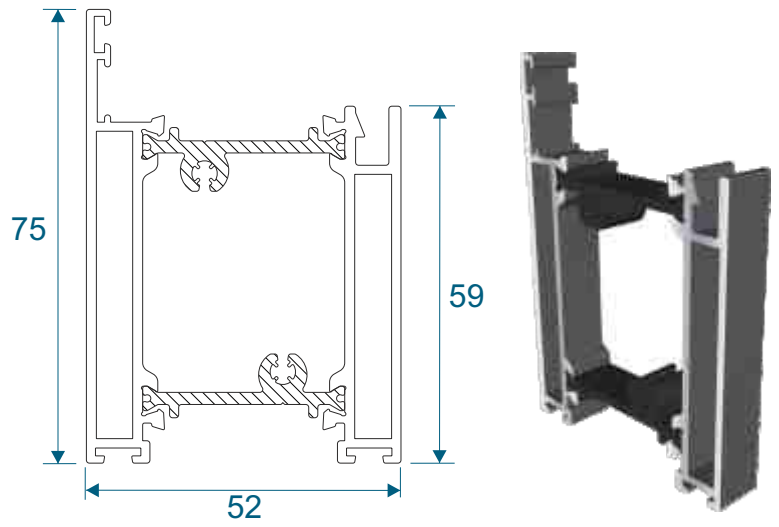


Sashes - Flat

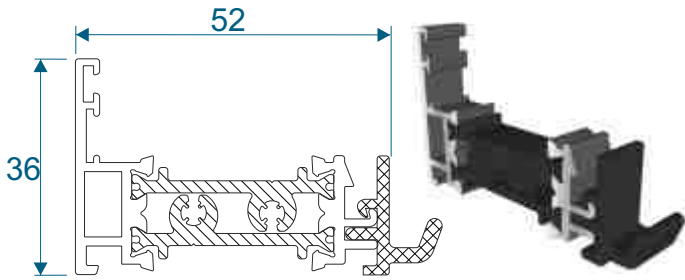
VS020 - Top & Bottom Rail



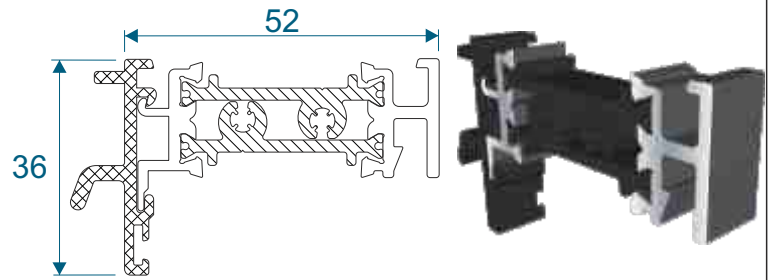
VS025 - Deep Bottom Rail



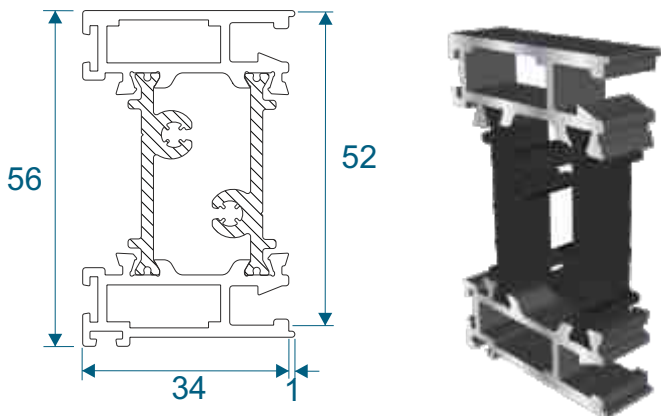
VS021 - Interlock Top Panel



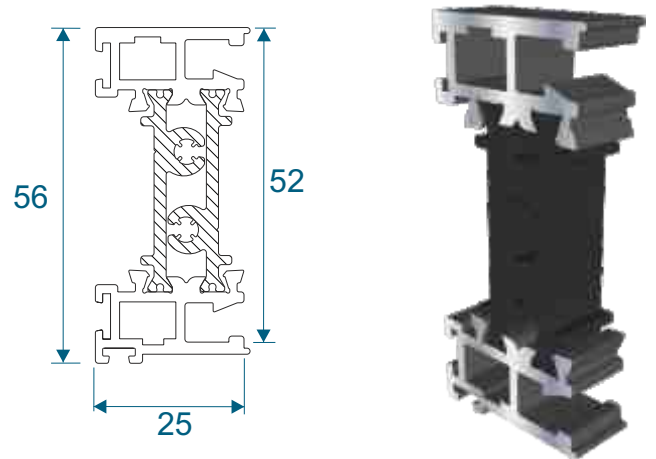
VS022 - Interlock Bottom Panel



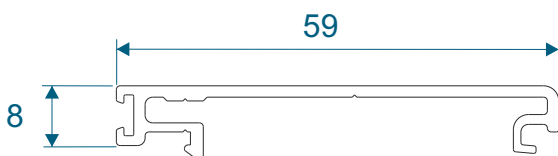
VS123 - Vertical Member



VS124 - Vertical Member

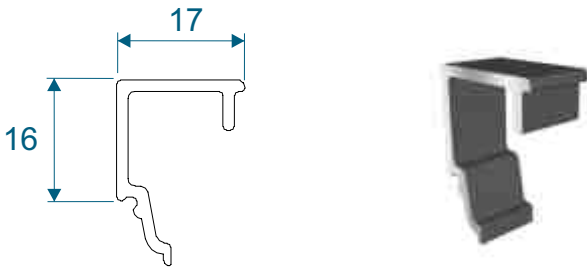


VS130 - Interlock Cap

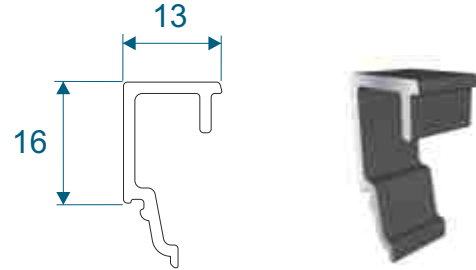


Beads & Extras

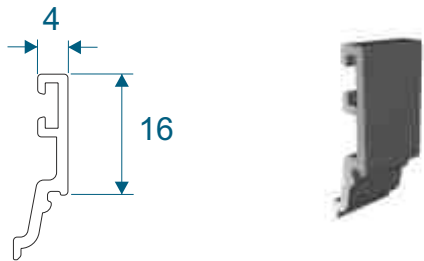
VS044 - Internal Bead 24mm



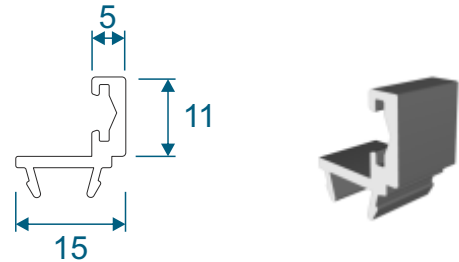
VS045 - Internal Bead 28mm



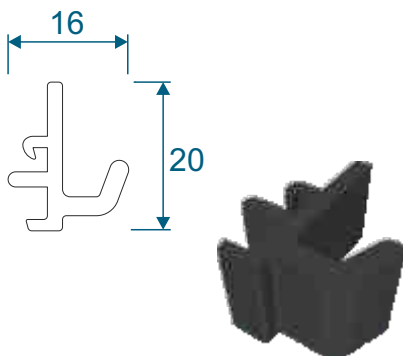
VS046 - External Bead



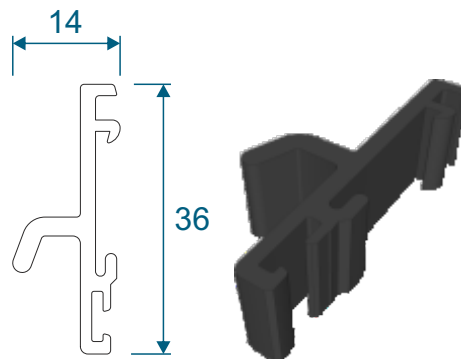
VS041 - Wool Pile Carrier



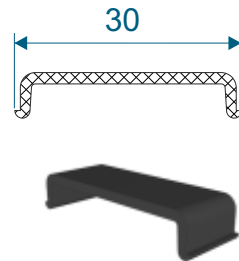
VS031 - External PVC Interlock



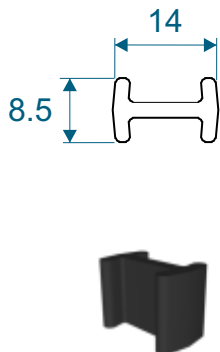
VS032 - Internal PVC Interlock



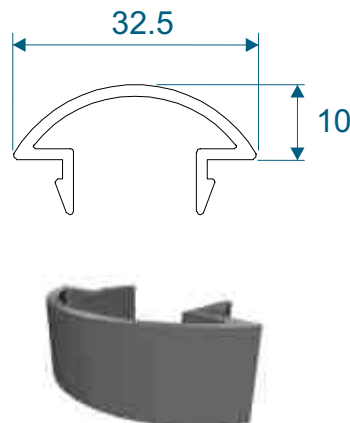
EF422 - Cill Insert Clip



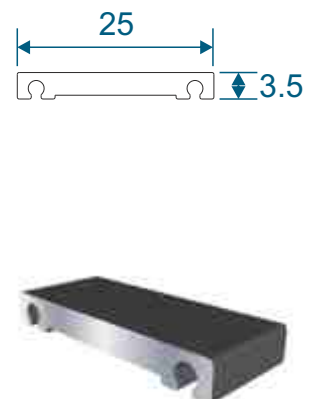
VL75 - Coupling Clip



VS052 - Travel Stop

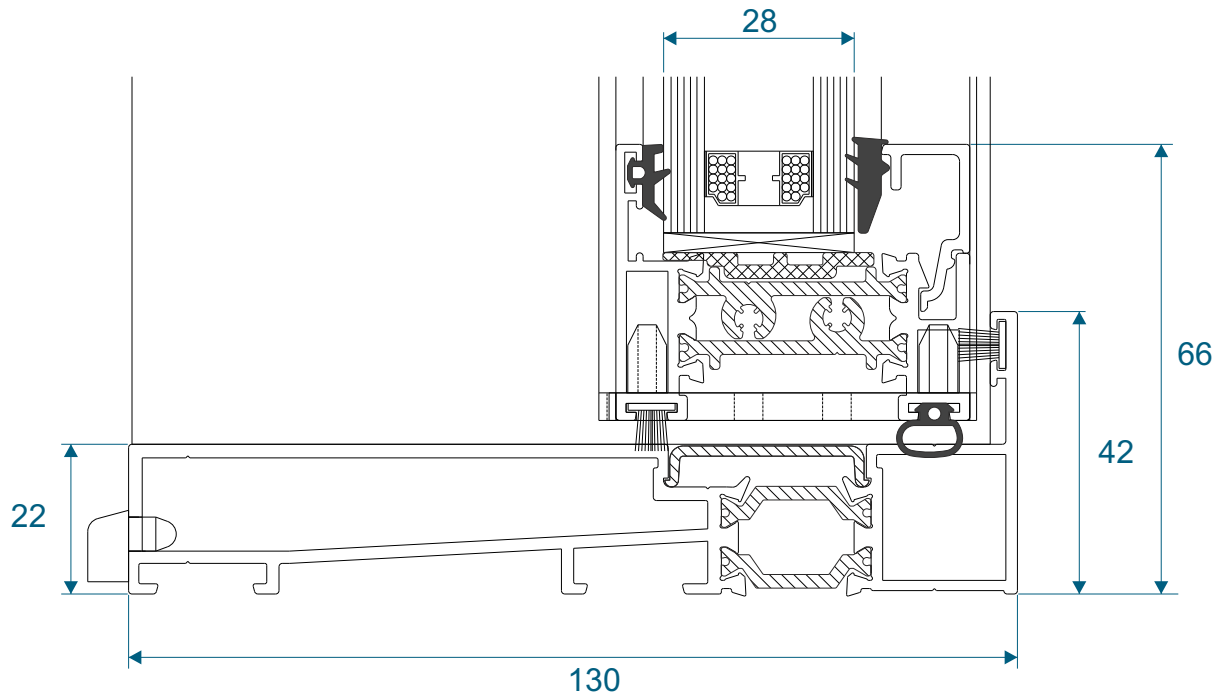


W20165 - 25mm Flat Astragal

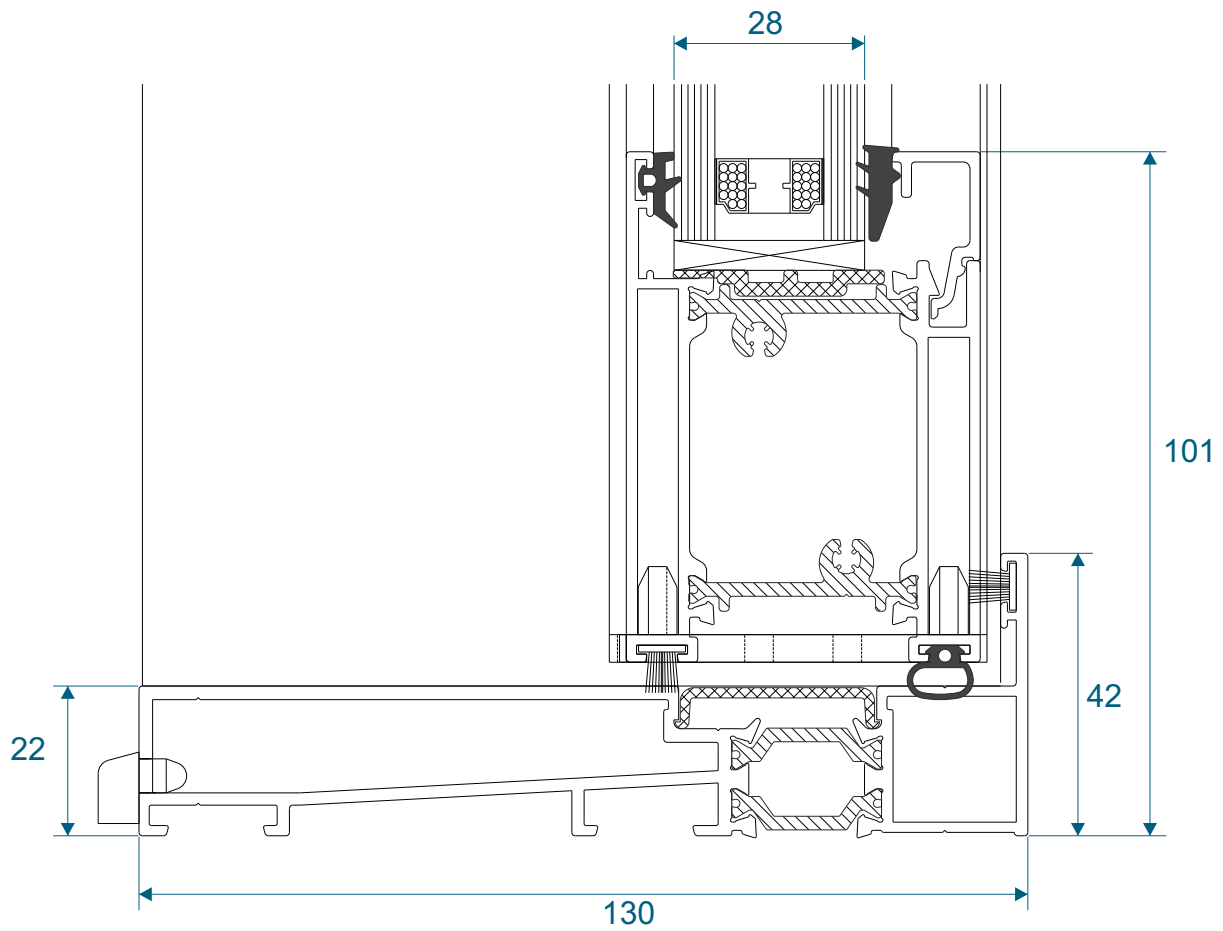


Sections - Flush Cill

With Slim Bottom Rail

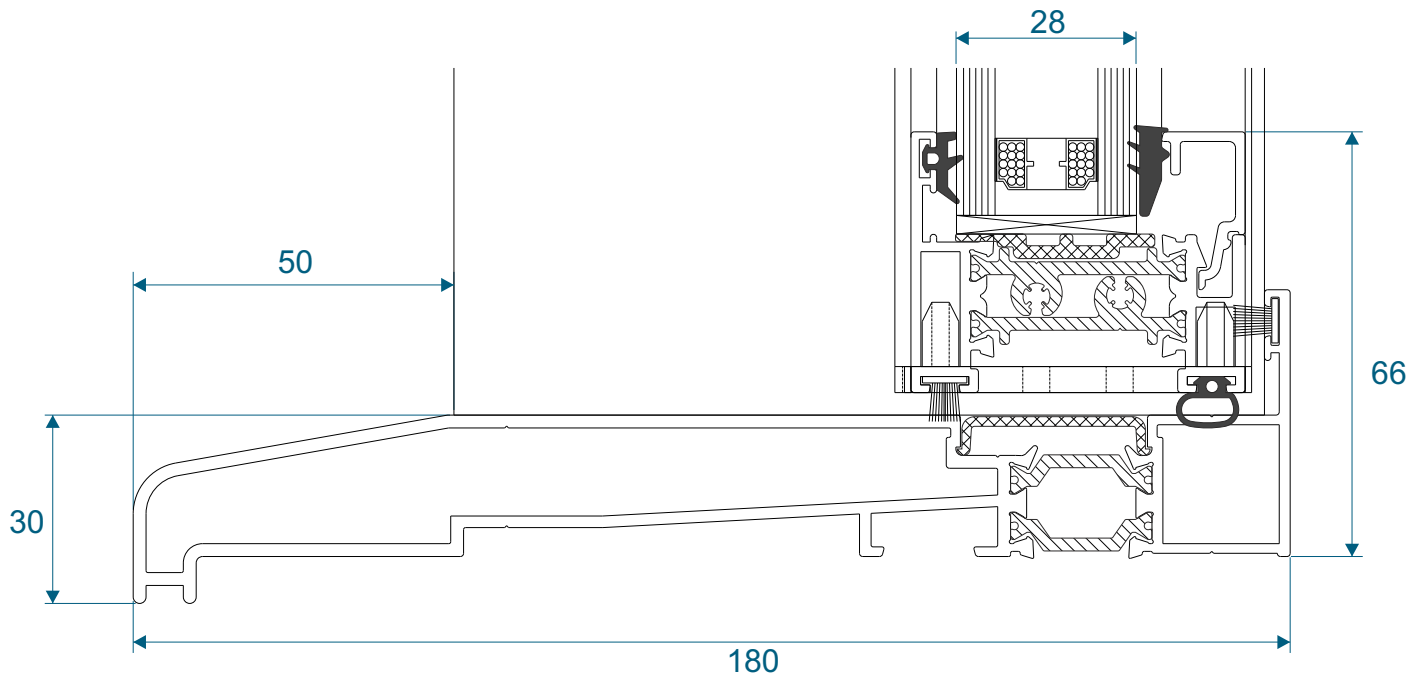


With Deep Bottom Rail

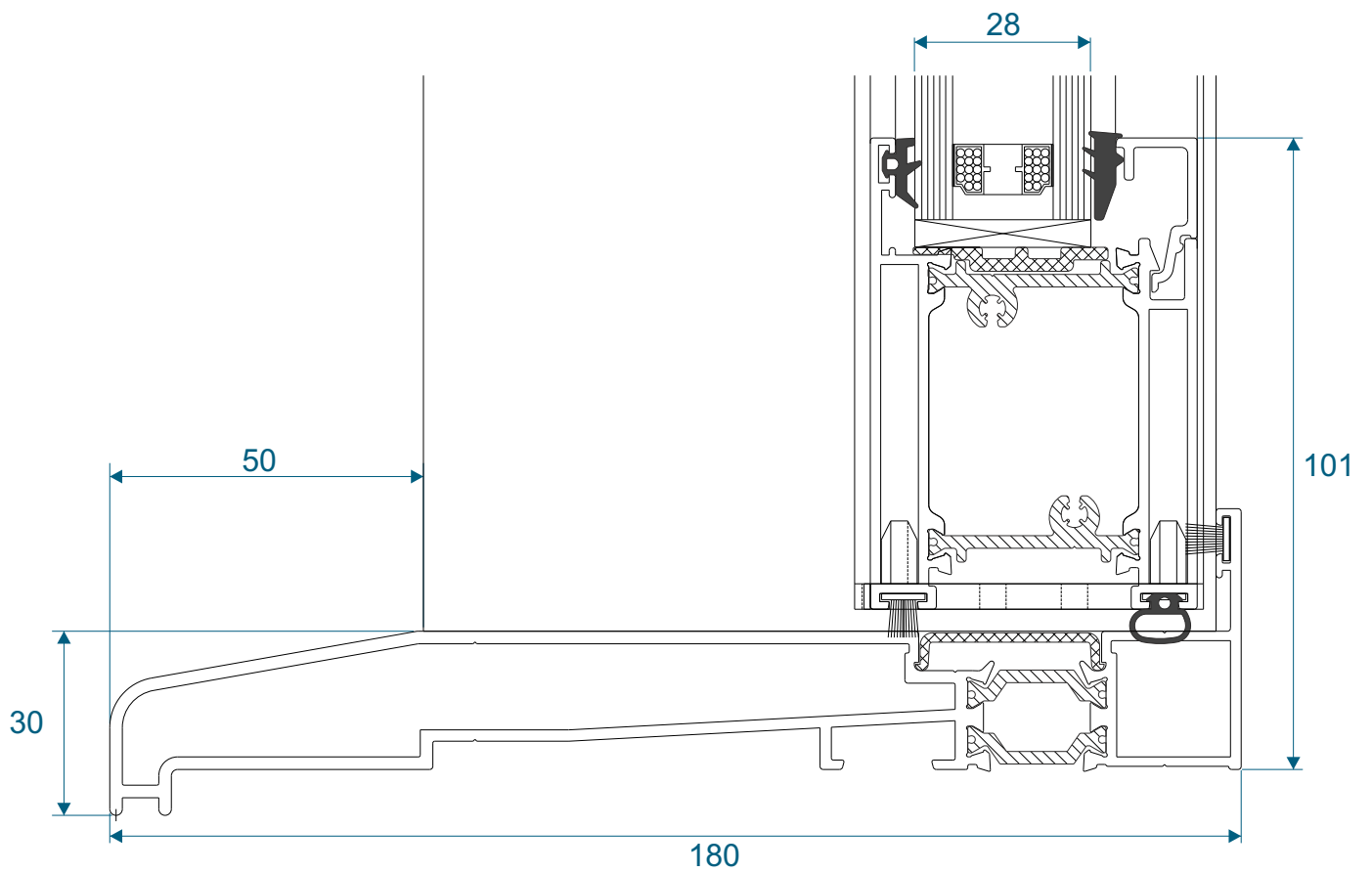


Sections - Projection Cill

With Slim Bottom Rail

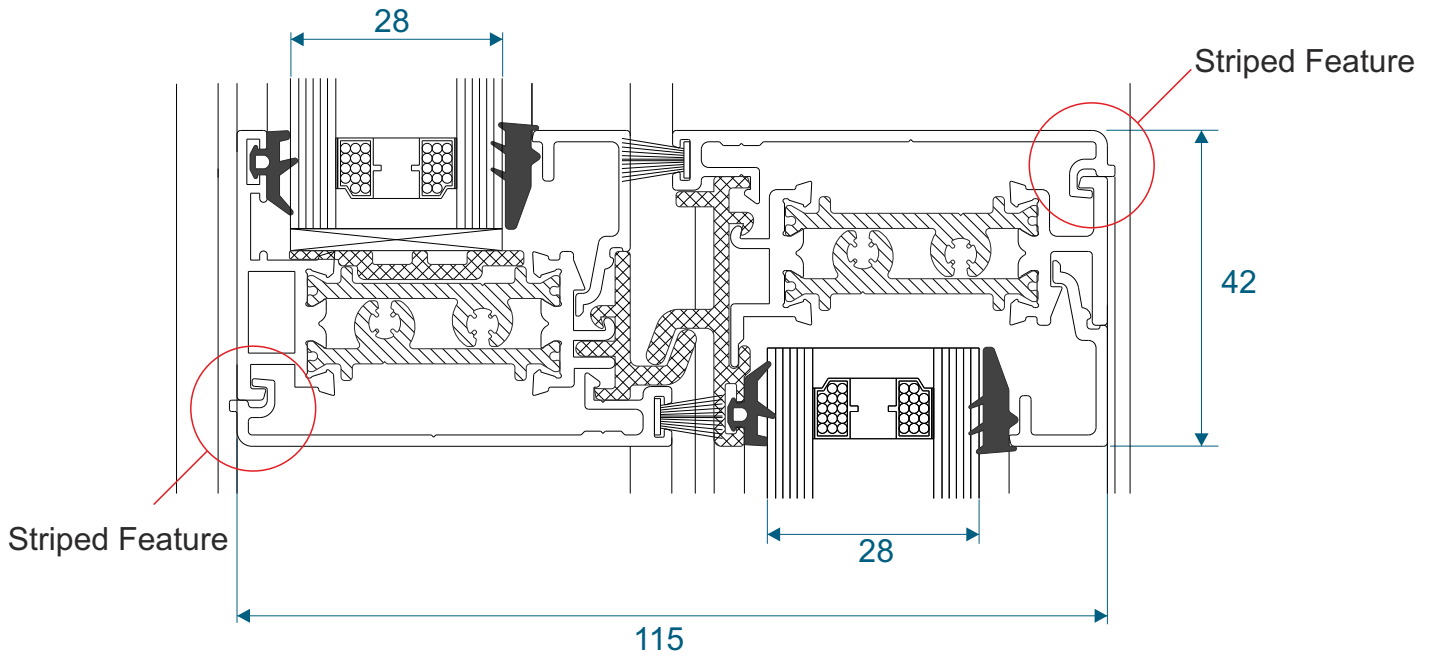


With Deep Bottom Rail

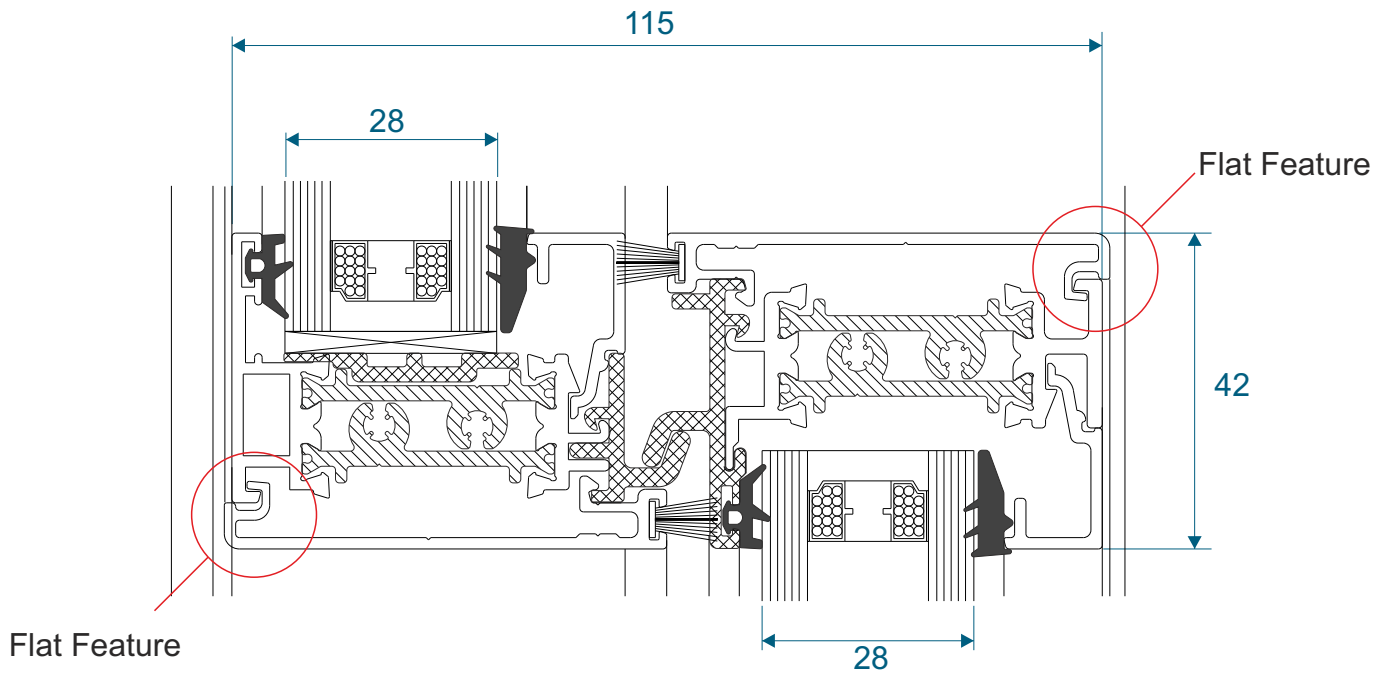


Sections - Interlock

Striped Sash

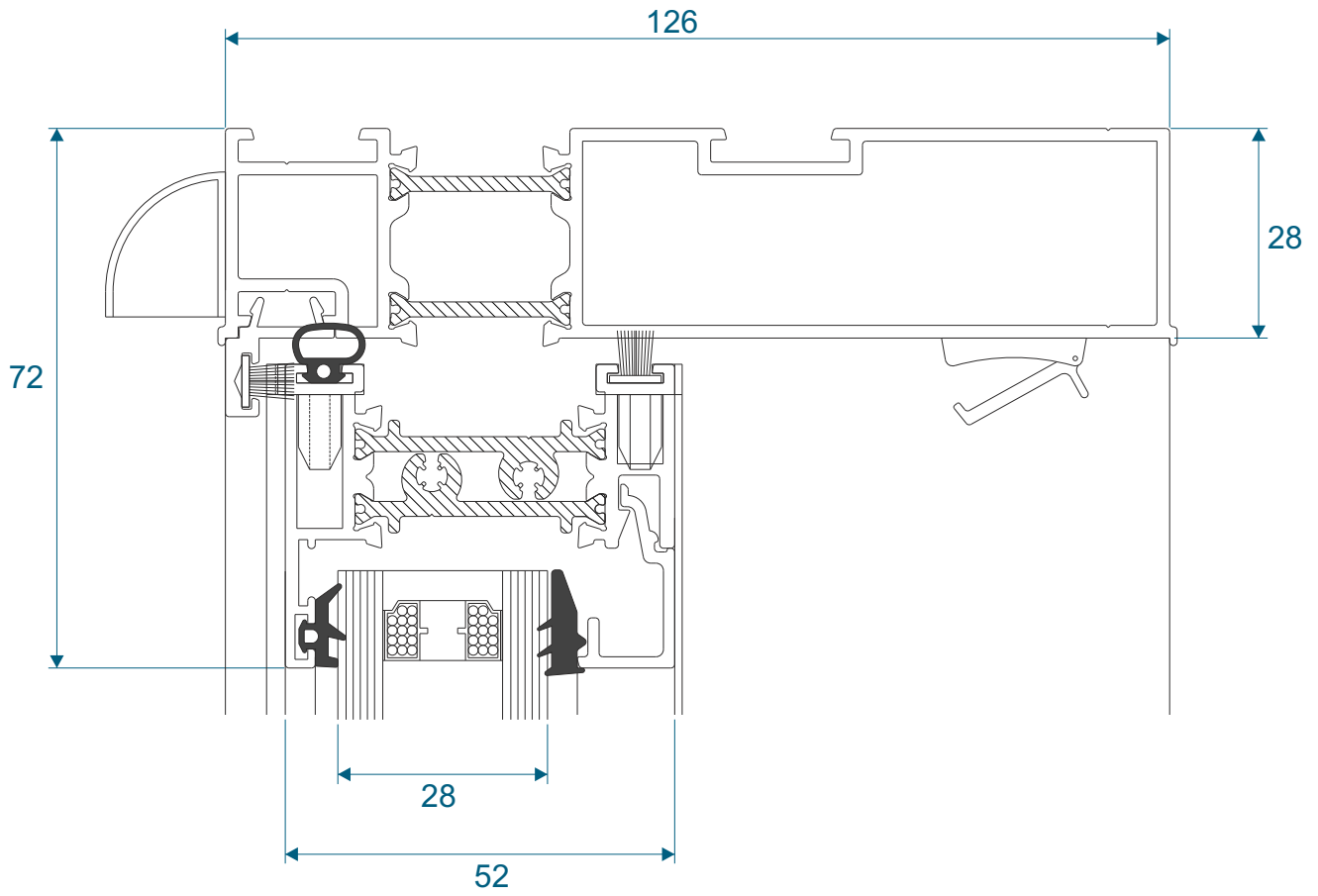


Flat Sash



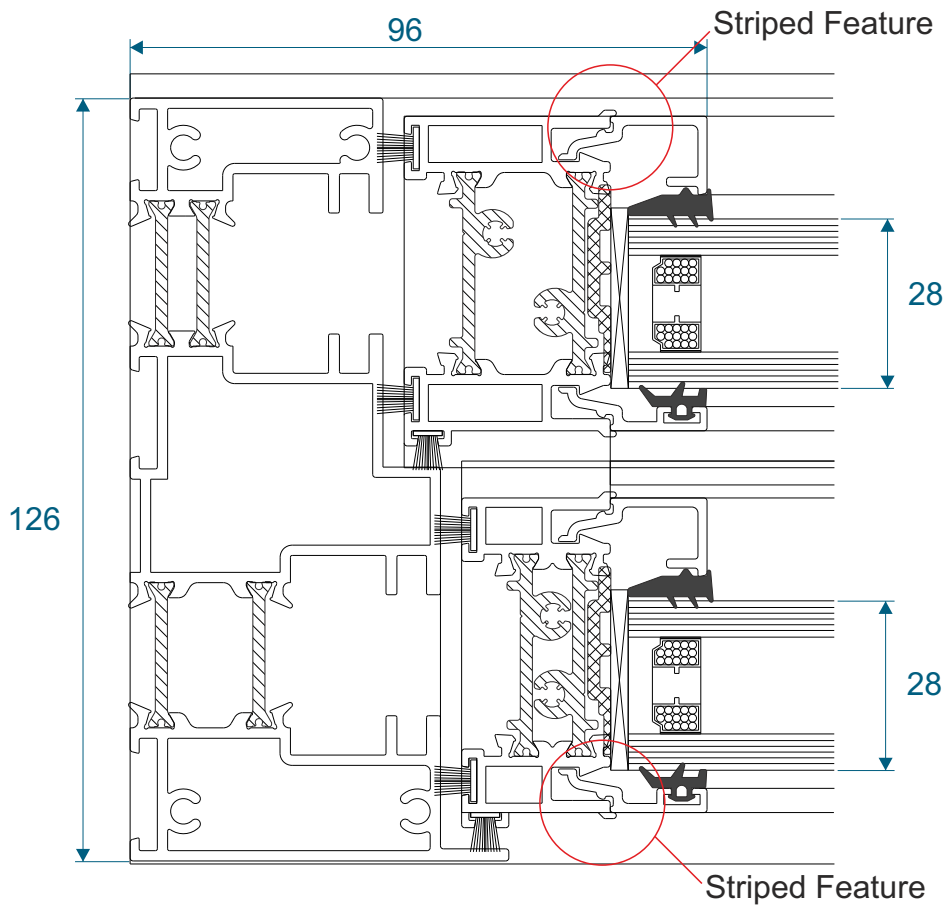
Sections - Head

With Optional Trickle Vent

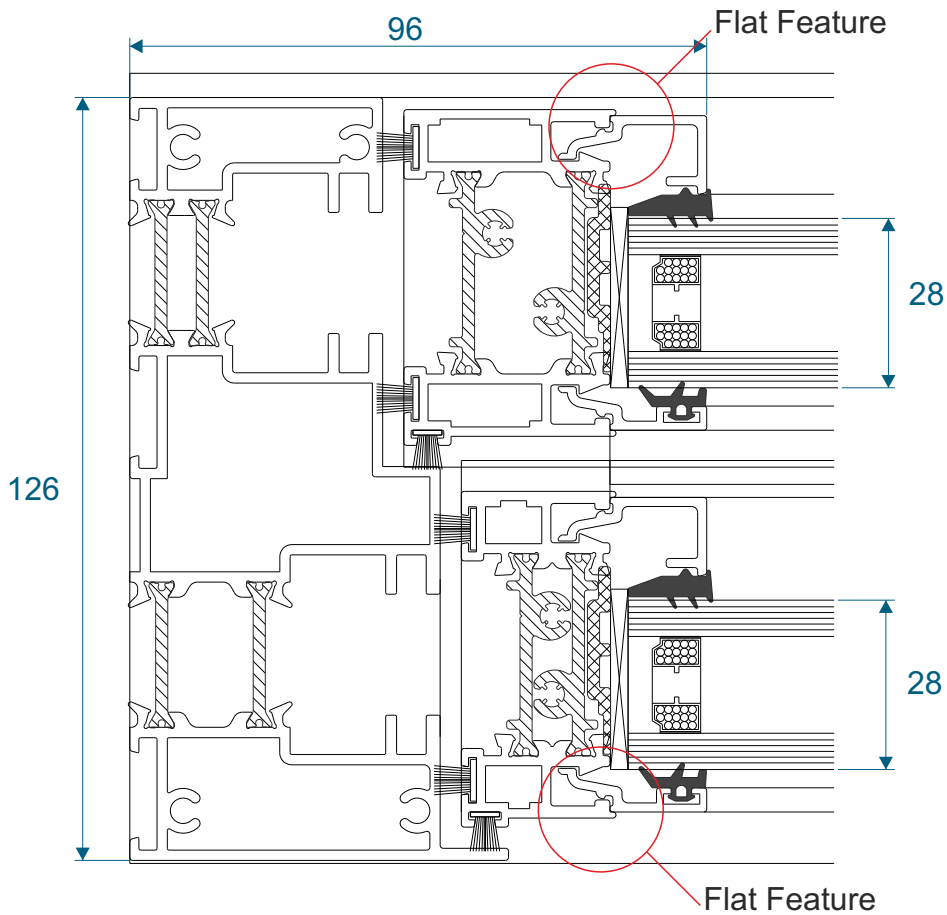


Sections - Deep Jamb

Striped Sash

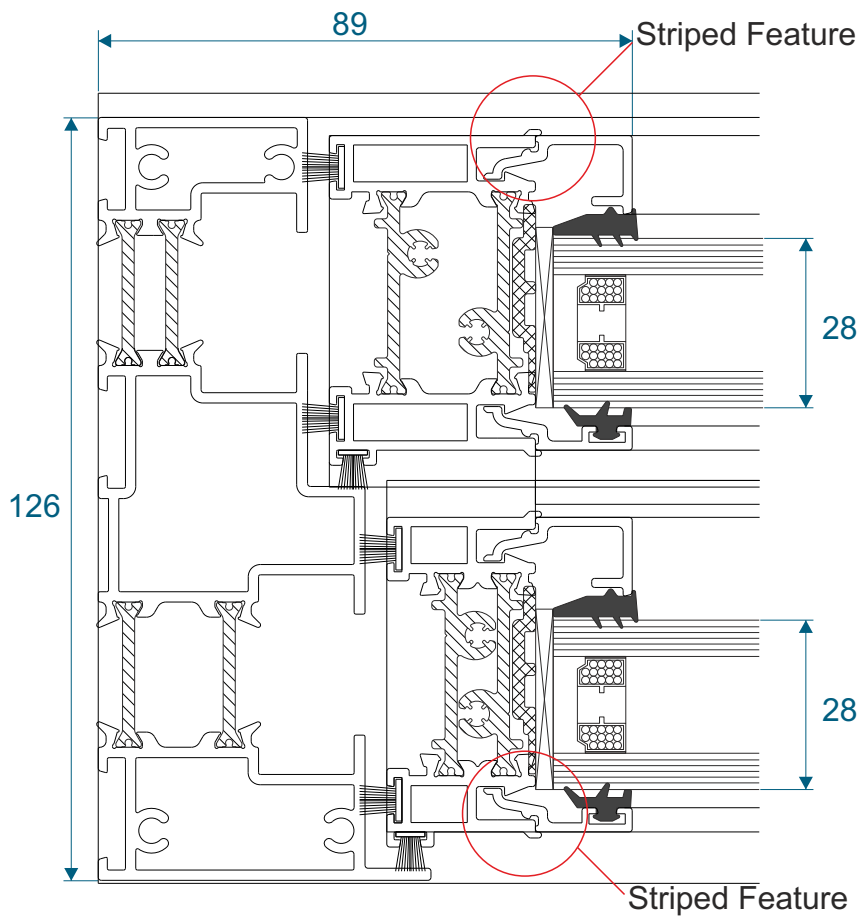


Flat Sash

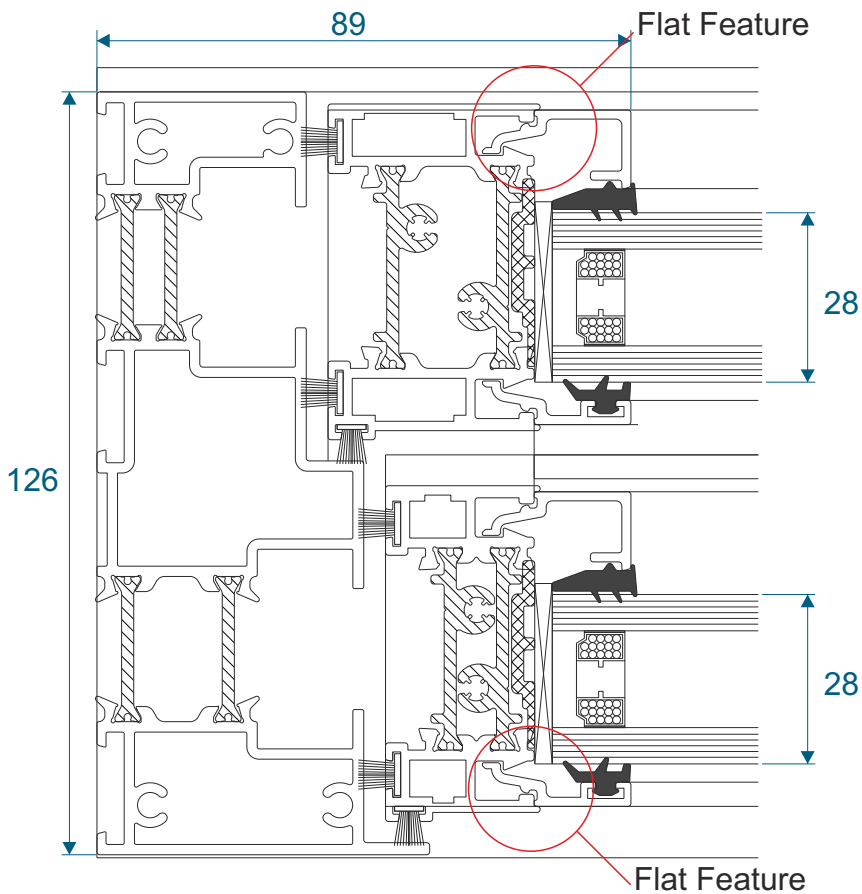


Sections - Slim Jamb

Striped Sash



Flat Sash



Main Office & Factory

Units 4-5, t: 01268 681612 (15 lines)
Charfleets Road, f: 01268 510058
Canvey Island, e: sales@duration.co.uk
Essex. SS8 0PQ w: www.duration.co.uk

Grand Design Exhibition Centre

Unit 1 Casino Parade, t: 01268 695100
Eastern Esplanade,
Canvey Island, SatNav Directions
Essex. SS8 7FJ Use: SS8 7DN.