

Measuring For Odd Leg Windows

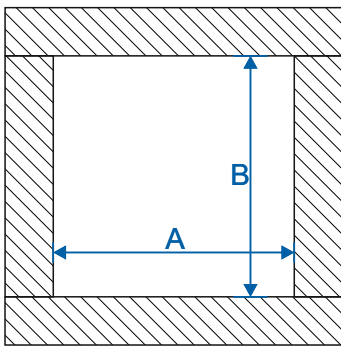
When processing an odd leg window we will require one of the following 3 sizes:

1. The tight internal timber sizes.
2. The short leg sizes (inc. fitting tolerance).
3. The long leg sizes (inc. fitting tolerance).

When ordering please state which of these sizes have been provided so staff can correctly process your windows.

Timber Frame Sizes

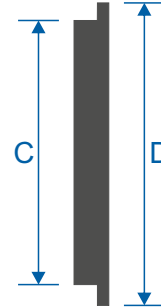
Front View



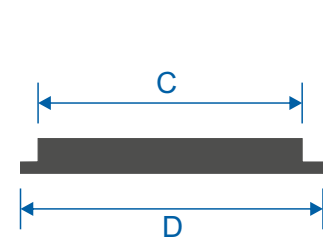
Sizes A & B are the tight internal timber sizes.

Window Sizes

Side View



Top View



C shows the short leg sizes.
D shows the long leg sizes.

Sizing Charts

Chart One - size of a single odd leg.

Chart Two - what to add to the short leg sizes to calculate the long leg size of the window.

Chart Three - what to add to the internal timber sizes to get the long leg size of the window.

Chart One	
Product	Leg Size
Royale Stepped	12.5mm
Royale Puttyline	12.5mm
Heritage Stepped	15mm
Duratherm 300	15mm
Premium / Plus	17mm

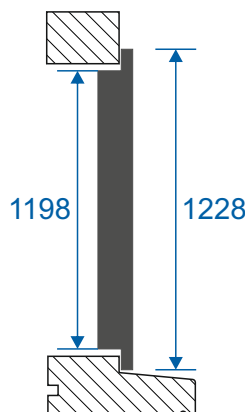
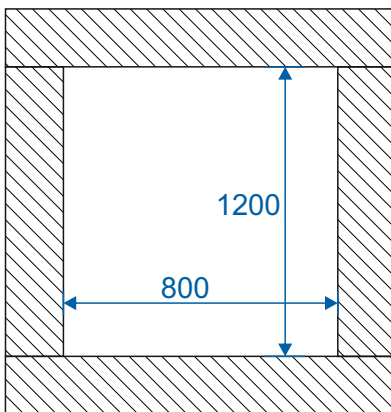
Chart Two	
Product	Add
Royale Stepped	25mm
Royale Puttyline	25mm
Heritage Stepped	30mm
Duratherm 300	30mm
Premium / Plus	34mm

Chart Three	
Product	Add
Royale Stepped	23mm
Royale Puttyline	23mm
Heritage Stepped	28mm
Duratherm 300	28mm
Premium / Plus	32mm

Note that sizes in Chart Two do not include a fitting tolerance. Please deduct as needed.

Note that sizes in Chart Three include a 2mm tolerance for fitting. Please deduct more if needed.

Size Example - Based on Heritage Stepped window



Internal timber sizes: 800mm x 1200mm

Width:

$800 + 28 = 828\text{mm}$ long leg size
This makes the short leg size inc tolerance:
 $828 - 30 = 798\text{mm}$

Height:

$1200 + 28 = 1228\text{mm}$ long leg size
This makes the short leg size inc tolerance:
 $1228 - 30 = 1198\text{mm}$

