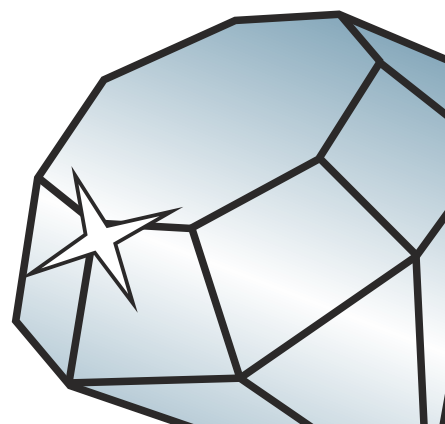


Royale Putty-line

Coupled Section Identification



DURATION
WINDOWS

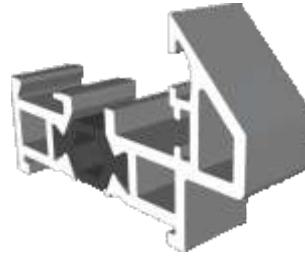
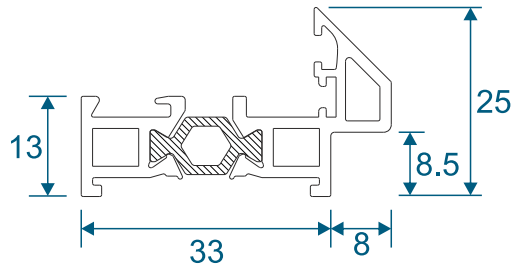


Contents

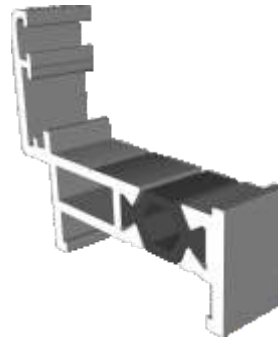
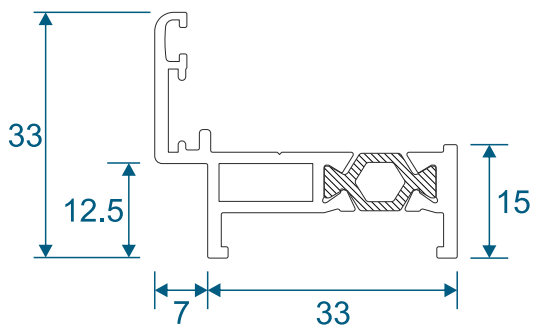
Outer Frames	3
Sash & Beads	4
Couplers	5
Extensions & Cills	6
Astragal Bars	7
Fixed Windows	8
Equal Leg	
Equal Leg With Cill	
Odd Leg	
Opening Windows	9
Equal Leg	
Equal Leg With Cill	
Odd Leg	
Extensions For Trickle Vents	10
Equal Leg Fixed Window	
Equal Leg Opening Window	
Hidden Coupler	11
Fixed Next To Fixed	
Opener Next To Fixed	
Vertical Coupler	12
Fixed Next To Fixed	
Opener Next To Fixed	
Opener Next To Opener	
Horizontal Coupler	13 - 14
Fixed Over A Fixed	
Opener Over A Fixed	
Opener Over An Opener	
Astragal Bars	15
'A' Shaped In & Out	
19mm Flat In - 'A' Shaped Out	
19mm Flat In & Out	
25mm Flat In & Out	
Coupling Help	16 - 17

Outer Frames

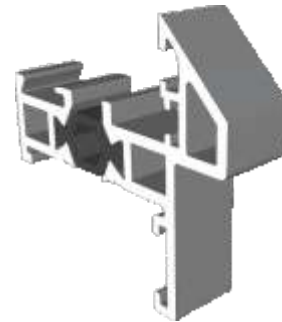
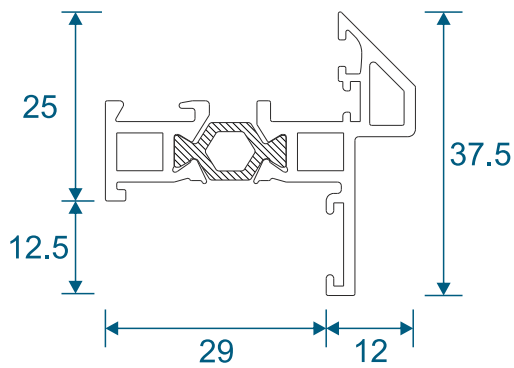
SW0006-0028 - Fixed Equal Leg



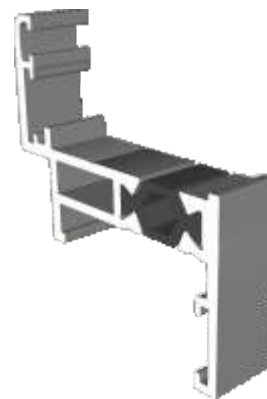
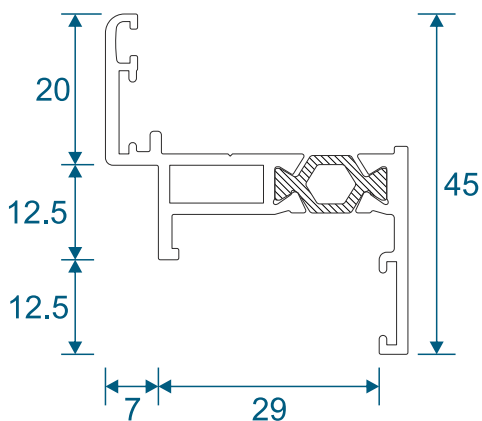
SW0001-0002 - Opener Equal Leg



SW0006-0029 - Fixed Odd Leg

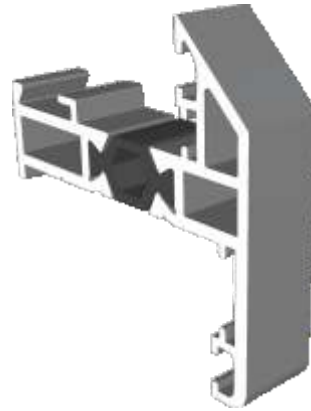
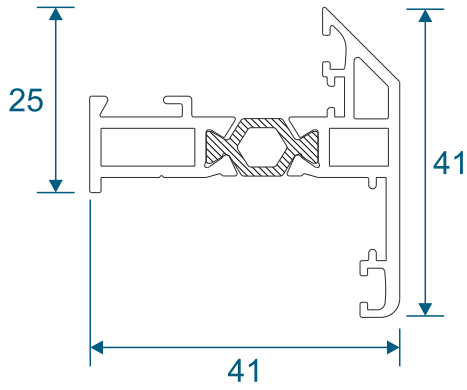


SW0001-0003 - Opener Odd Leg

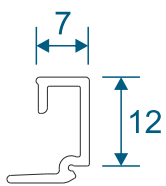


Sash & Beads

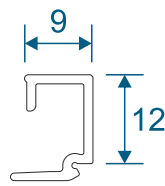
SW0004-0030 - Sash



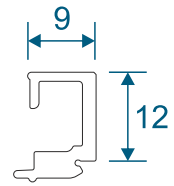
SW0025 - Fixed Bead



SW0011 - Opener Bead

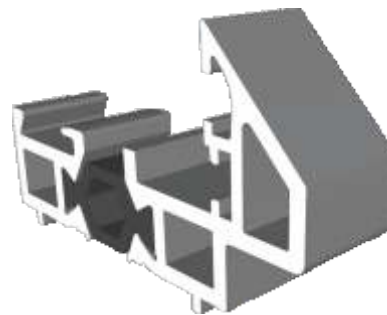
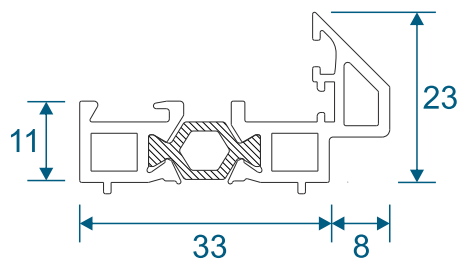


SW0012 - Handle Bead

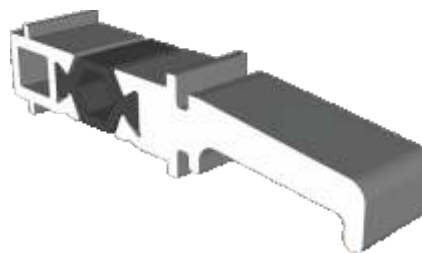
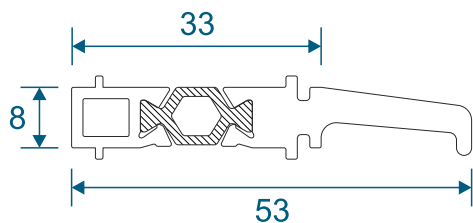


Couplers

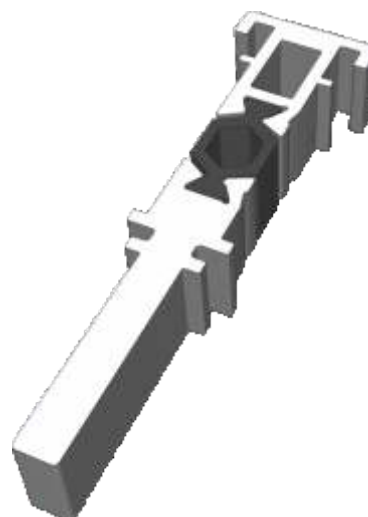
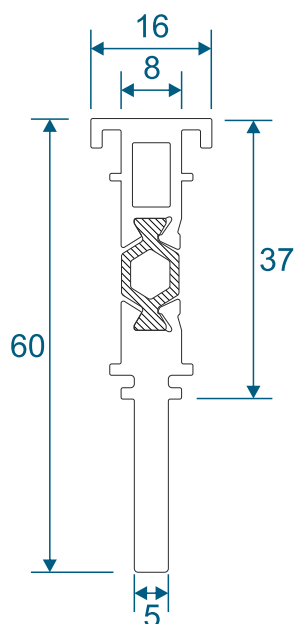
SW0009-0027 - Fixed Hidden Coupler



SW0017-0016 - Horizontal Drip Bar Coupler



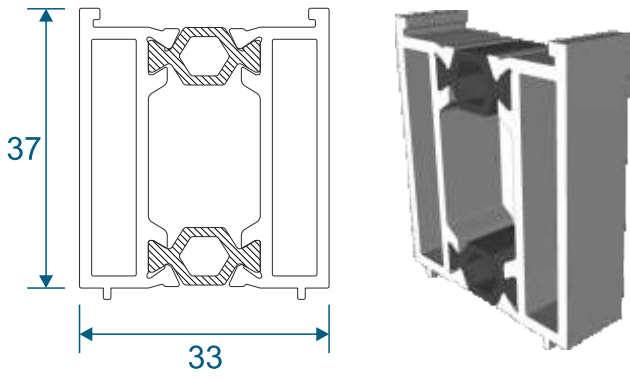
SW0014-0015 - Vertical Coupler



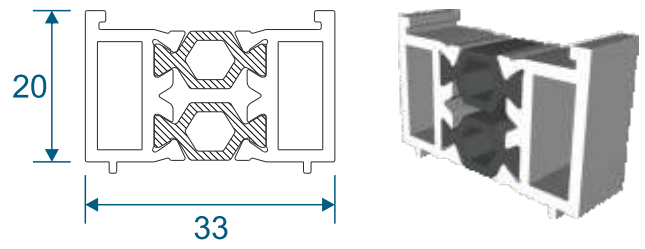
Extensions & Cills

SW0018-0018 - 37mm Extension

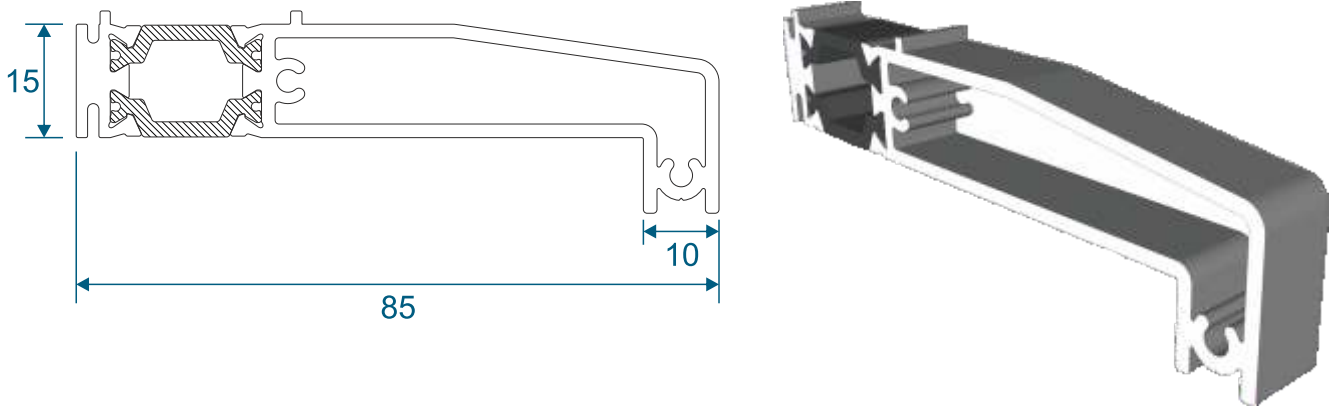
For Trickle Vents



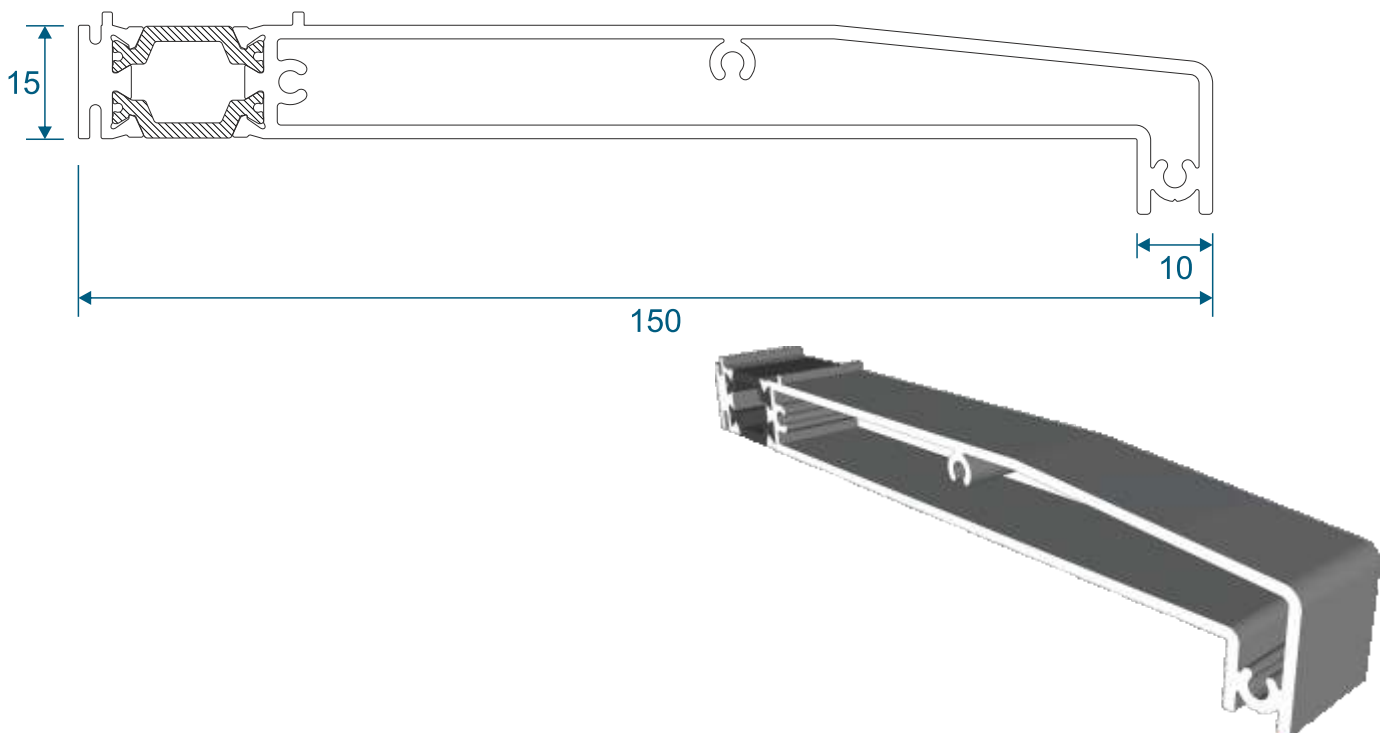
SW0026-0026 - 20mm Frame Extension



SW0022-0023 - 85mm Cill

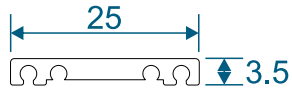


SW0022-0024 - 150mm Cill

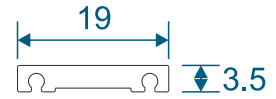


Astragal Bars

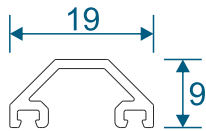
ZSB246 - 25mm Flat Astragal Bar



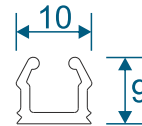
ETC582 - 19mm Flat Astragal Bar



SW0031 - 'A' Shaped Astragal Bar

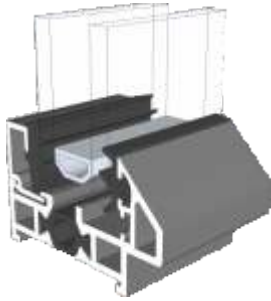
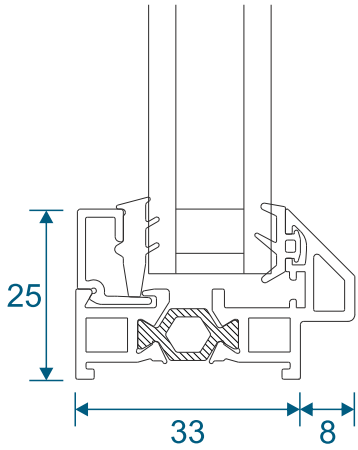


DUR 06 - Clip For 'A' Shaped Astragal Bar

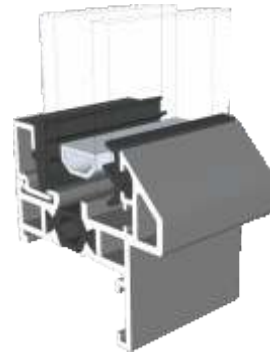
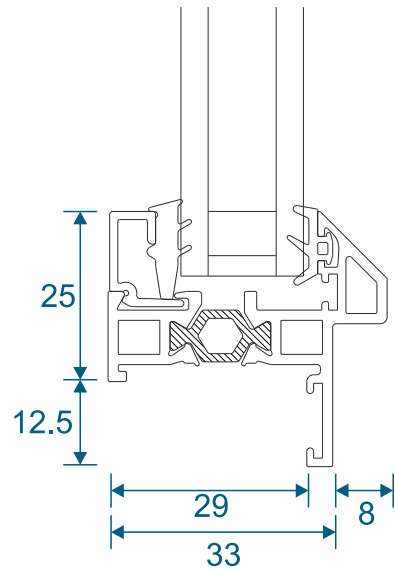


Fixed Windows

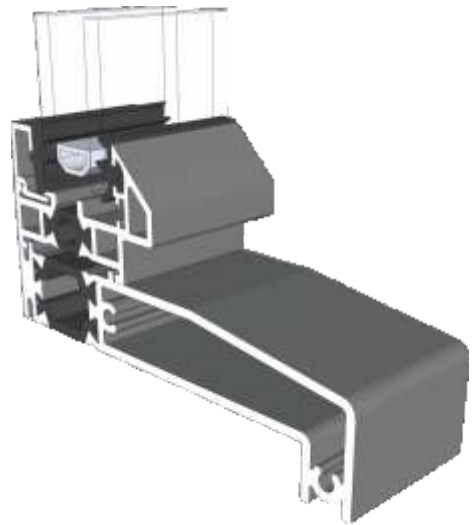
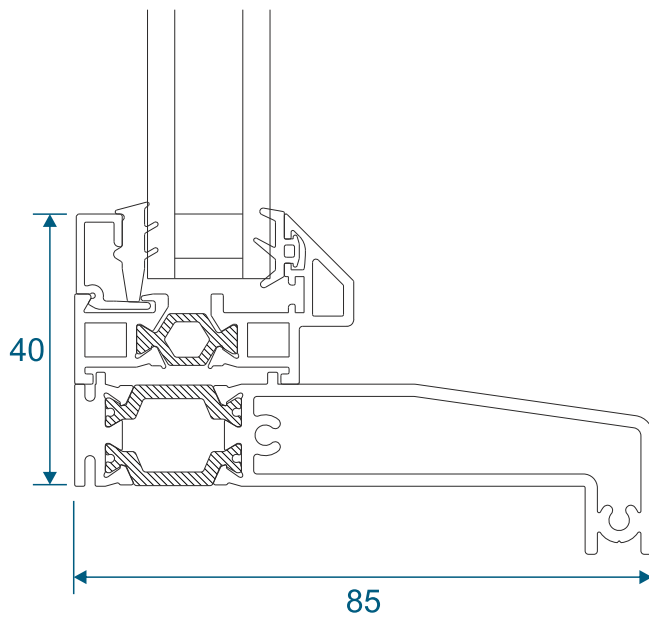
SW0006-0028 - No Cill



SW0006-0029 - Odd Leg

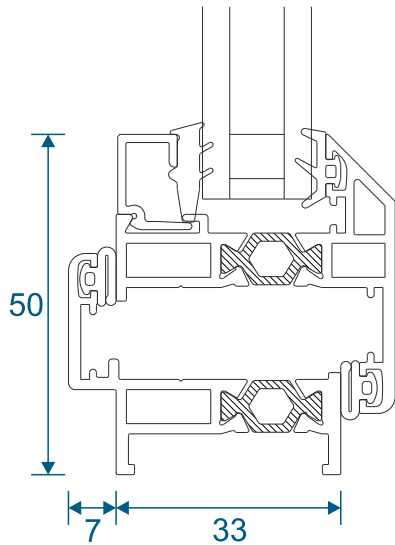


SW0006-0028 - With 85mm Cill

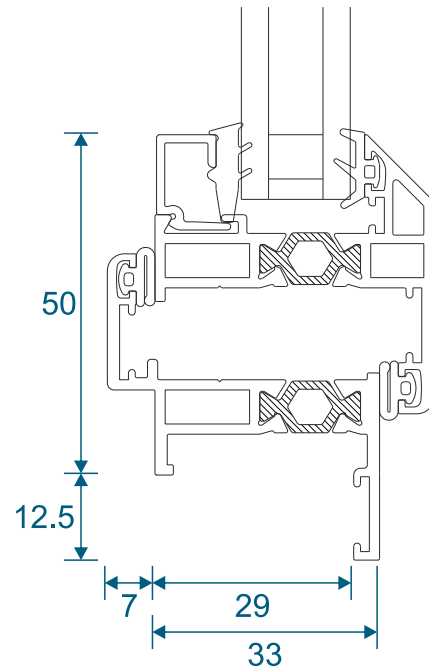


Opening Windows

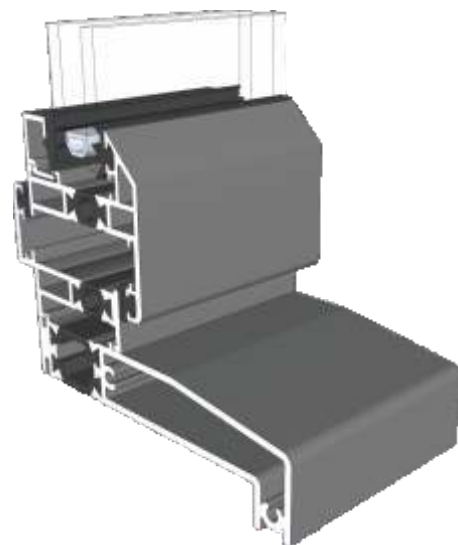
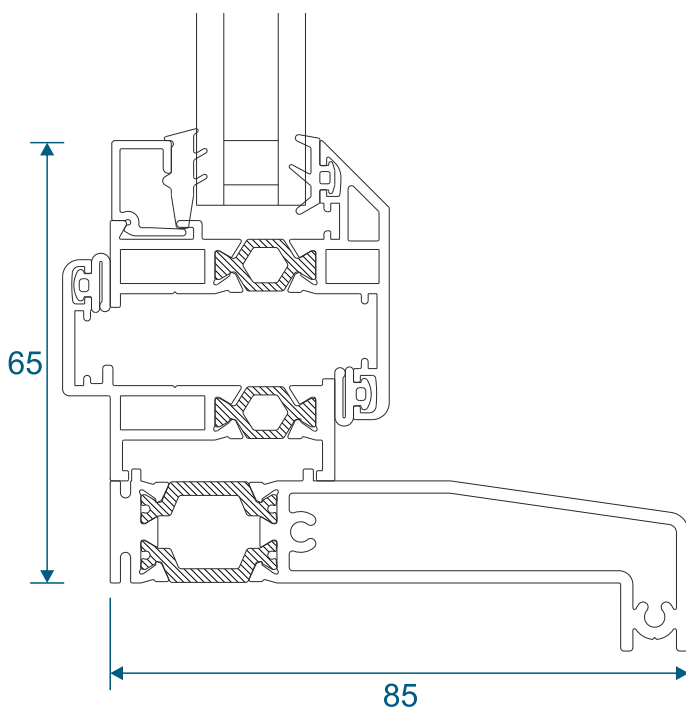
SW0001-0002 - No Cill



SW0001-0003 - Odd Leg

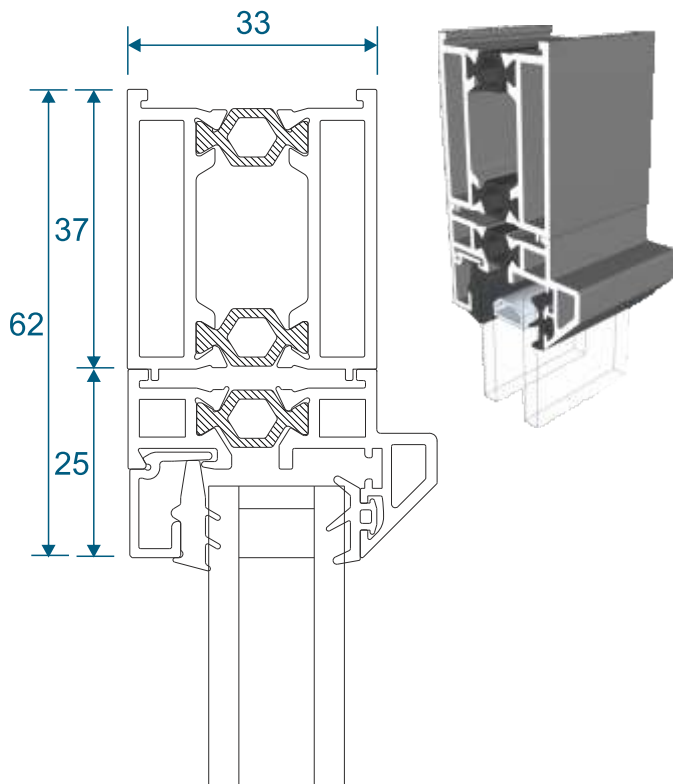


SW0001-0002 - With 85mm Cill

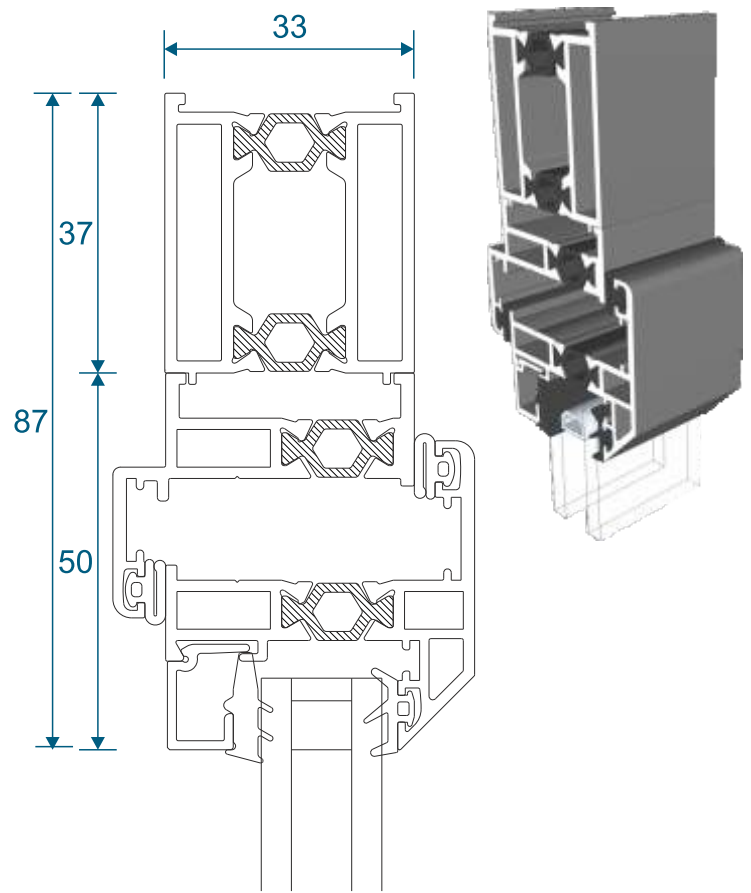


Head With Extensions

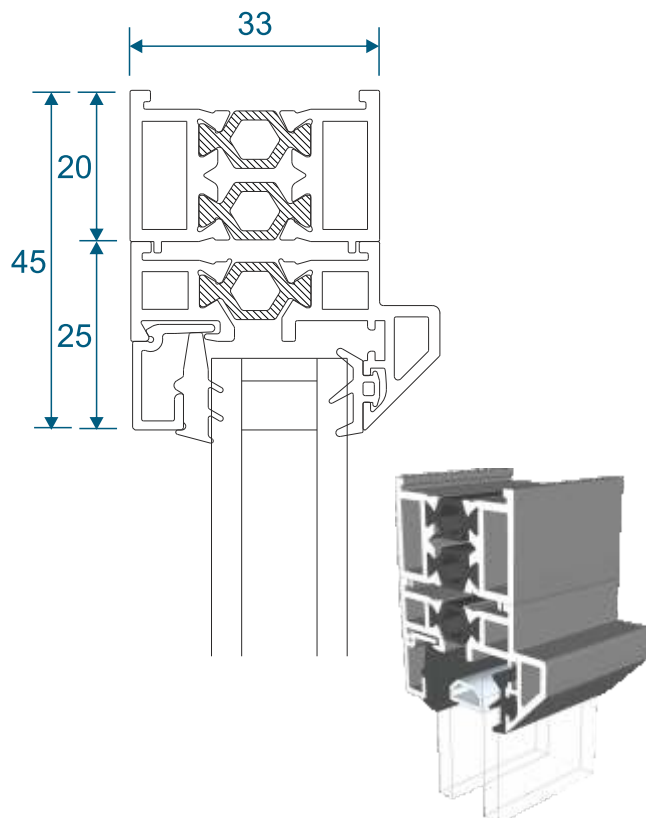
SW0006-0028 With 37mm Extension



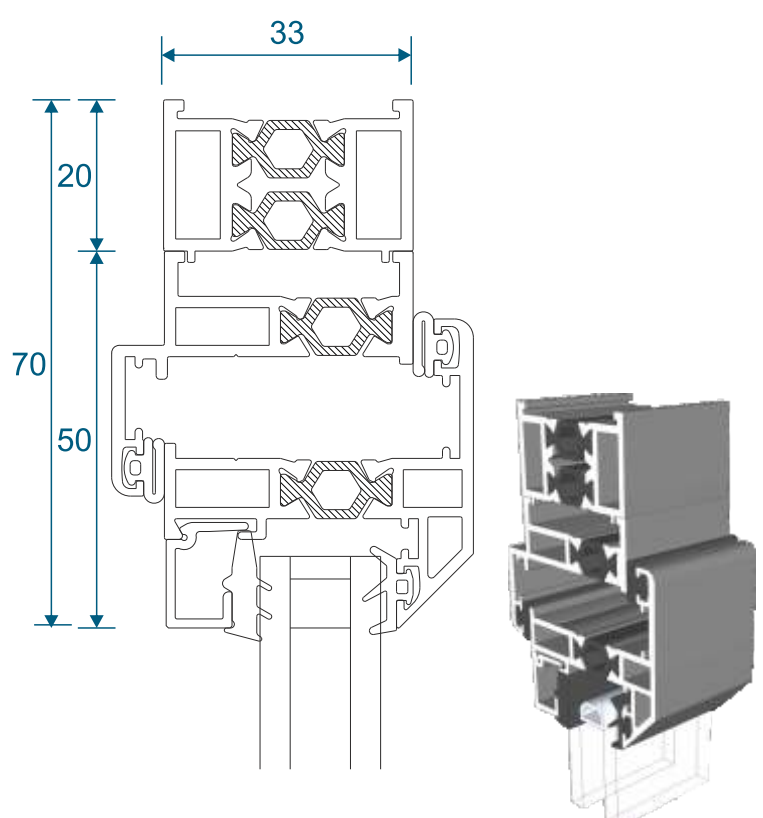
SW0001-0002 With 37mm Extension



SW0006-0028 With 20mm Extension

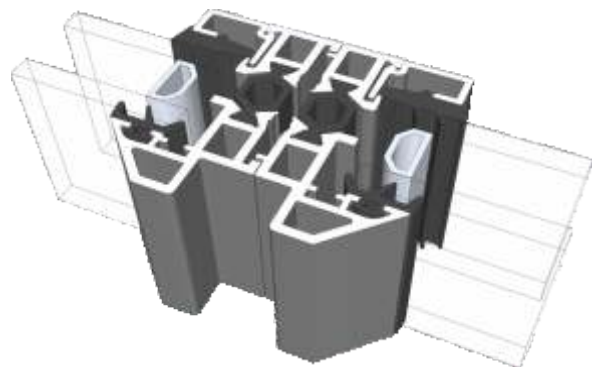
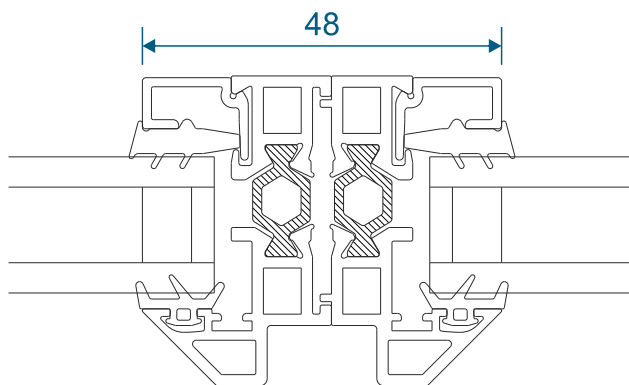


SW0001-0002 With 20mm Extension

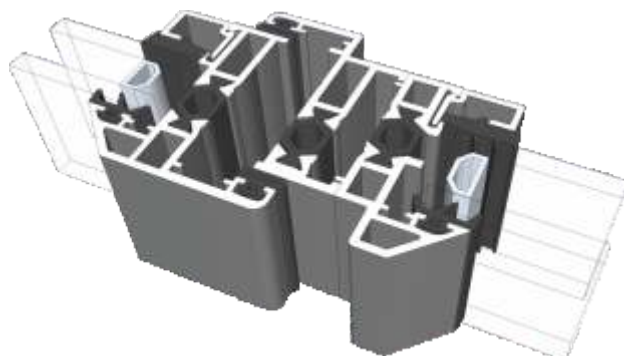
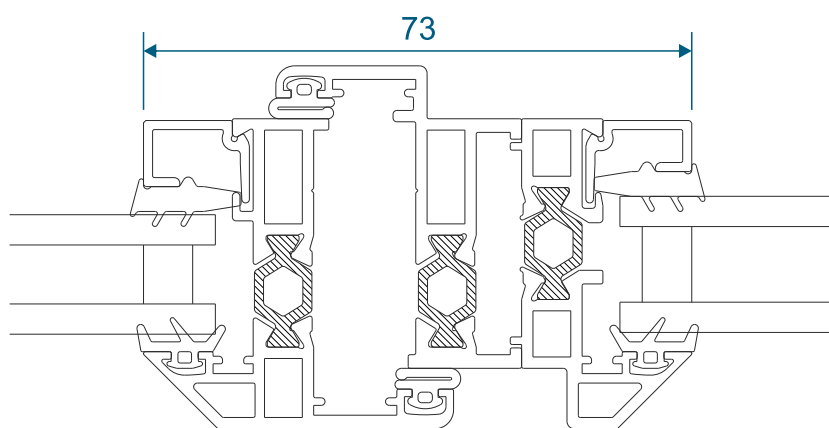


Hidden Coupler

Fixed Next To Fixed

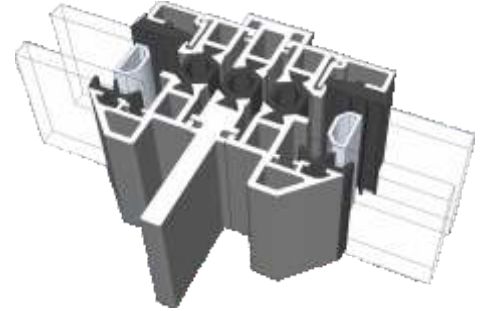
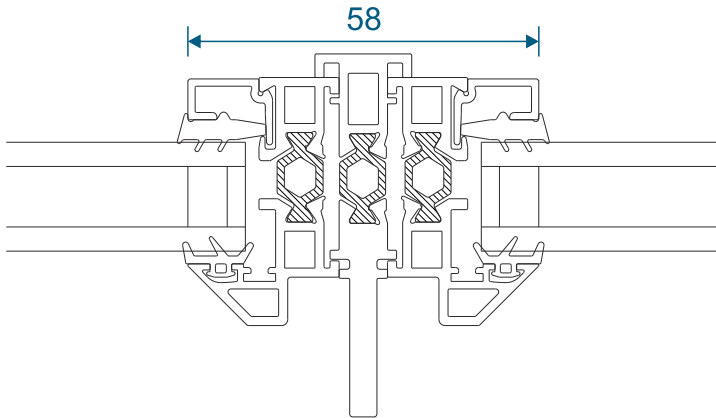


Opener Next To Fixed

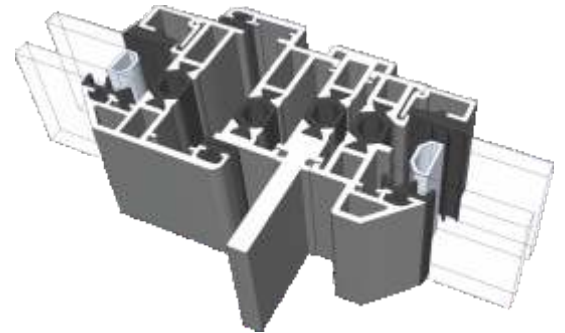
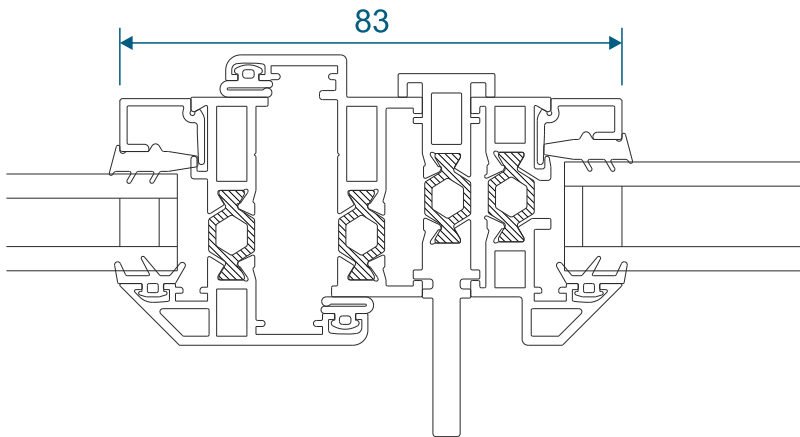


Vertical Coupler

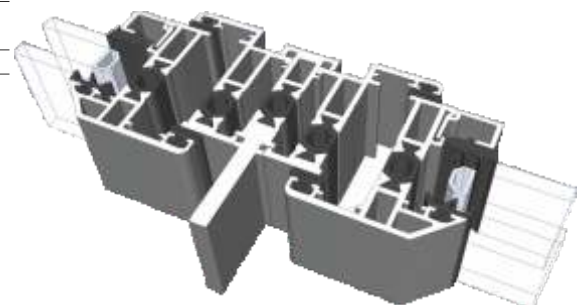
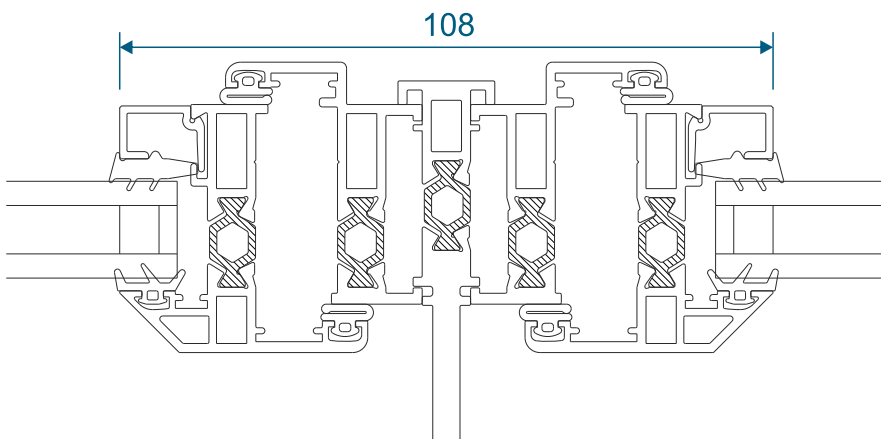
Fixed Next To Fixed



Opener Next To Fixed

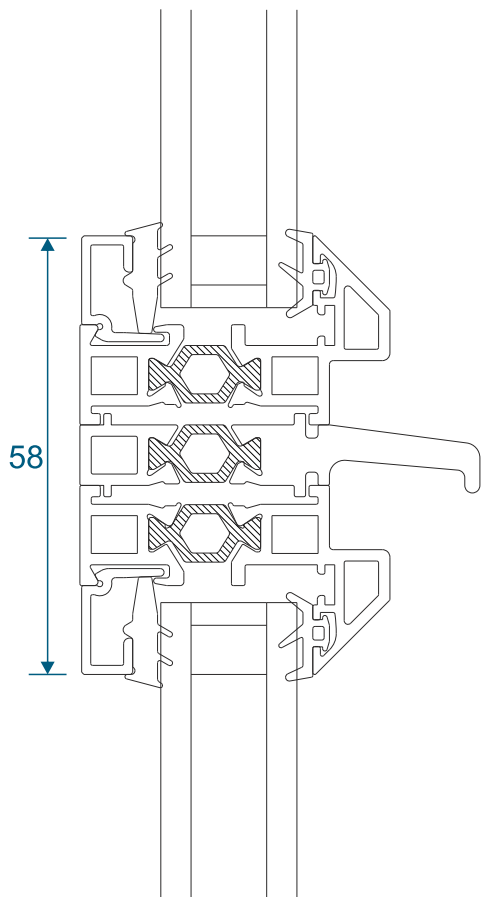


Opener Next To Opener

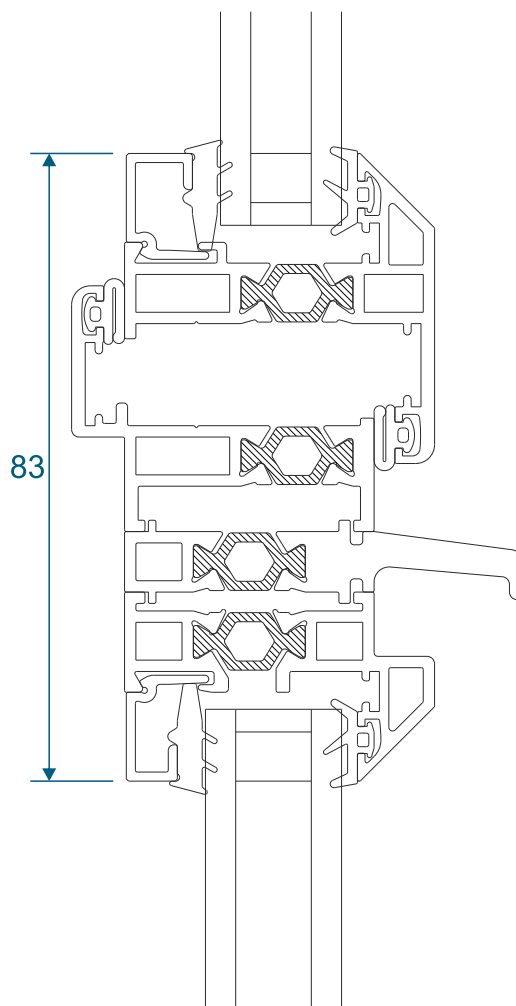


Horizontal Drip Bar Coupler

Fixed Over A Fixed

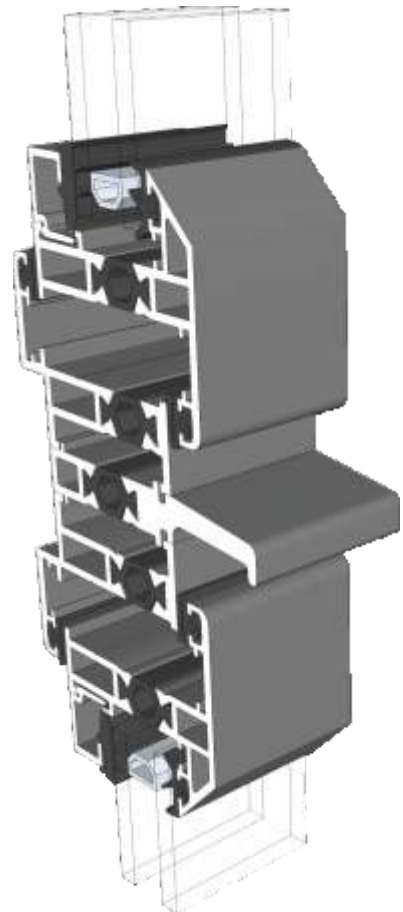
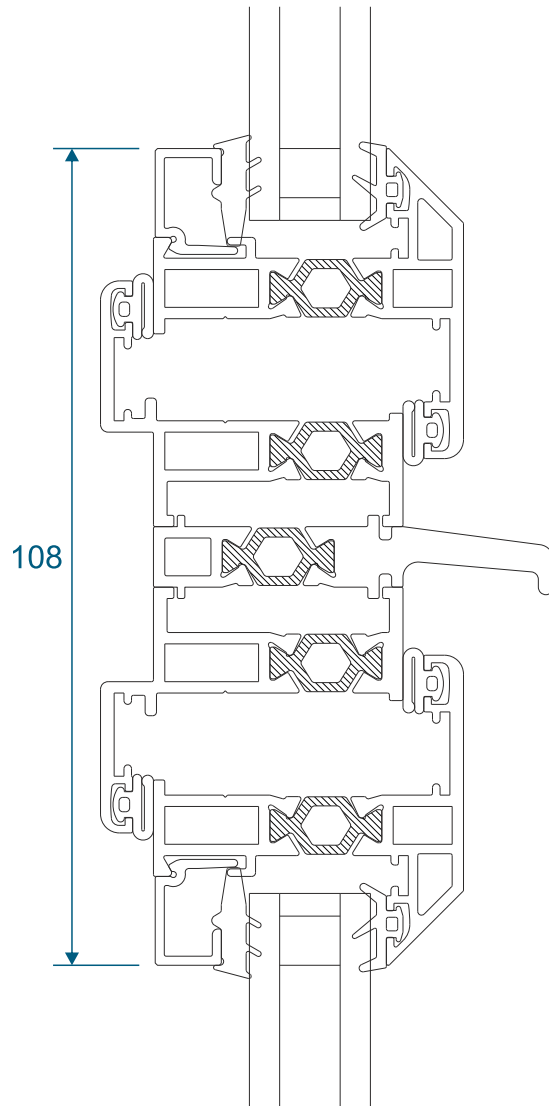


Opener Over A Fixed



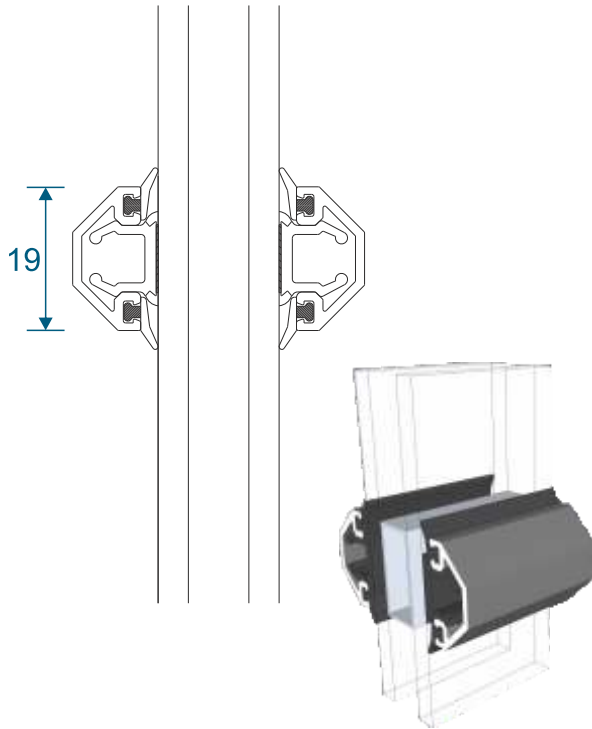
Horizontal Drip Bar Coupler

Opener Over An Opener

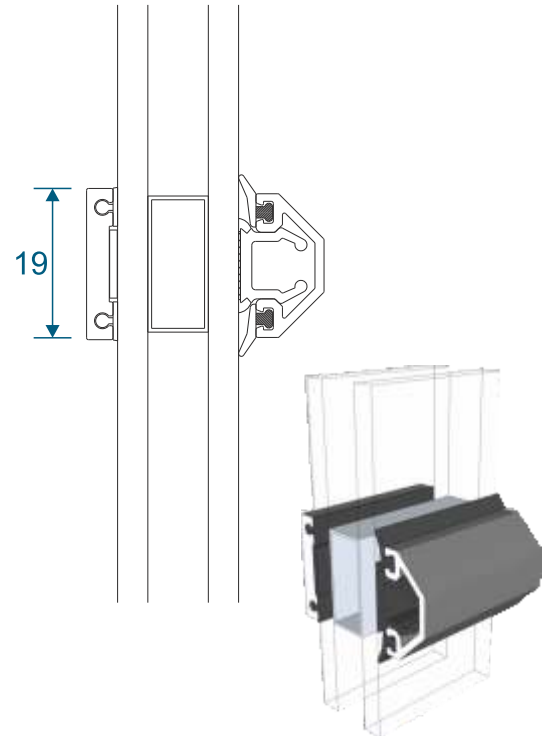


Astragal Bars

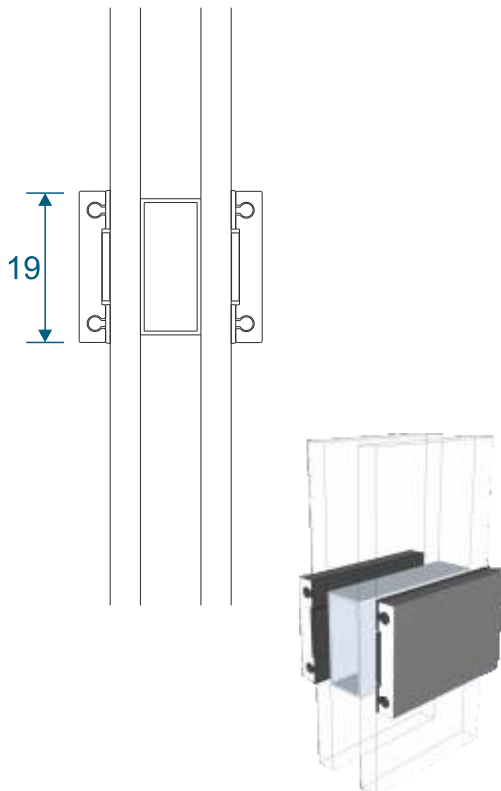
'A' Shaped In And Out



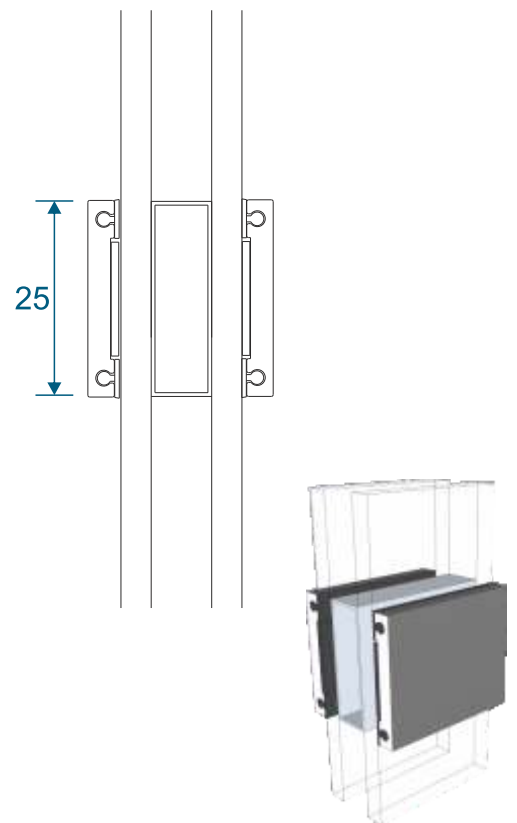
'A' Shaped Out / 19mm Flat In



19mm Flat In And Out



25mm Flat In And Out



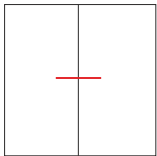
Coupling Help

Coupling Configurations

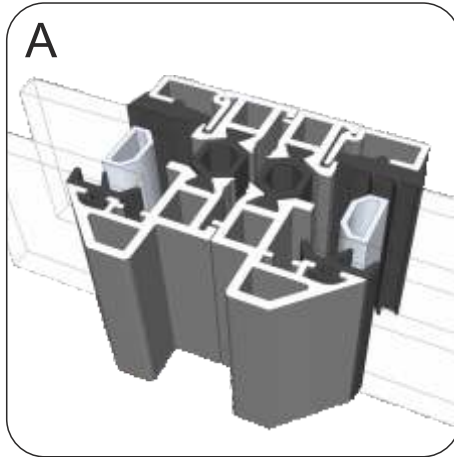
Royale Putty-line window configurations are made up of individual windows which are then coupled together. Below shows the vertical methods of coupling and overleaf shows the horizontal methods of coupling the Royale Putty-line window along with some window combinations and the options available when coupling. Please note these coupling bars would not be used in conjunction with the odd leg frame as these would be coupled using new or existing wood frames.

Vertical Coupling

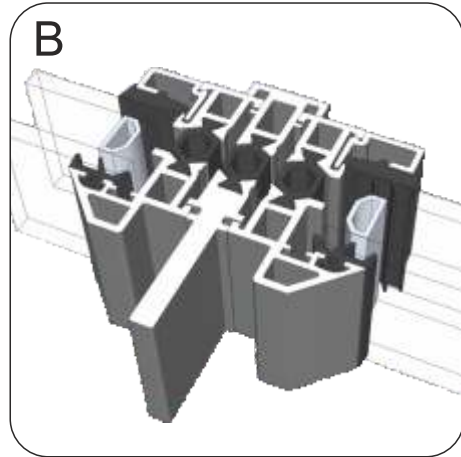
Fixed / Fixed



Option A or B

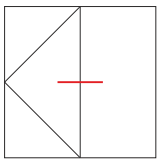


Using Hidden Coupler

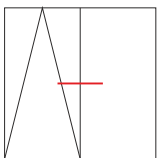


Using Vertical Coupler

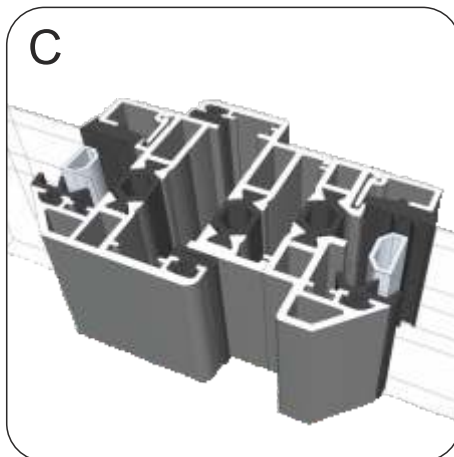
Opener / Fixed



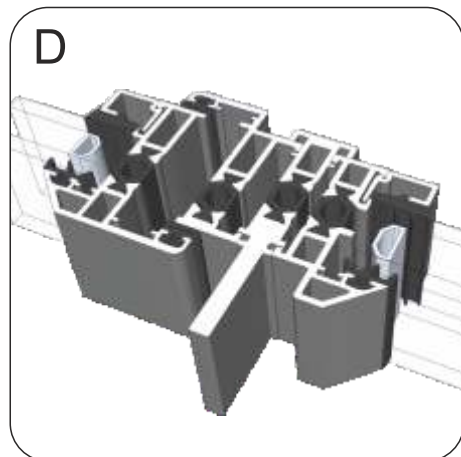
Option C or D



Option C or D

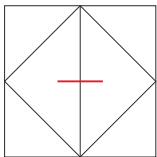


Using Hidden Coupler

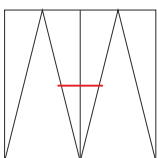


Using Vertical Coupler

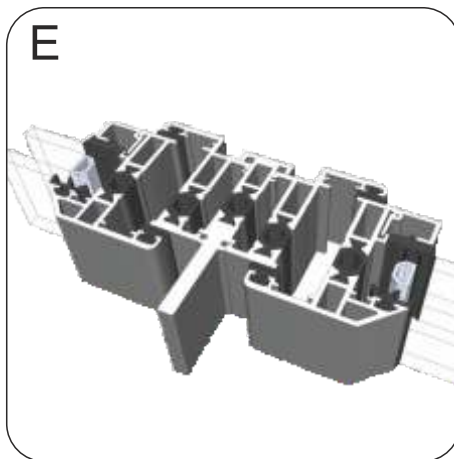
Opener / Opener



Option E only



Option E only

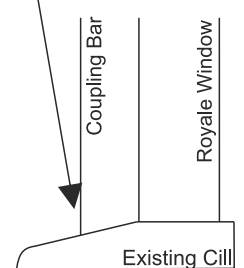
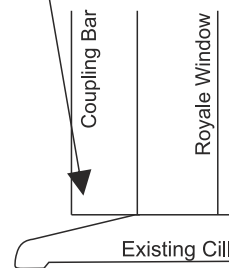


Using Vertical Coupler

The coupler will be cut to the same length as the window unless specified otherwise.

If you have a tiled window cill there may be a small gap as the cill falls away from the window.

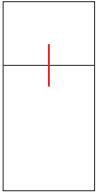
If you require we can cut the coupler oversized for you to cut on site to match in with the existing cill.



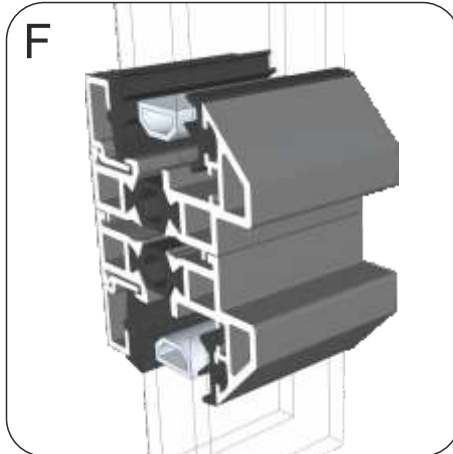
Coupling Help

Horizontal Coupling

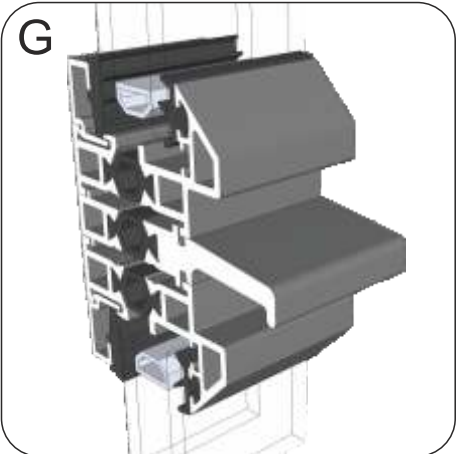
Fixed / Fixed



Option F or G

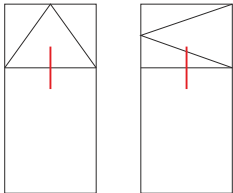


Using Hidden Coupler

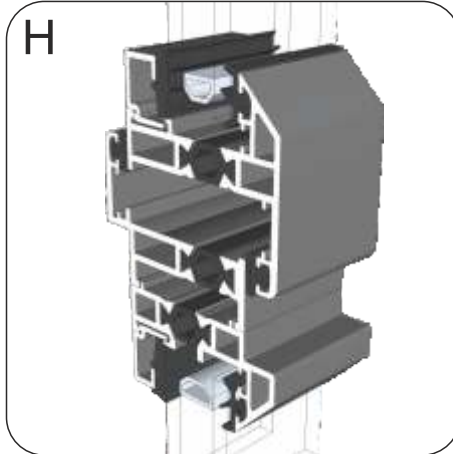


Using Drip Bar Coupler

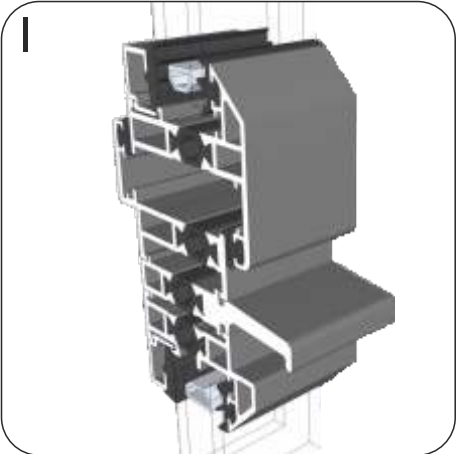
Opener / Fixed



Option H or I

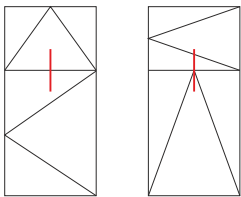


Using Hidden Coupler

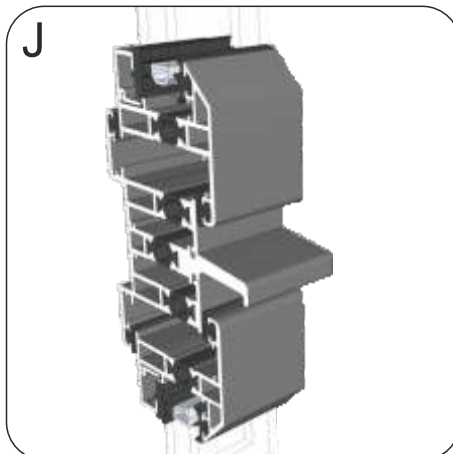


Using Drip Bar Coupler

Opener / Opener

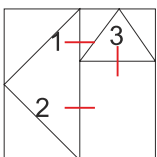


Option J Only

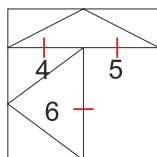


Using Drip Bar Coupler

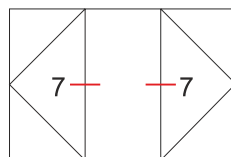
Larger Coupling Configuration Examples



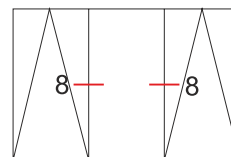
1: Option E only
2: Option D only
3: Option H or I



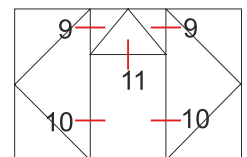
4: Option J only
5: Option I only
6: Option C only



7: Option C or D



8: Option C or D



9: Option E only
10: Option D only
11: Option H or I

Main Office & Factory

Units 4-5, t: 01268 681612 (20 lines)
Charfleets Road, f: 01268 510058
Canvey Island, e: sales@duration.co.uk
Essex. SS8 0PQ w: www.duration.co.uk

Grand Design Exhibition Centre

Unit 1 Casino Parade, t: 01268 695100
Eastern Esplanade,
Canvey Island, SatNav Directions
Essex. SS8 7FJ Use: SS8 7DN.