

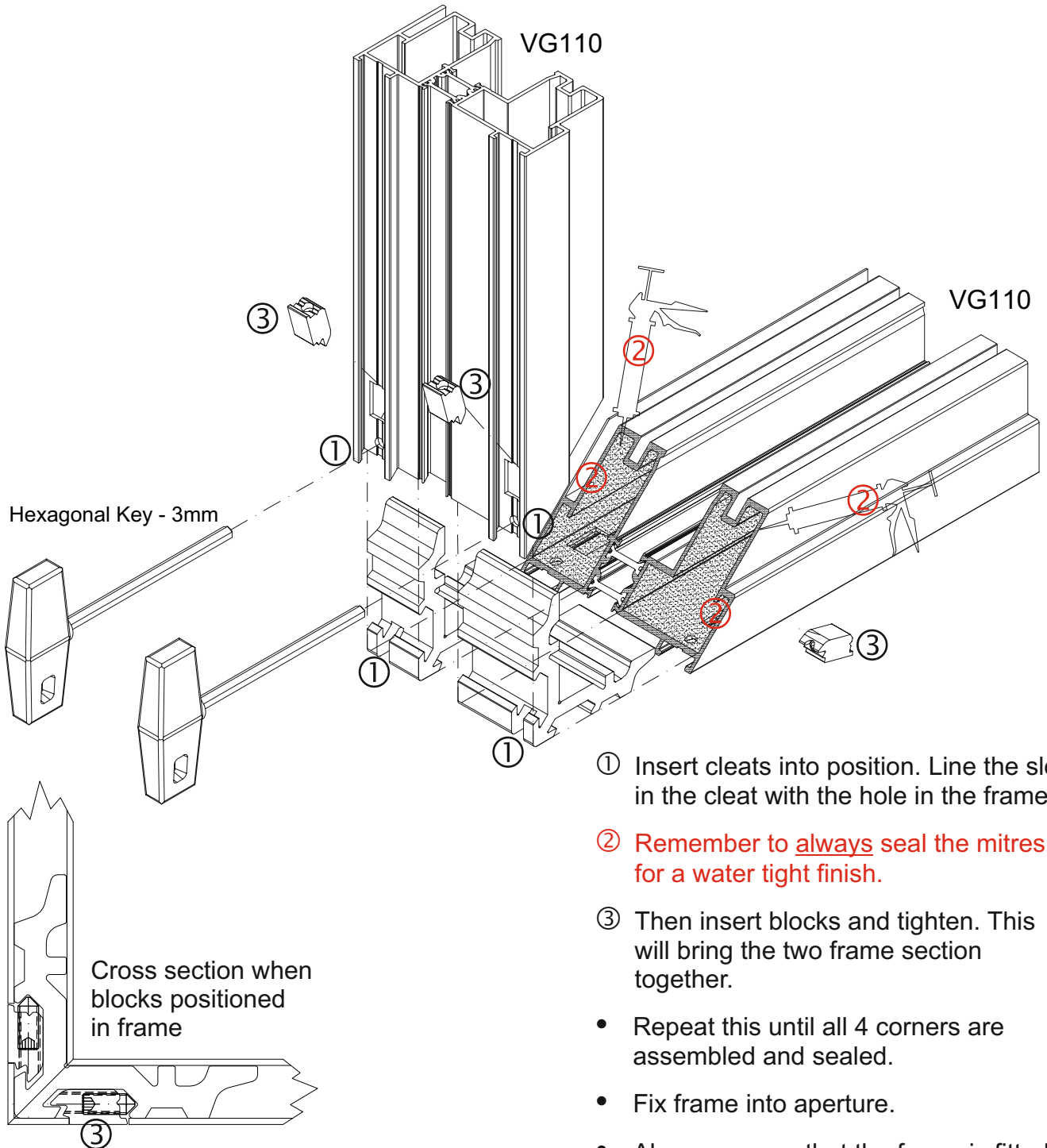


DURATION WINDOWS

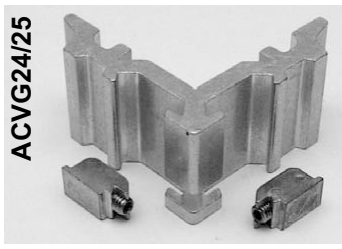
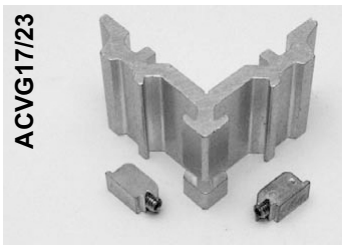
Penthouse Aluminium Patio Doors Assembly Guide



Assembling Frame



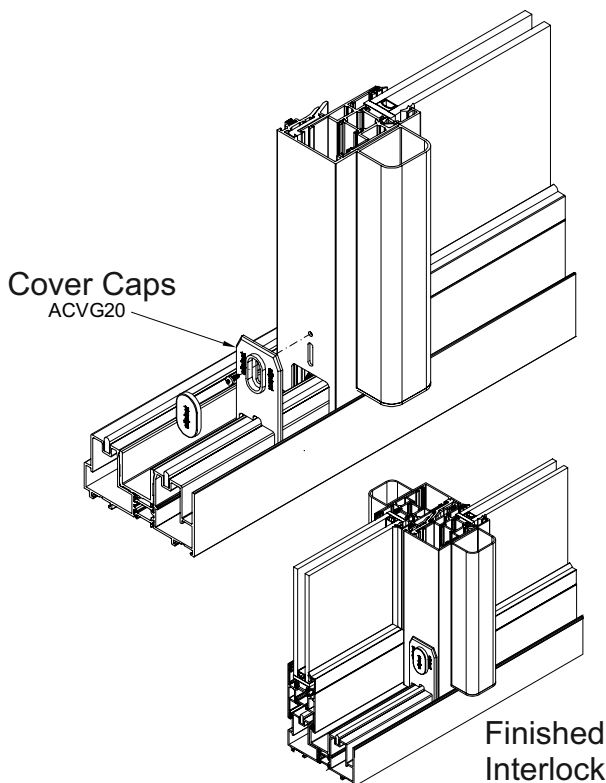
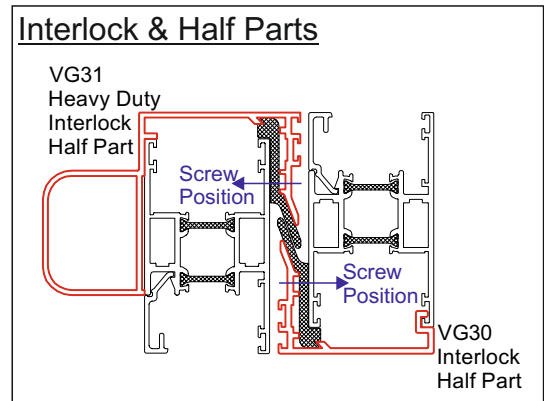
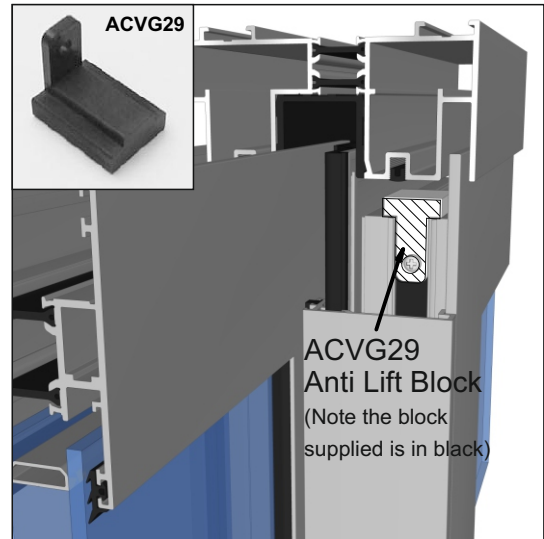
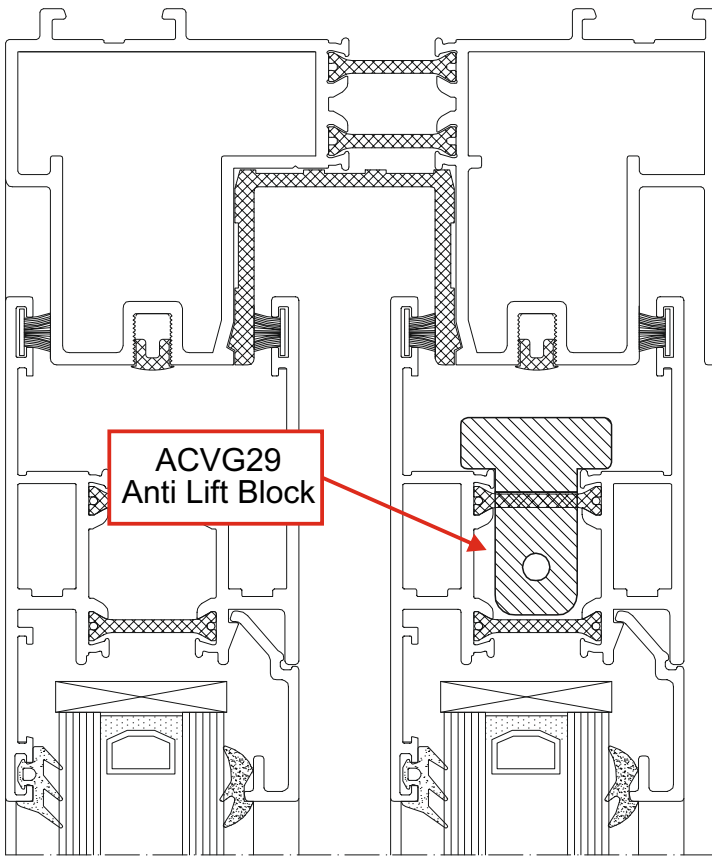
- ① Insert cleats into position. Line the slot in the cleat with the hole in the frame.
 - ② Remember to **always seal the mitres for a water tight finish.**
 - ③ Then insert blocks and tighten. This will bring the two frame section together.
- Repeat this until all 4 corners are assembled and sealed.
 - Fix frame into aperture.
 - Always ensure that the frame is fitted square and level with no bowing in the frame.
 - Fitting the frame correctly will ensure correct operation of the sliding panels.
 - Please note there is no adjustment on the wheels.



Duration Windows reserves the right to make changes to the product specification as technical developments dictate, and without prior notice. Pictures shown are for illustrative purposes and are not binding in detail, colour or specification.



Inserting Anti Lift Blocks



- To fit panels unscrew the half part on the interlock VG31 or VG30. (The interlock is made of two halves)
- Once removed you are able to position the panels on the tracks.
- When all panels are positioned on the track screw the anti lift block into place. (Position as shown above)
- Once this is secured in place re-fit the interlock half part and re-screw in place. (This can only be done when the product is un-glazed)
- Once the interlock is reassembled attach cover caps.
- Finally glaze as normal.

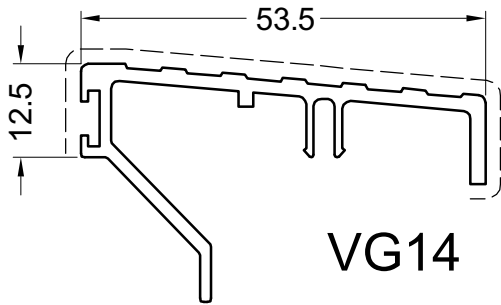
Duration Windows reserves the right to make changes to the product specification as technical developments dictate, and without prior notice. Pictures shown are for illustrative purposes and are not binding in detail, colour or specification.

Penthouse Patio



**DURATION
WINDOWS**

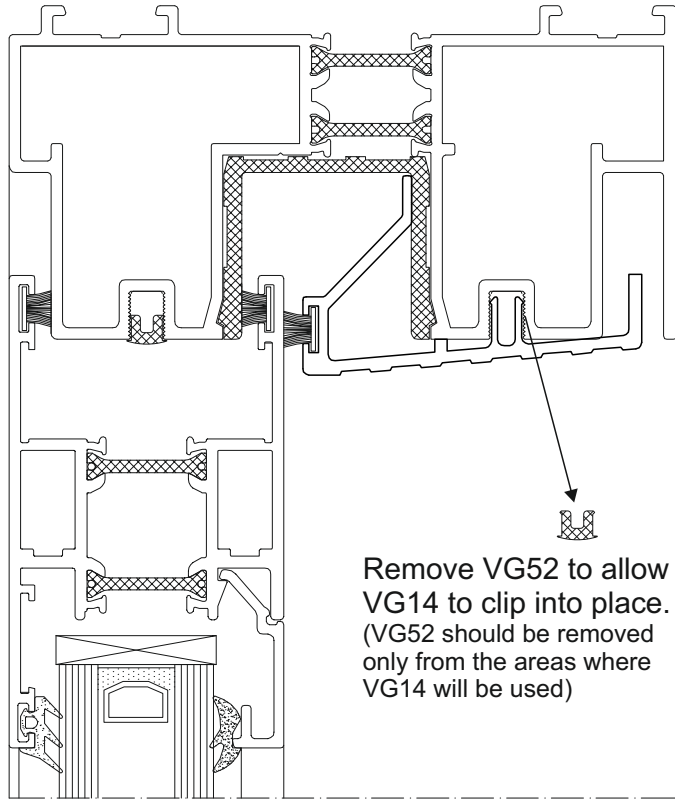
Inserting VG14 Cover Plate



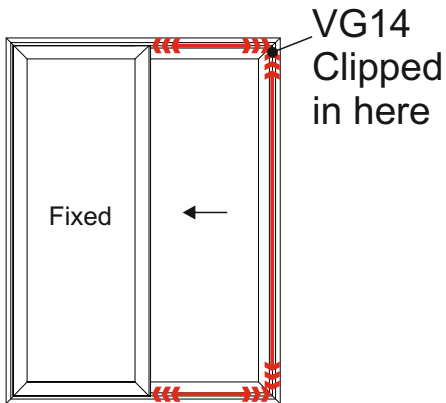
VG14

VG14 Should be clipped into place next to any fixed panel.
(Only used on configurations with fixed panels)

This creates a clean and neat finish to the doors.

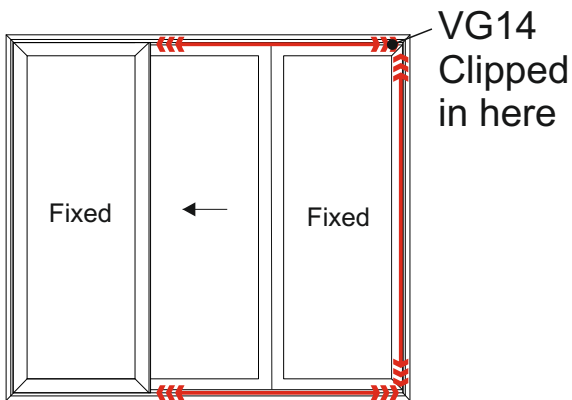


Remove VG52 to allow VG14 to clip into place.
(VG52 should be removed only from the areas where VG14 will be used)



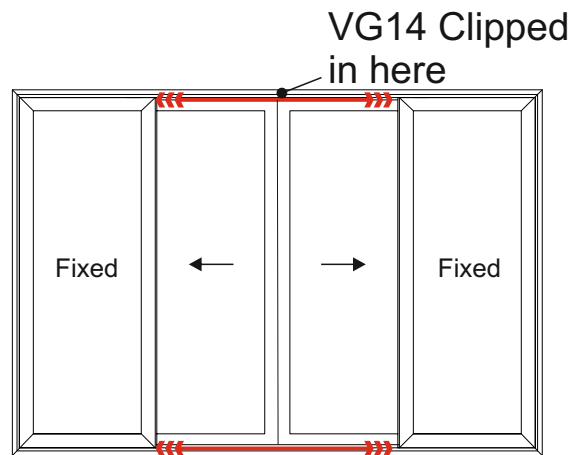
VG14 Clipped in here

V.F.I



VG14 Clipped in here

V.F.I



VG14 Clipped in here

V.F.I

V.F.I: viewed from inside

Duration Windows reserves the right to make changes to the product specification as technical developments dictate, and without prior notice. Pictures shown are for illustrative purposes and are not binding in detail, colour or specification.