



# DURATION WINDOWS

## Hinged Secondary Glazing Medium Duty Face Fix System Section Identification

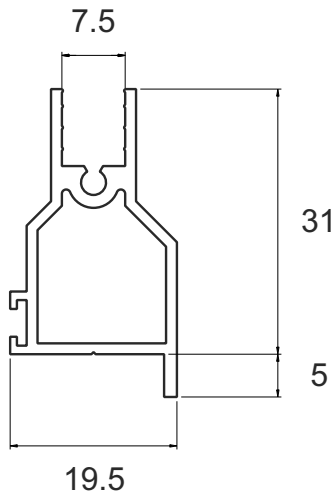
### Contents

- Hinged Panel, Butt Hinges And Magnetic Catch Page 2
- Side Hung Cross Section & Plan View Page 3
- Top Hung Cross Section & Plan View Page 4
- Double Butt Hinged Cross Section Page 5
- Double Butt Hinged Plan View Page 6

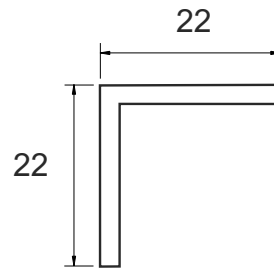


**Hinged Panel & Interlock**

SG 69  
Hinged Sash  
with screw ports

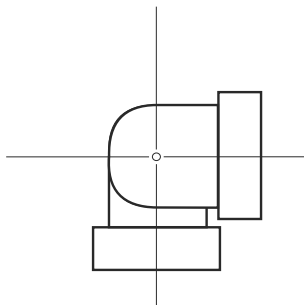


SG L1  
Meeting Stile Interlock

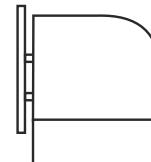


**Hinges & Magnetic Catch**

Medium Duty  
Butt Hinge



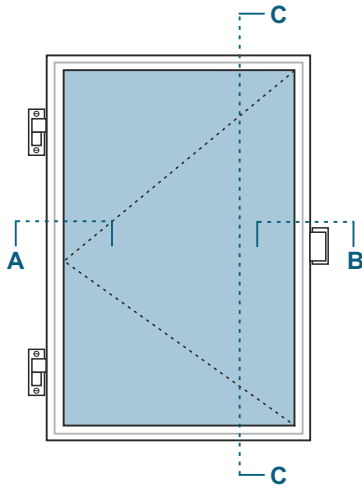
Magnetic Catch



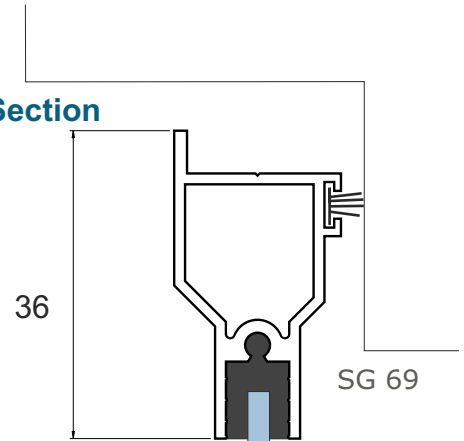


Side Hung Cross Section & Plan View

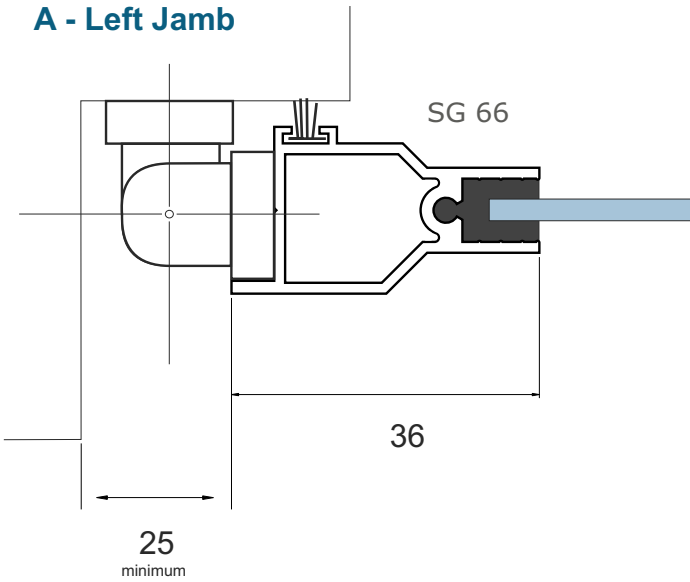
Medium Duty Face Fix System



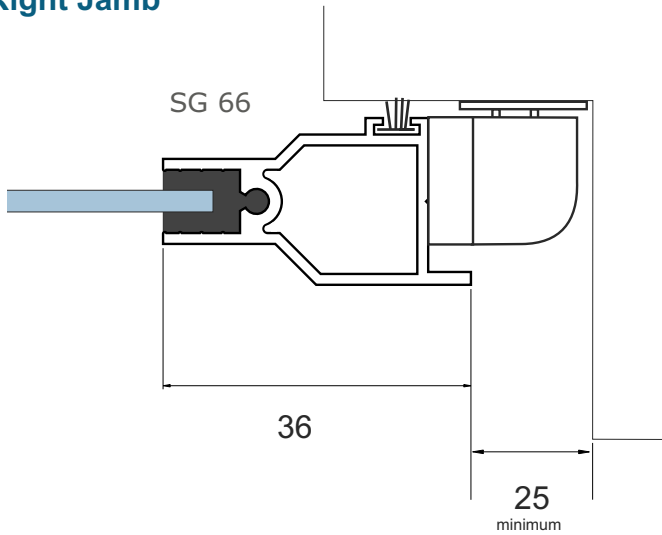
C - Cross Section



A - Left Jamb

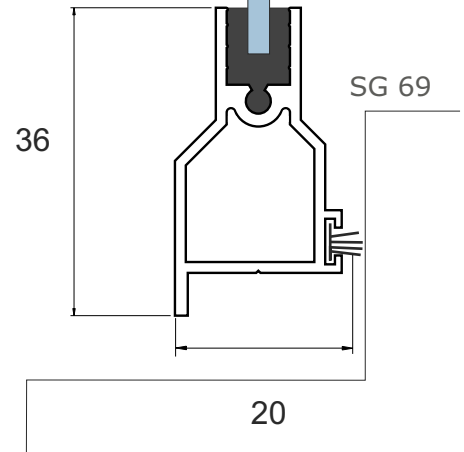


B - Right Jamb



Inside

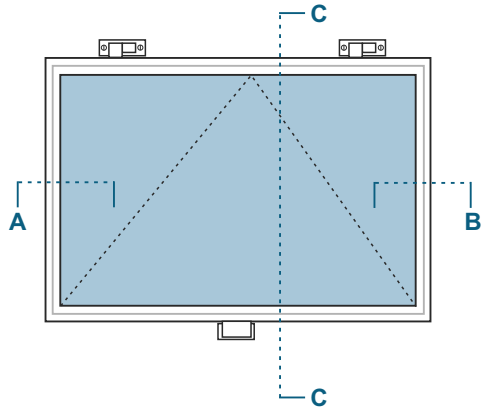
Outside





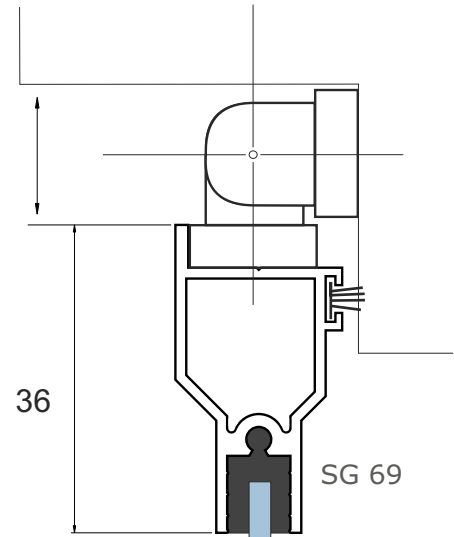
**Top Hung Cross Section & Plan**

**Medium Duty Face Fix System**

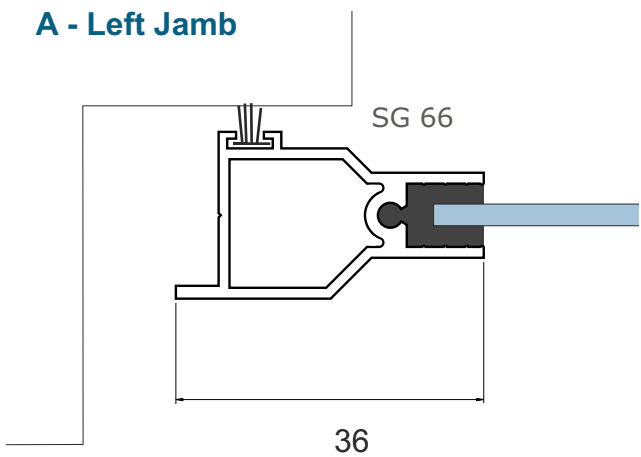


**C - Cross Section**

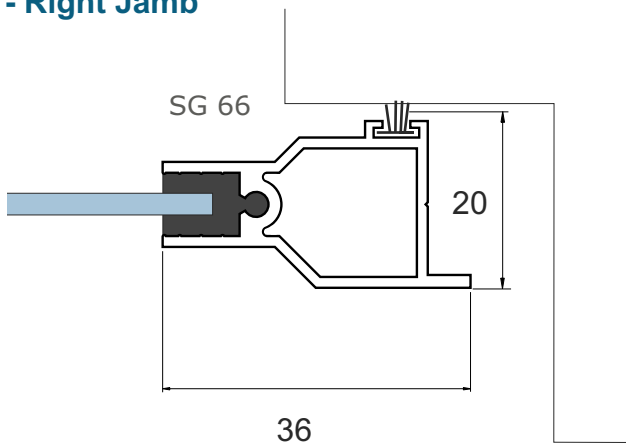
25  
minimum



**A - Left Jamb**

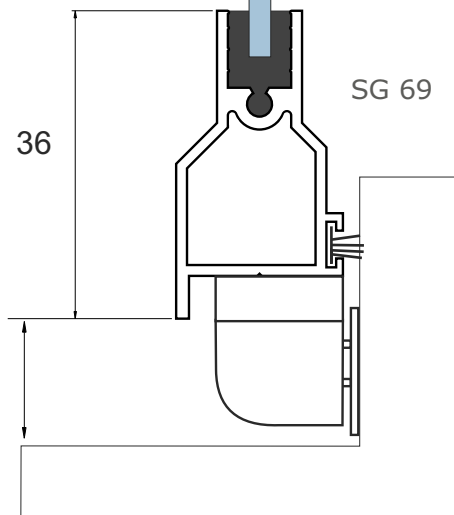


**B - Right Jamb**



Inside

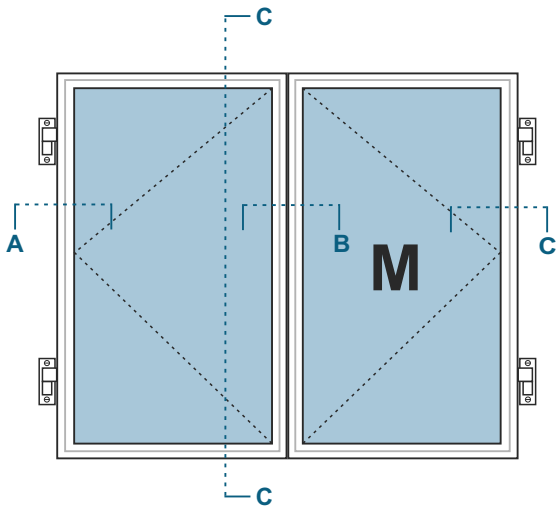
Outside





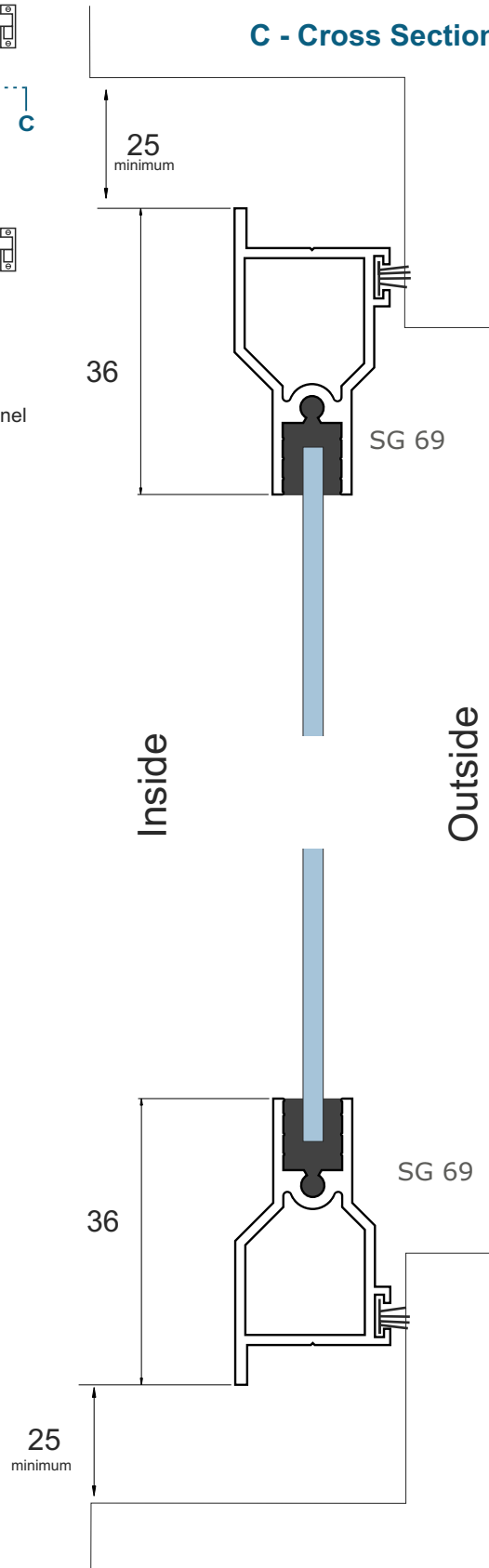
**Top Hung Cross Section & Plan**

Medium Duty Face Fix System



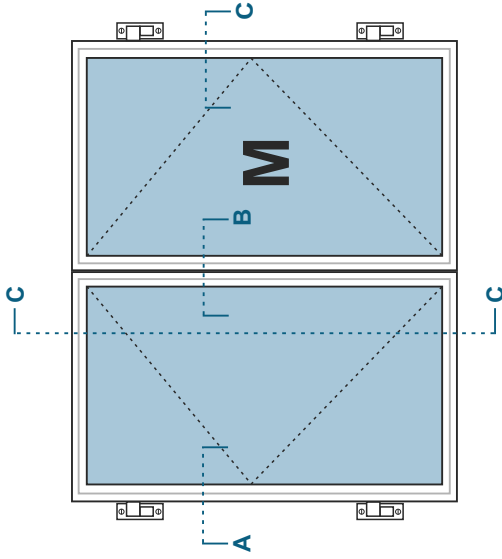
**M** - This indicates the master panel. The other panel is therefore the slave panel.

**C - Cross Section**



Double Butt Hinged - Plan View

Medium Duty - Face Fix System



**M** - This indicates the master panel. The other panel is therefore the slave panel.

**B - Left Jamb**

**C - Meeting Stiles**

**D - Right Jamb**

