



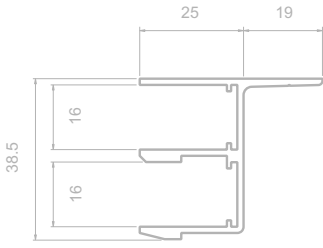
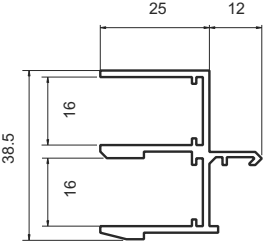
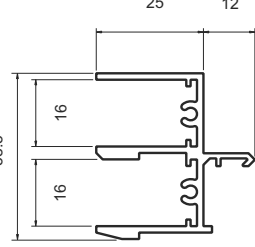
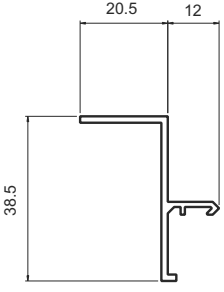
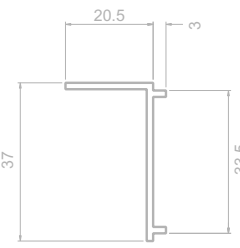
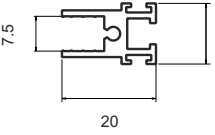
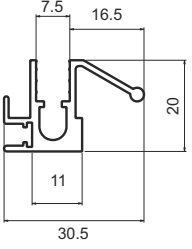
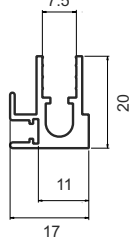
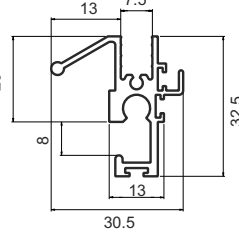
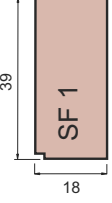
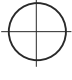



DURATION WINDOWS

Vertical Sliding Secondary Glazing Luxury Subframe System Section Identification

Contents

- Section Identification Overview Page 2
- Outerframes Page 3
- Sliding Panels Page 4
- Non-Aluminium Parts Page 6
- Unbalanced Vertical Slider Page 7
- Balanced Vertical Slider Page 11
- Tilt Back Balanced Vertical Slider Page 15

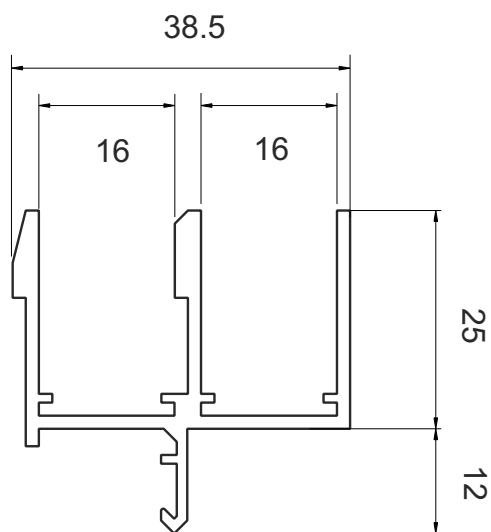
Overview

<p>Odd Leg Outerframe</p>	<p>Subframe Outerframe</p>	<p>Outerframe Bottom (Cill)</p>
<p>SG 91 Odd Leg Outerframe no screw ports</p>  <p>38.5 16 25 19</p>	<p>SG 52 Subframe Fix Outerframe no screw ports</p>  <p>38.5 16 25 12</p> <p>SG 53 Subframe Fix Outerframe with screw ports</p>  <p>38.5 16 25 12</p>	<p>SG 65 Subframe Fix Outerframe Bottom</p>  <p>38.5 20.5 12</p> <p>SG 87 Odd Leg Outerframe Adaptor</p>  <p>37 20.5 3 33.5</p>
<p>Sliding Panels</p>	<p>Vertical Sliding Panel Interlocks</p>	<p>Non-Aluminium Parts</p>
<p>SG 64 Sliding panels</p>  <p>7.5 20 13</p>	<p>SG 61 Interlock with handrail</p>  <p>30.5 11 7.5 16.5 20</p> <p>SG 62 Interlock</p>  <p>17 11 7.5 20</p> <p>SG 63 Extended Bottom Panel & Interlock</p>  <p>20 8 13 7.5 30.5 13 32.5</p>	<p>Wooden Suframes</p>  <p>SF 1 39 18</p> <p>Balances</p>  <p>SG 55 PVCU Track</p>  <p>Nylon Skids</p>  <p>Spring Catch</p>  <p>SF 3 55 18</p> <p>SF 4 69 18</p>

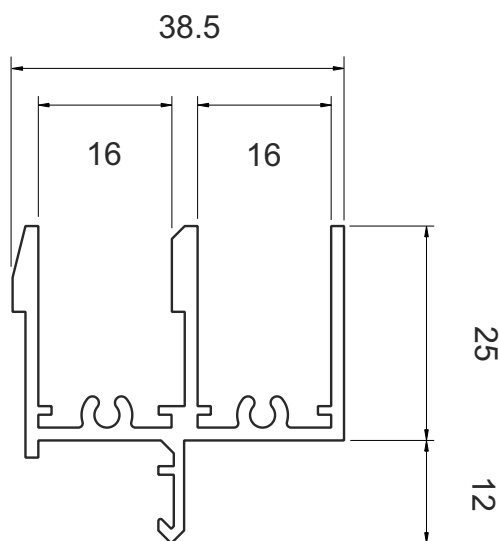


Two Track Outerframe

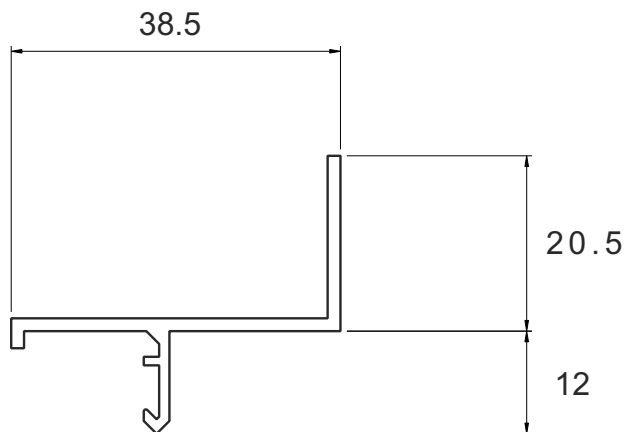
SG 52
Subframe Fix Outerframe
no screw ports



SG 53
Subframe Fix Outerframe
with screw ports



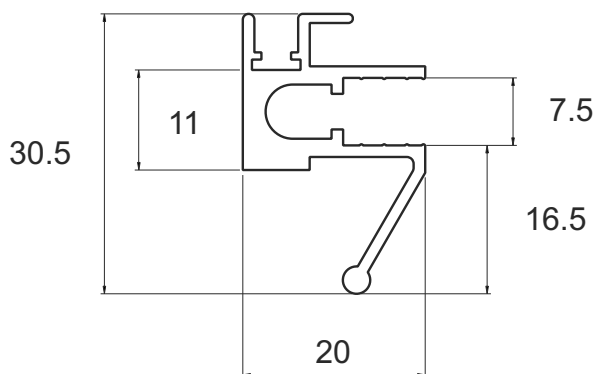
SG 65
Subframe Fix Outerframe
Bottom



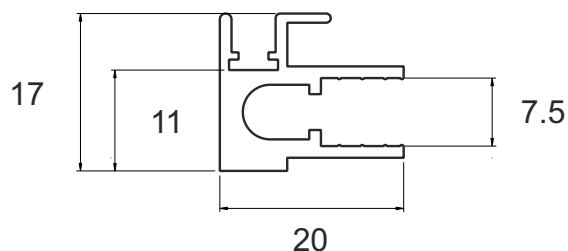


Sliding panels

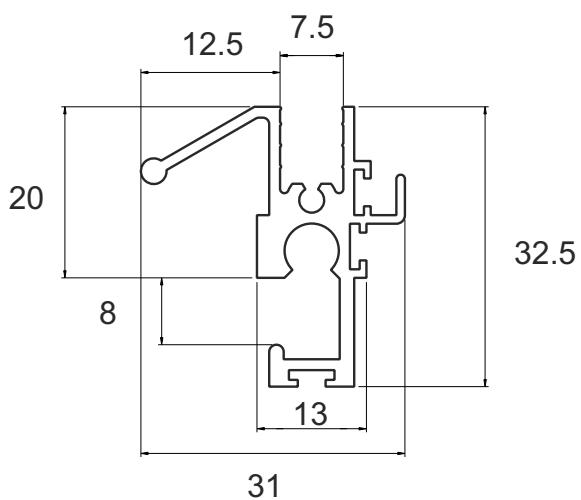
SG 61
Interlock
with handrail



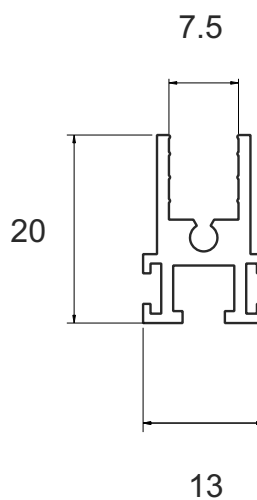
SG 62
Interlock



SG 63
Extended Bottom
Panel & Interlock



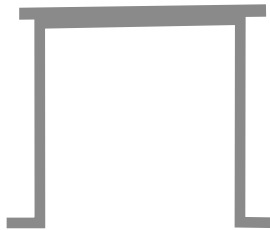
SG 64
Sliding panel



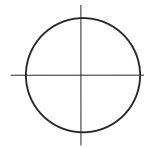


Non-Aluminium Parts

SG 55
PVCU Track



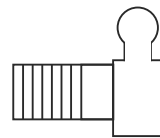
Balances



Nylon Skids



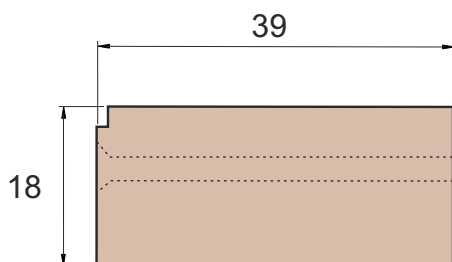
Spring Catch





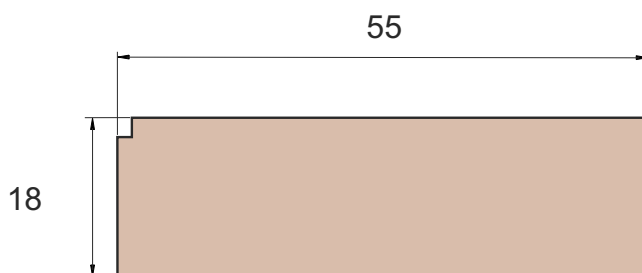
Wooden Subframes

SF 1



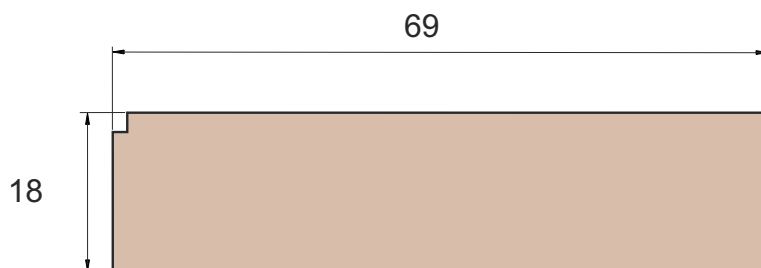
SF1 comes with
pre-drilled fixing holes
as standard

SF 3



If you require
pre-drilled fixing holes
in your SF3
Please ask.

SF 4



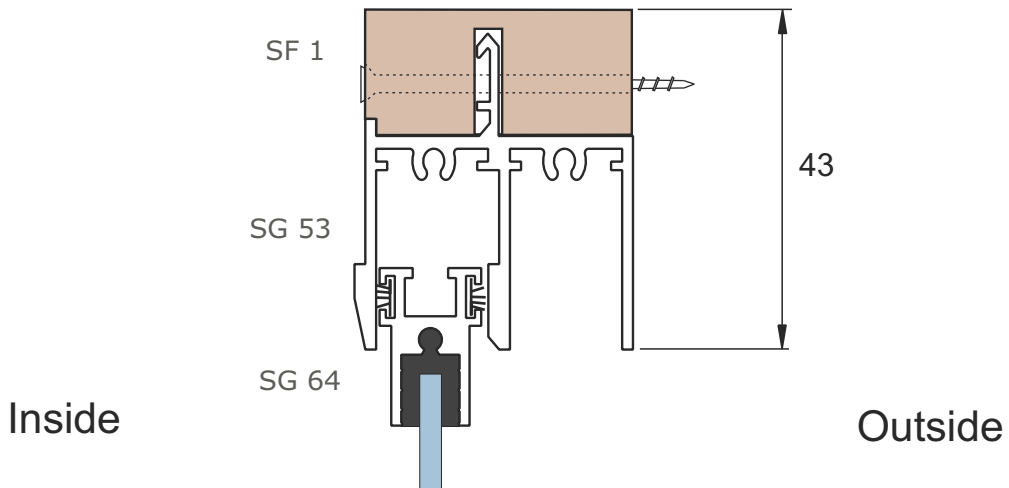
If you require
pre-drilled fixing
holes in your SF4
Please ask.



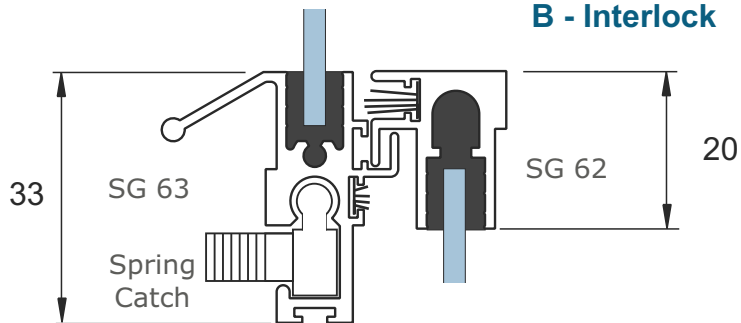
Unbalanced Vertical Slider - Cross Section

Luxury Subframe - SF1 Face Fix

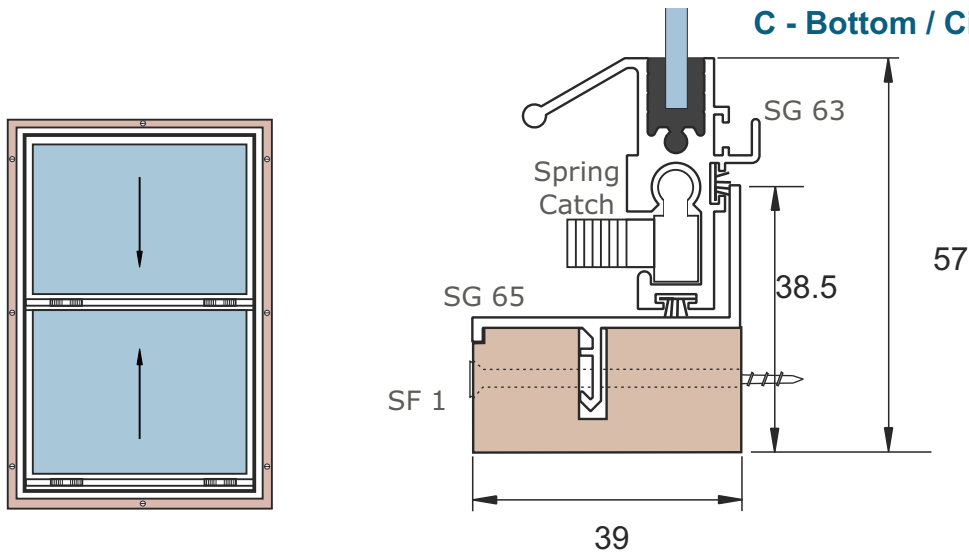
A - Head Section



B - Interlock

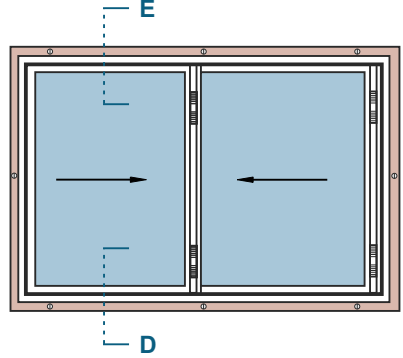
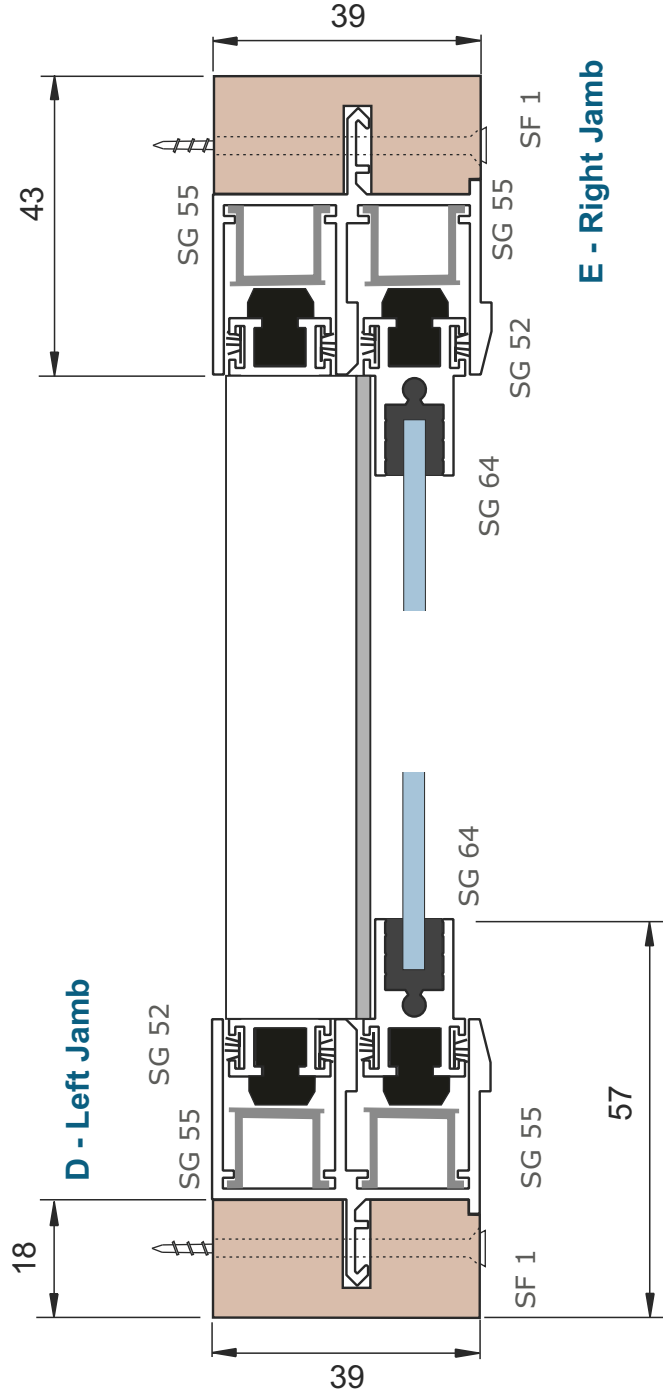


C - Bottom / Cill Section



Unbalanced - Plan View

Luxury Subframe - SF1 Face Fix



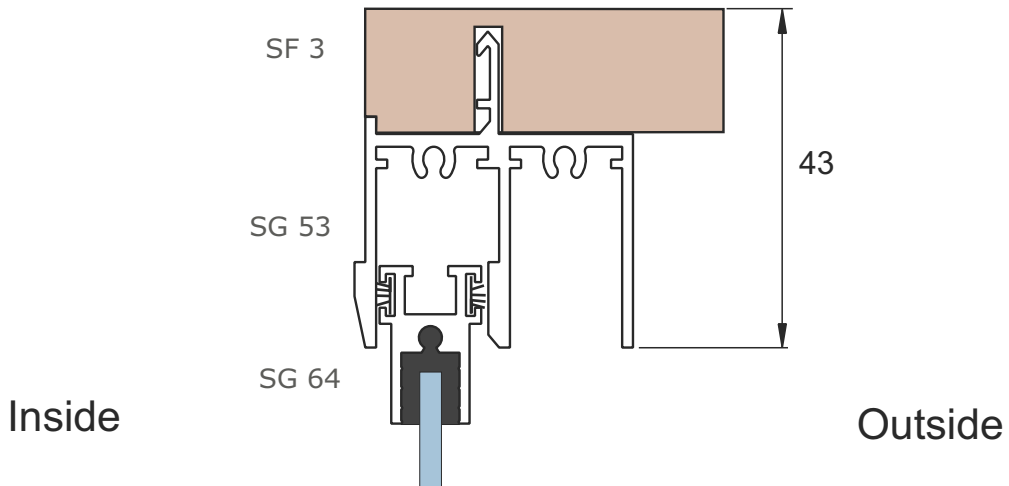
E - Right Jamb



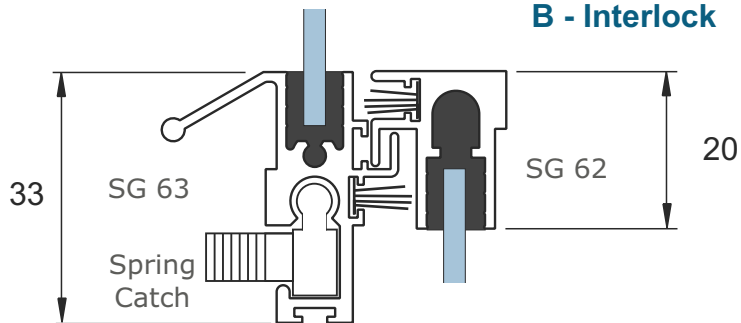
Unbalanced Vertical Slider - Cross Section

Luxury Subframe - SF3 Reveal Fix

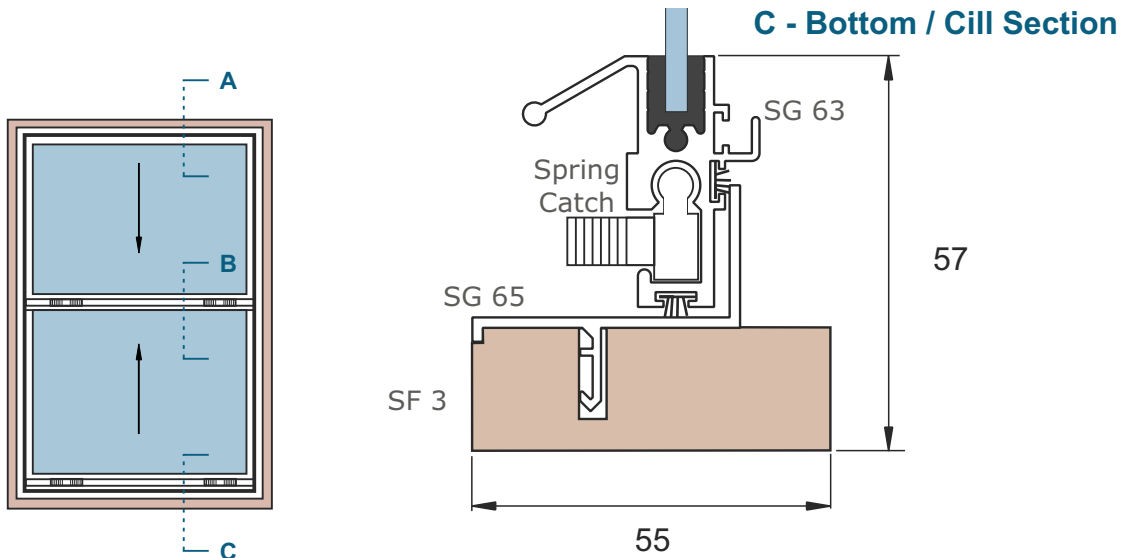
A - Head Section



B - Interlock

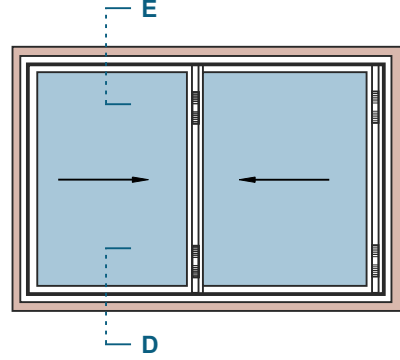
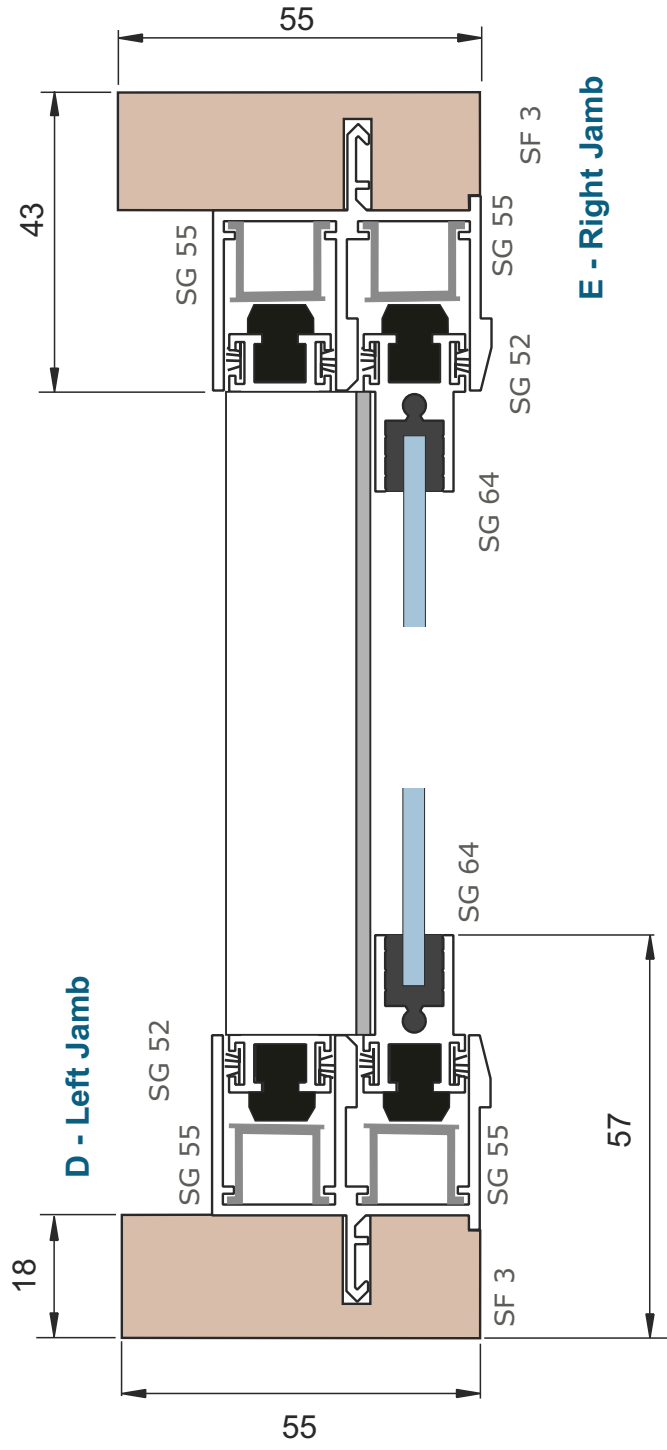


C - Bottom / Cill Section



Unbalanced - Plan View

Luxury Subframe - SF3 Reveal Fix

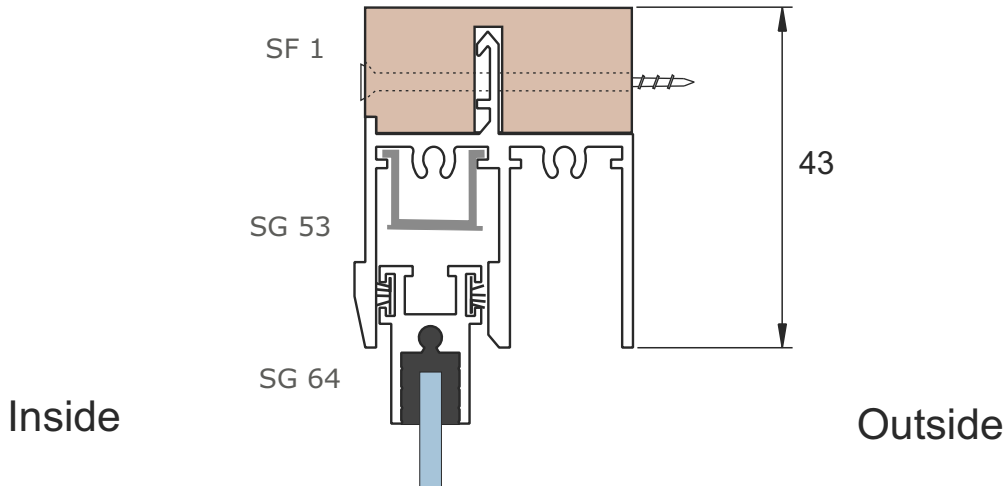




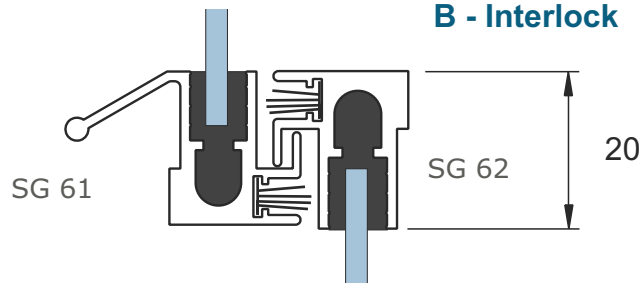
Balanced Vertical Slider - Cross Section

Luxury Subframe - SF1 Face Fix

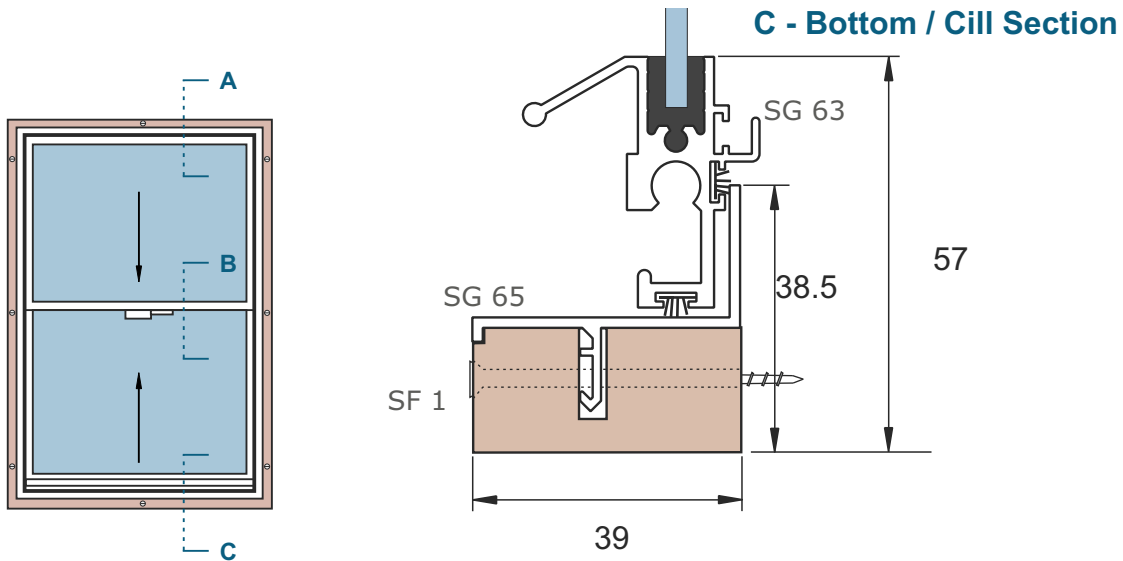
A - Head Section



B - Interlock

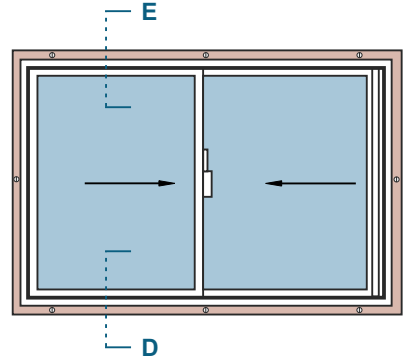
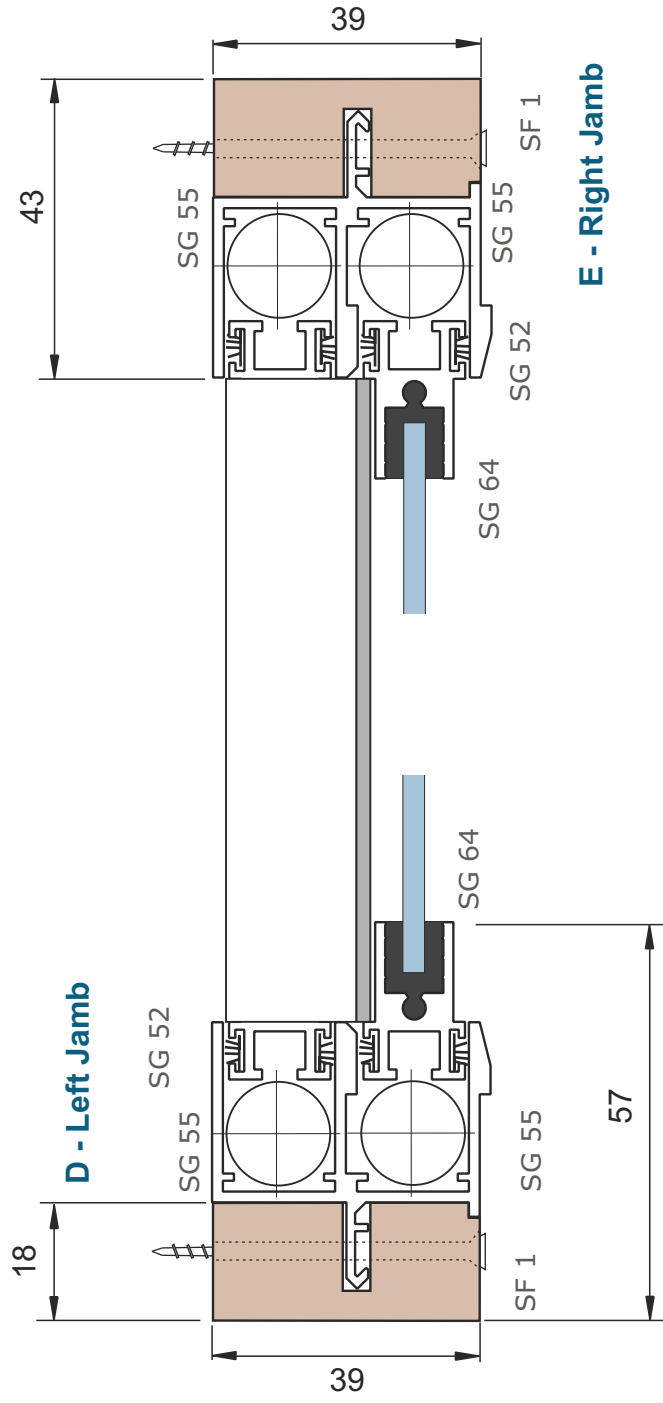


C - Bottom / Cill Section



Balanced - Plan View

Luxury Subframe - SF1 Face Fix

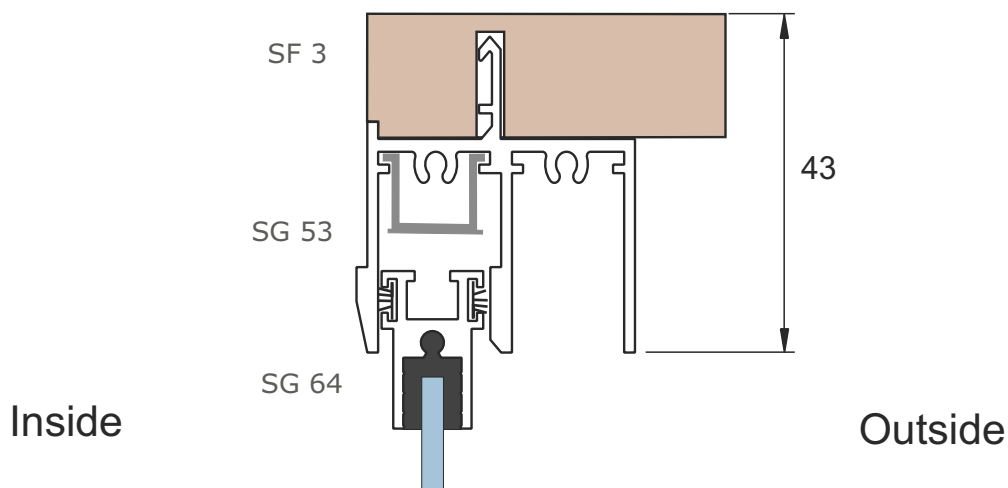




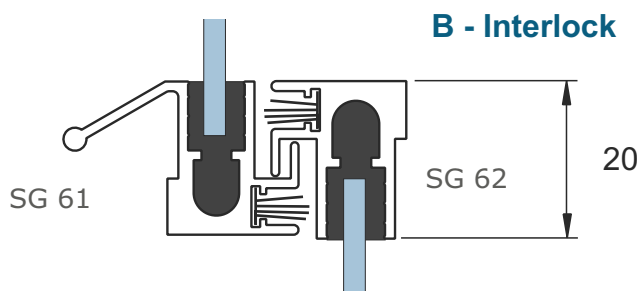
Balanced Vertical Slider - Cross Section

Luxury Subframe - SF3 Reveal Fix

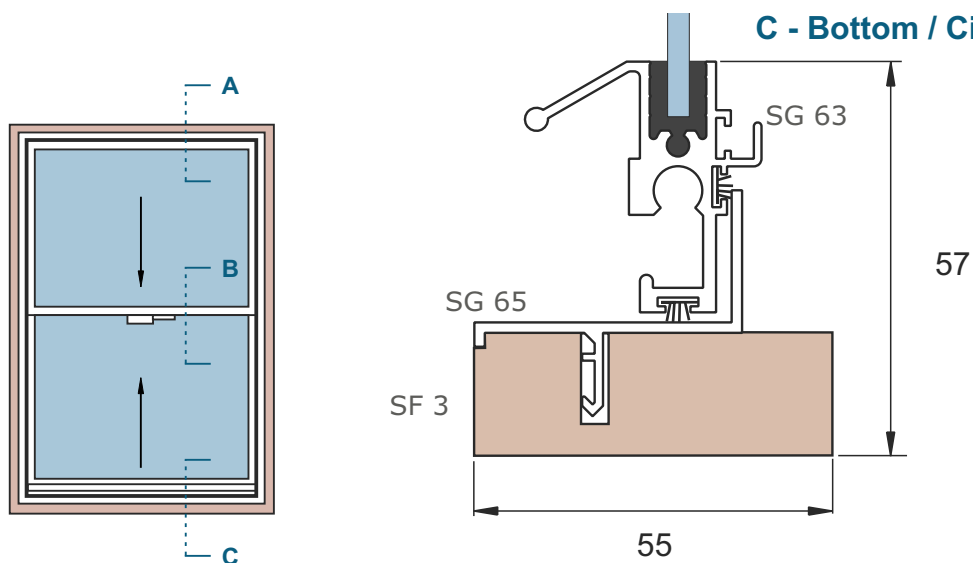
A - Head Section



B - Interlock

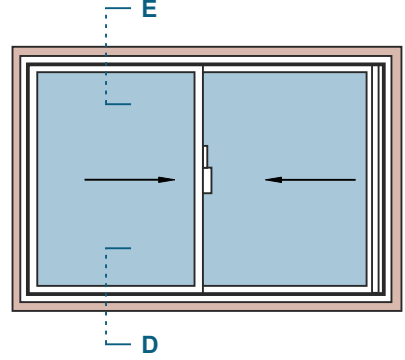
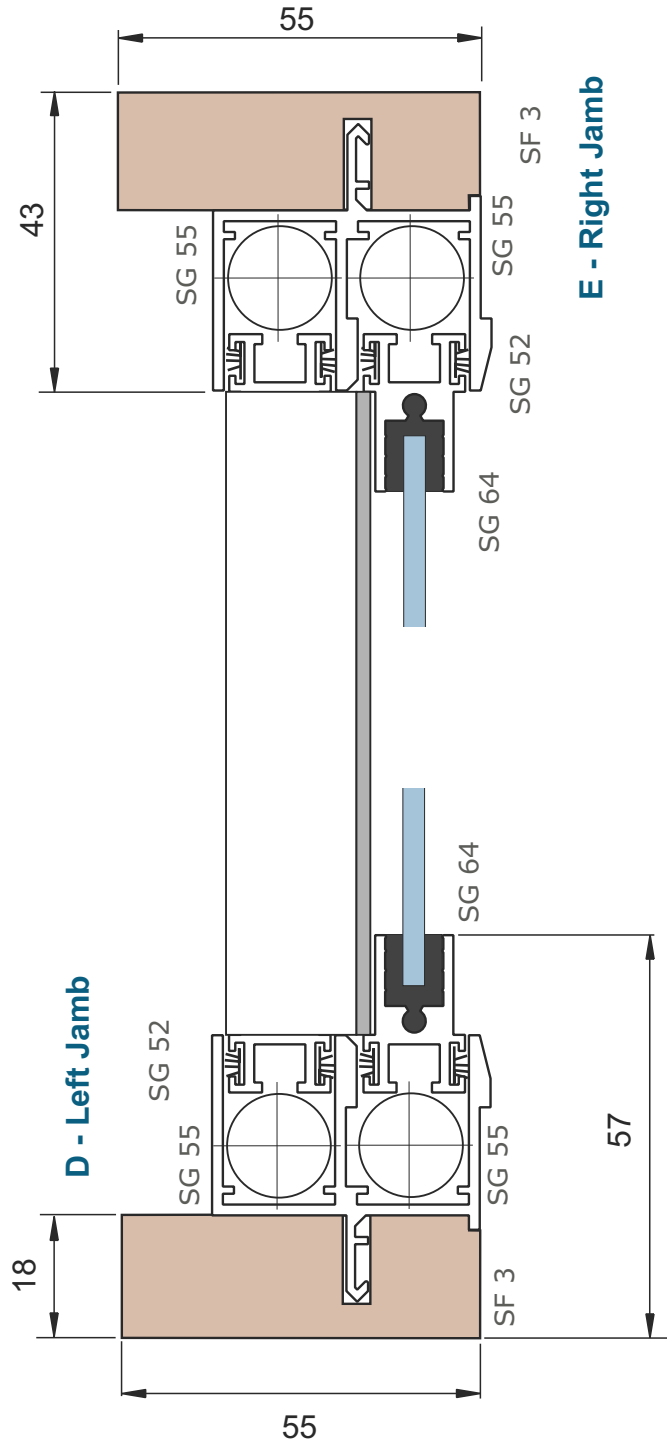


C - Bottom / Cill Section



Balanced - Plan View

Luxury Subframe - SF3 Reveal Fix



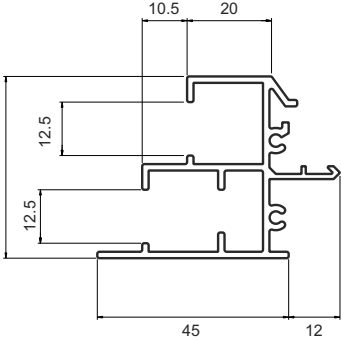
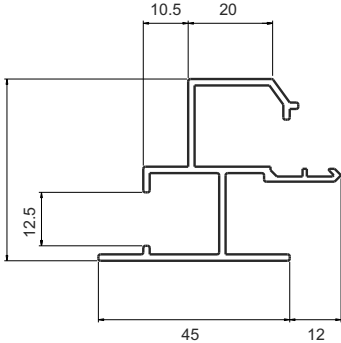
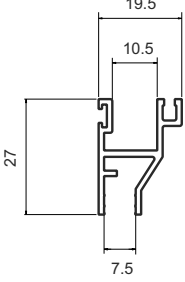
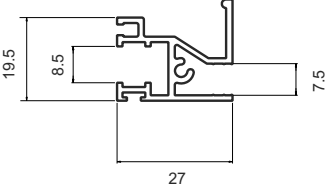
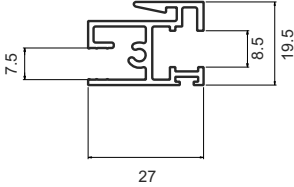
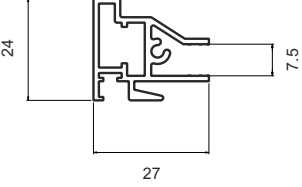
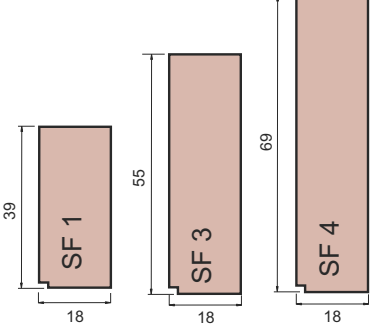




Tilt Back Vertical Sliding Secondary Glazing

Contents

- Section Identification Overview Page 16
- Outerframes Page 17
- Sliding Panels Page 18
- Non-Aluminium Parts Page 19
- Tilt Back Vertical Slider - Cross Section Page 20
- Tilt Back Vertical Slider - Plan View Page 21

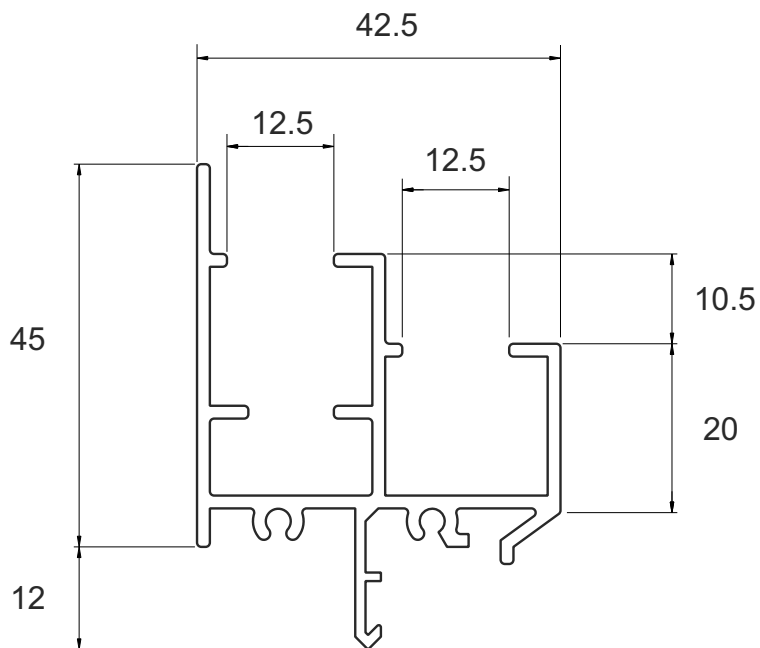
Overview

Outerframe	Sliding Panels
<p>SG 75 Subframe Fix Outerframe with screw ports</p>  <p>SG 76 Subframe Fix Outerframe no screw ports</p> 	<p>SG 77 Sliding Panels no screw ports</p>  <p>SG 78 Sliding Panels with screw ports & handrail</p> 
Sliding Panel Interlocks	Non-Aluminium Parts
<p>SG 79 Interlock with screw ports</p>  <p>SG 80 Flat Top Interlock with screw ports</p> 	<p>Wooden Subframes</p>  <p>Balances</p>  <p>Fitch Catch</p> 

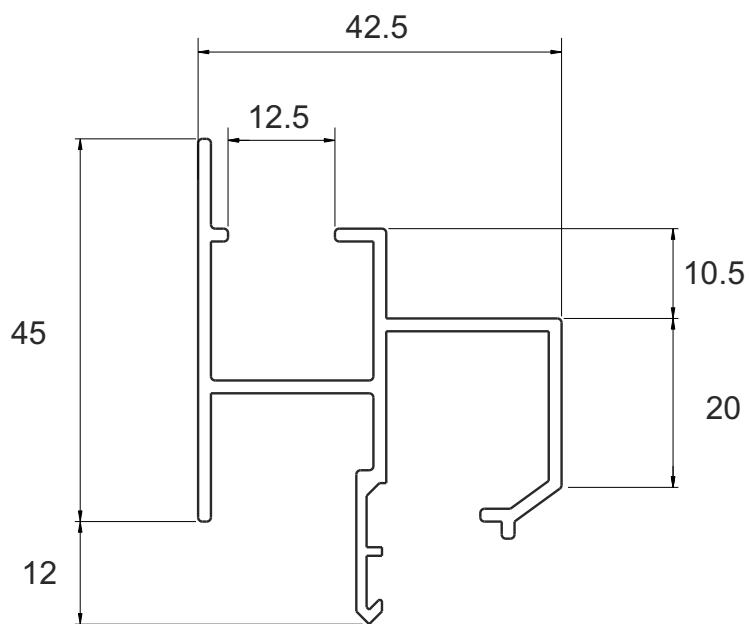


Tilt Back Vertical Slider - Outerframes

SG 75
Subframe Fix Outerframe
with screw ports



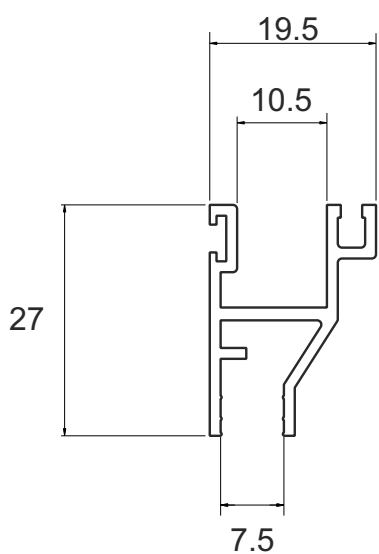
SG 76
Subframe Fix Outerframe
no screw ports



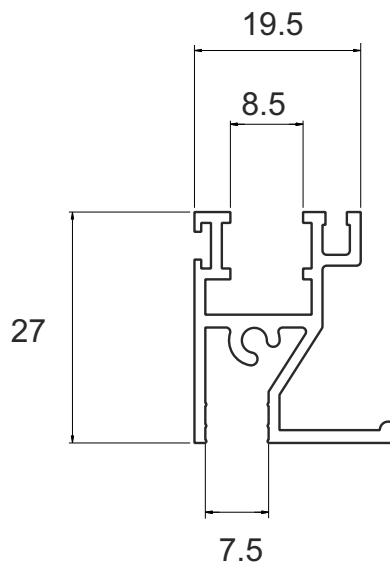


Tilt Back Vertical Slider - Sliding Panels

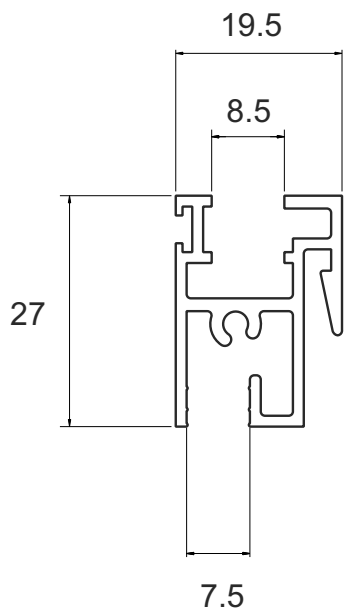
SG 77
Sliding Panels
no screw ports



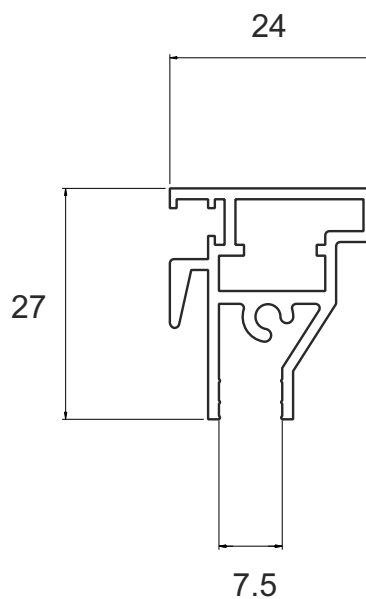
SG 78
Sliding Panels
with screw ports & handrail



SG 79
Interlock
with screw ports



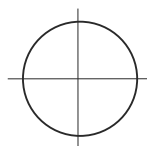
SG 80
Flat Top Interlock
with screw ports



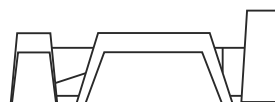


Tilt Back Vertical Slider - Non Aluminium Parts

Balances



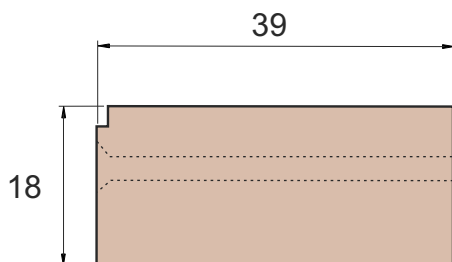
Fitch Catch



Wooden Subframes

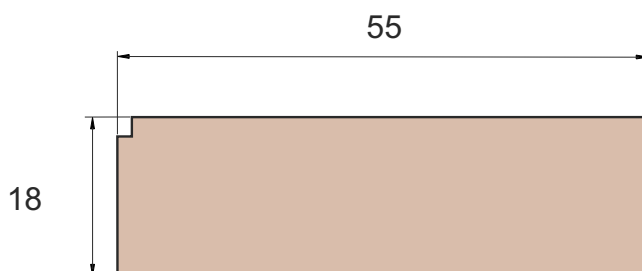
(As per page 6)

SF 1



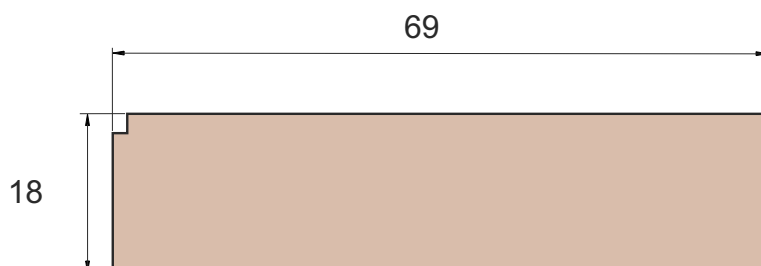
SF1 comes with pre-drilled fixing holes as standard

SF 3



If you require pre-drilled fixing holes in your SF3 Please ask.

SF 4

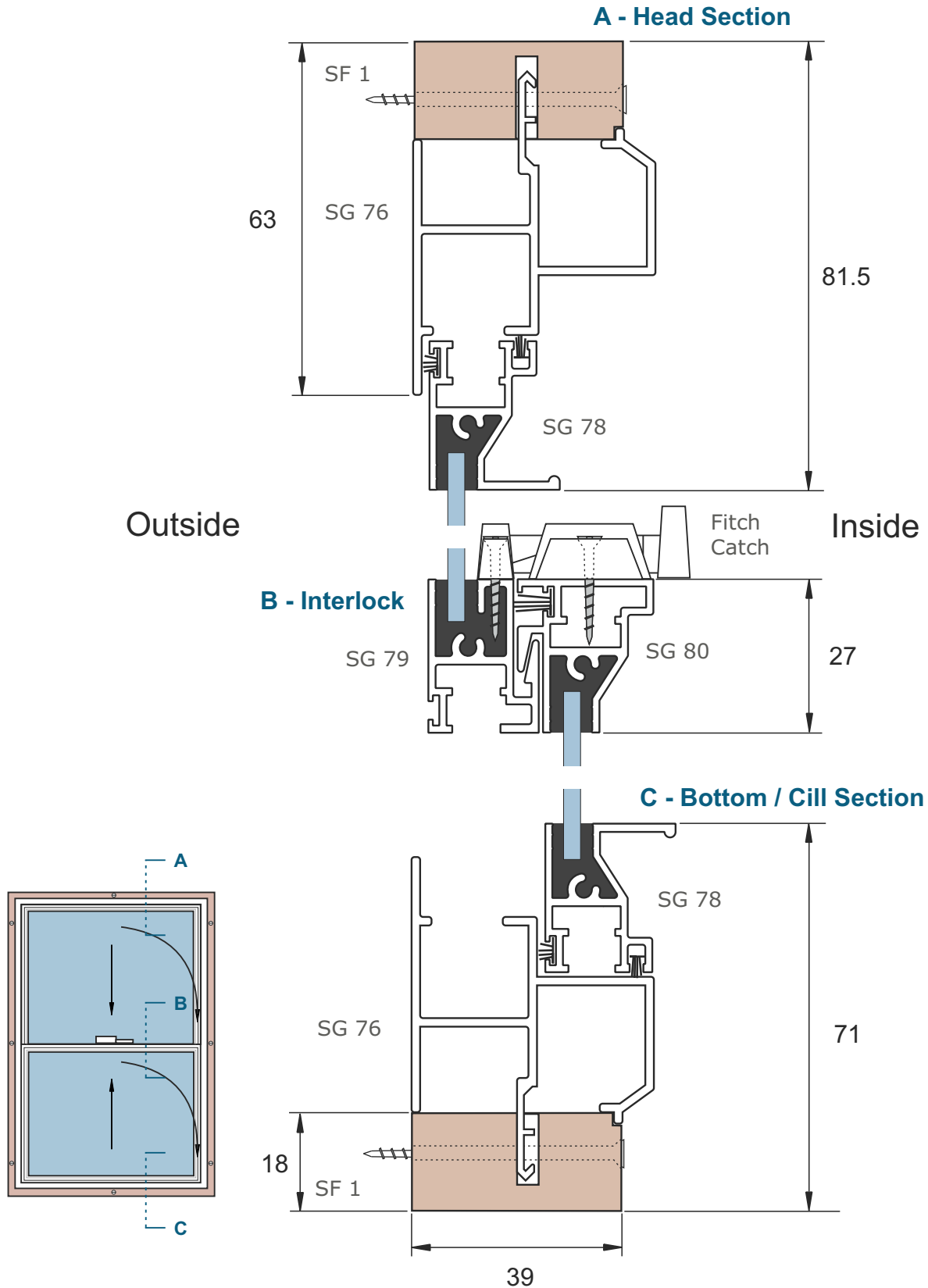


If you require pre-drilled fixing holes in your SF4 Please ask.



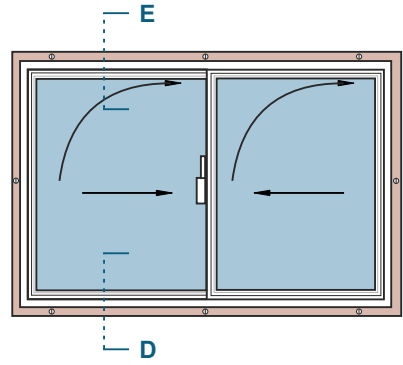
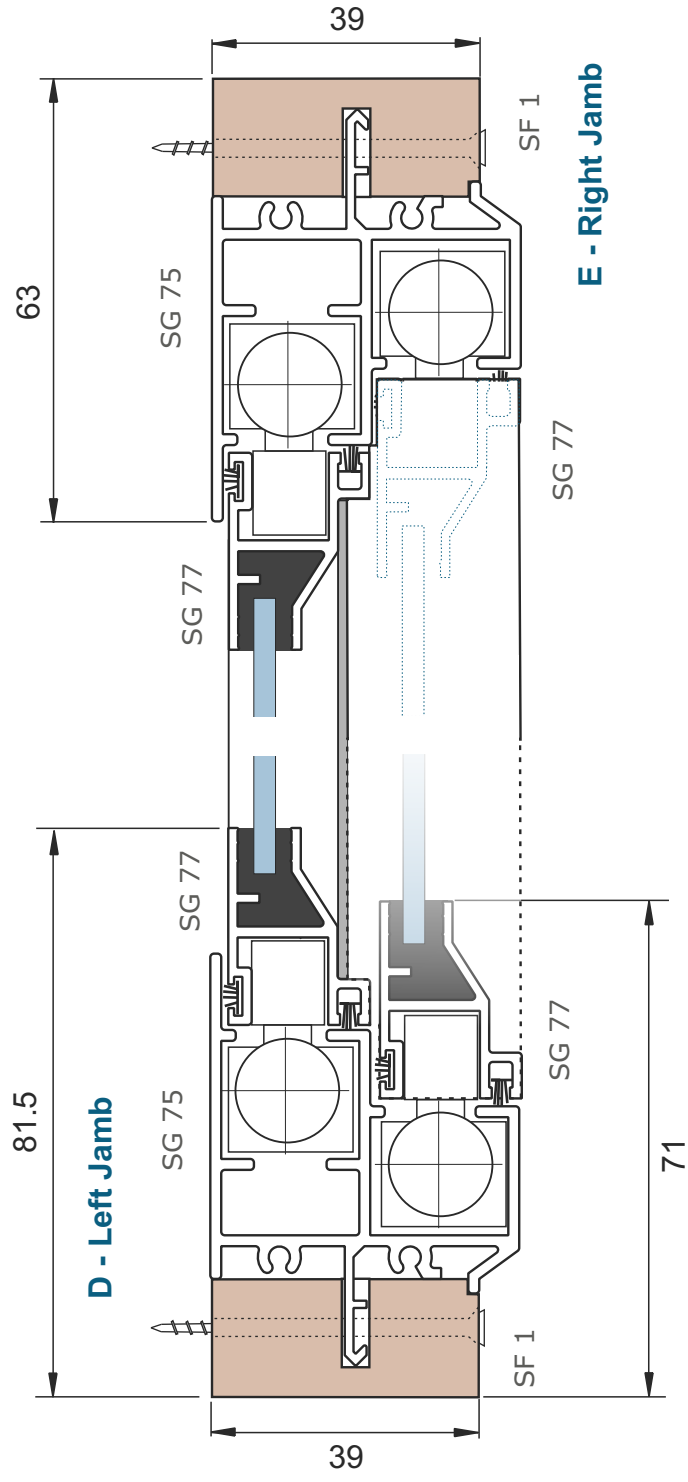
Tilt Back Vertical Slider - Cross Section

Luxury Subframe - SF1 Face Fix



Tilt Back - Plan View

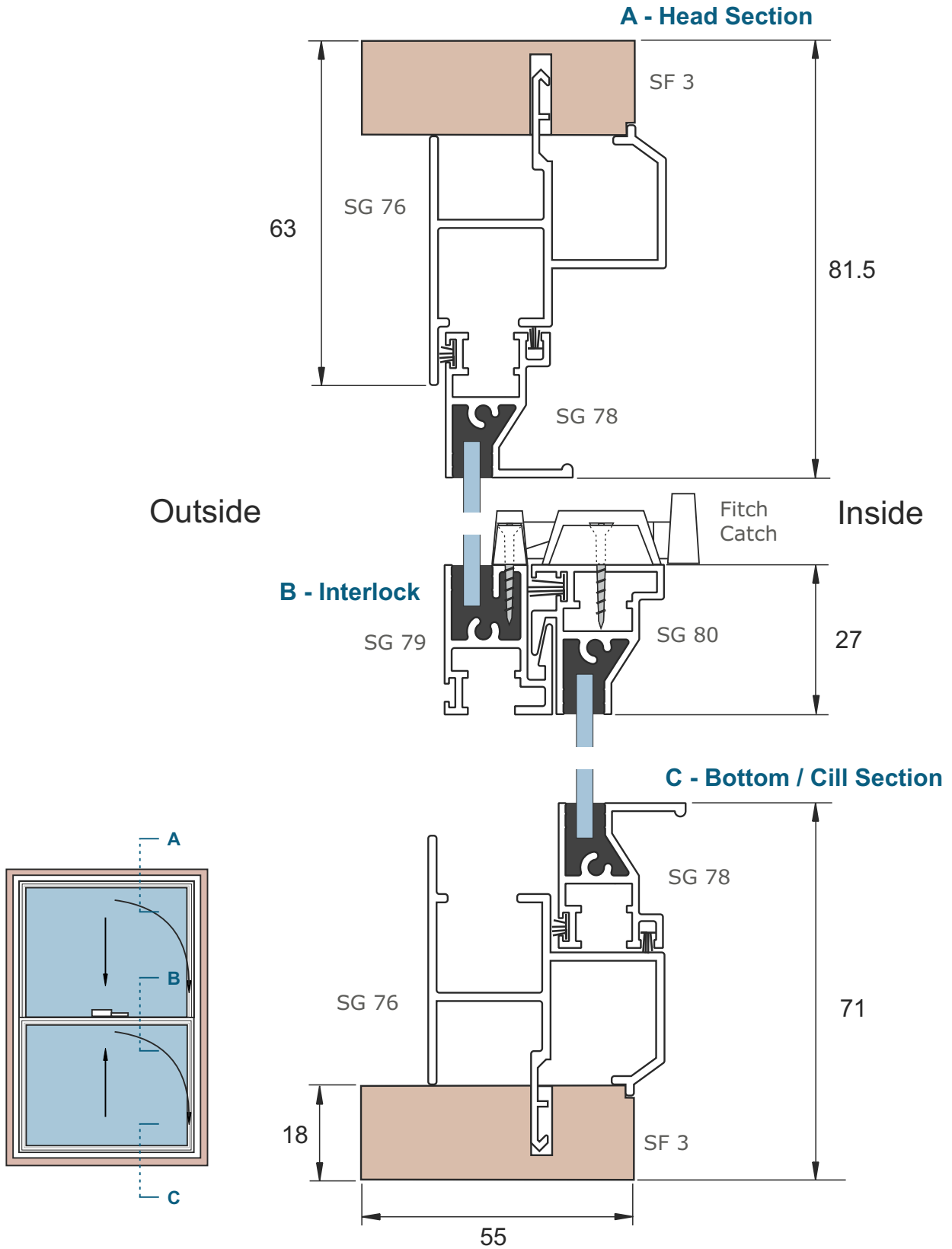
Luxury Subframe - SF1 Face Fix





Tilt Back Vertical Slider - Cross Section

Luxury Subframe - SF3 Reveal Fix



Tilt Back - Plan View

Luxury Subframe - SF3 Face Fix

