



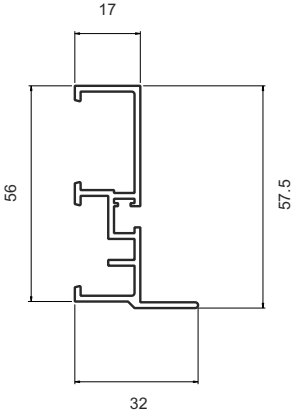
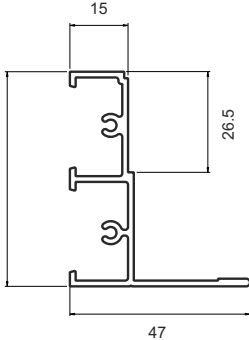
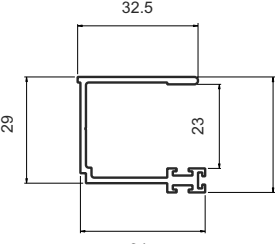
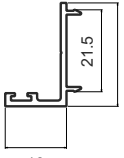
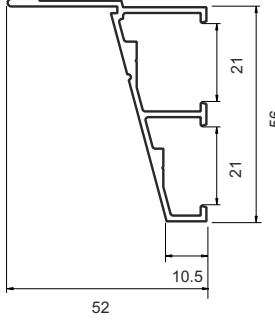
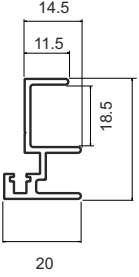
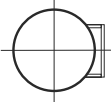
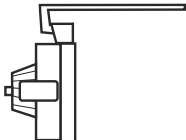
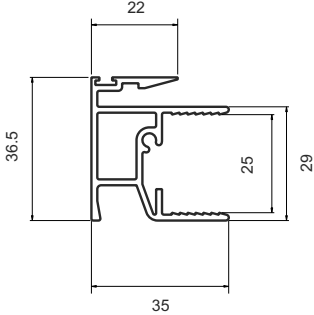
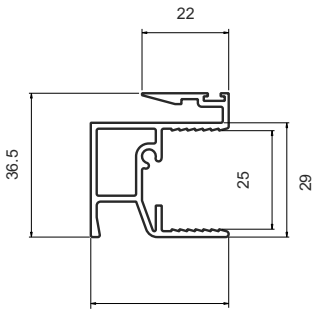
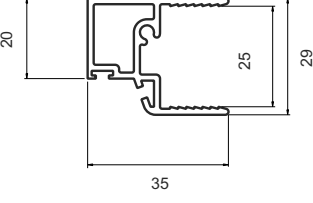
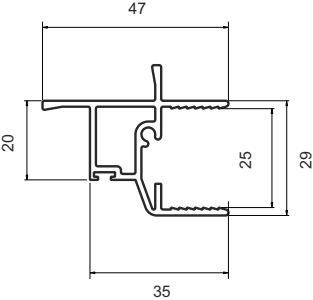
DURATION WINDOWS

Vertical Sliding Secondary Glazing Balanced Heavy Duty System Section Identification

Contents

- Section Identification Overview Page 2
- Outerframes Page 3
- Sliding Panels Page 5
- Other Parts Page 6
- Cross Section Page 7
- Plan View Page 8

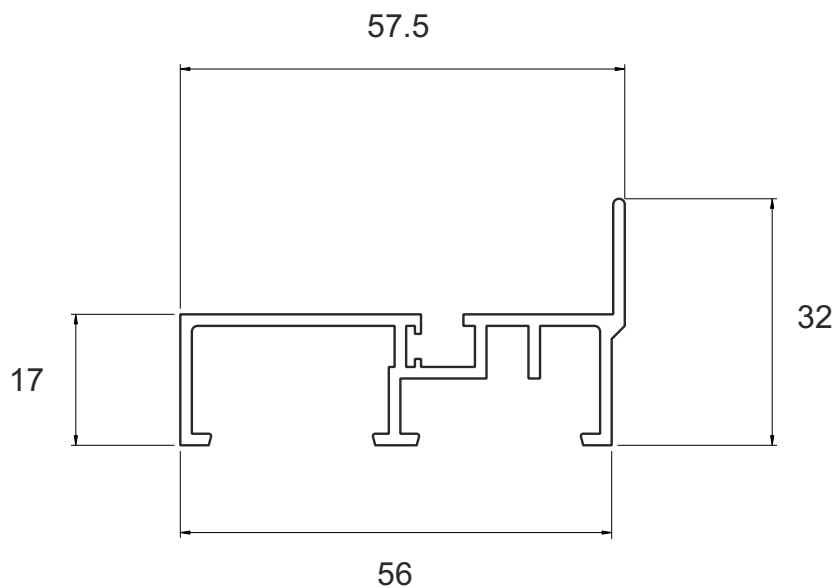
Overview

<p>Heavy Duty Outerframe - Head</p> <p>HD 97 Outerframe without screw ports</p> 	<p>Heavy Duty Outerframe Jamb</p> <p>HD 98 Outerframe with screw ports</p>  <p>HD 99 2nd Track</p> 	<p>Heavy Duty Outerframe Bottom</p> <p>HD 102 Optional Odd Leg Extension</p>  <p>HD 100 Outerframe without screw ports</p>  <p>HD 101 Outerframe Adaptor</p> 
<p>Balances & Fitch Catch</p> <p>Balances</p>  <p>Fitch Catch</p> 	<p>Sliding Panel Frame Interlocks</p> <p>HD 45 Sliding Panel Interlock With Handrail</p>  <p>HD 45Rev Sliding Panel Reverse Interlock With Handrail</p> 	
<p>Sliding Panel Frame</p> <p>HD 46 Sliding Panel</p>  <p>HD 47 Sliding Panel With Handrail</p> 		

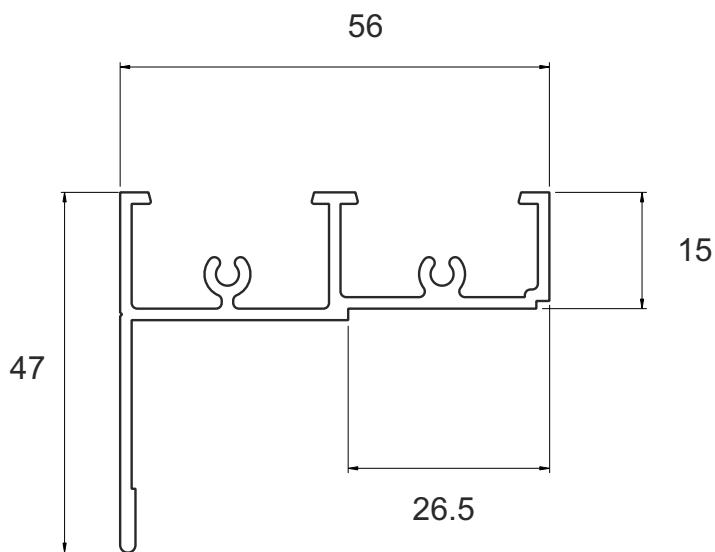


Heavy Duty Outerframe

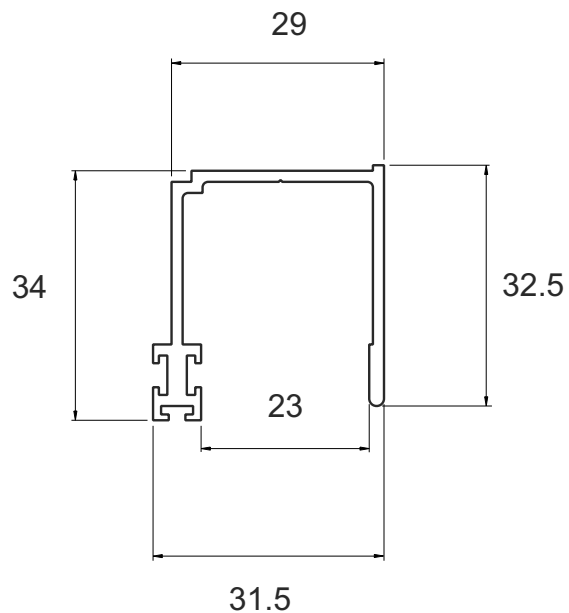
HD 97
Outerframe Head
without screw ports



HD 98
Outerframe Jamb
with screw ports



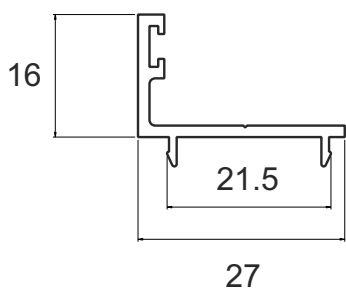
HD 99
Outerframe Jamb
2nd Track



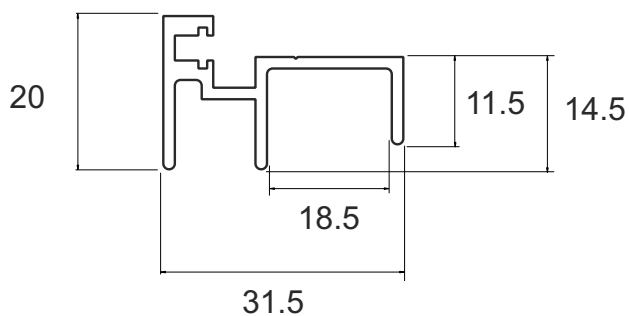


Heavy Duty Outerframe

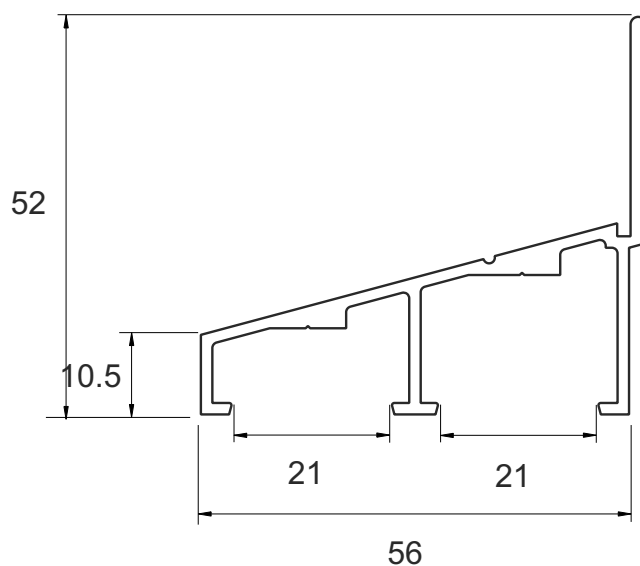
HD 102
Optional Odd Leg
Extension



HD 101
Outerframe Adaptor



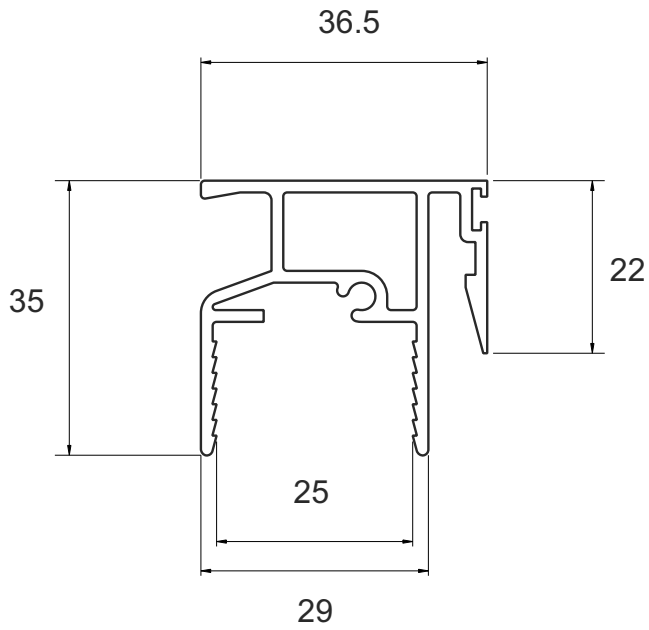
HD 100
Outerframe Bottom
with screw ports



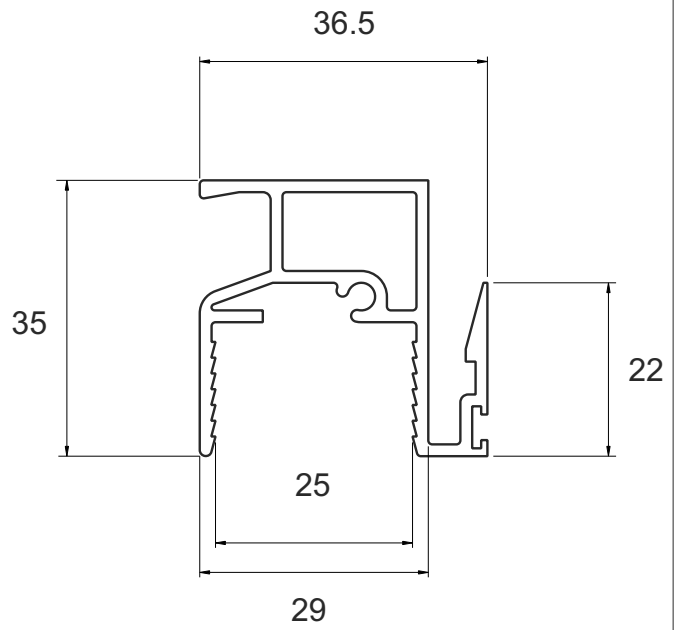


Sliding Panel

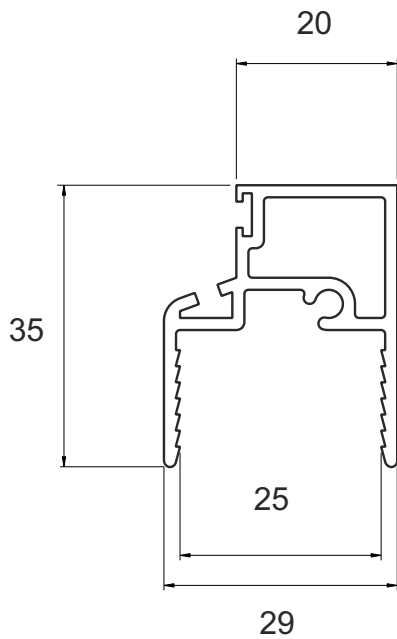
HD 45
Sliding Panel
Interlock With Handrail



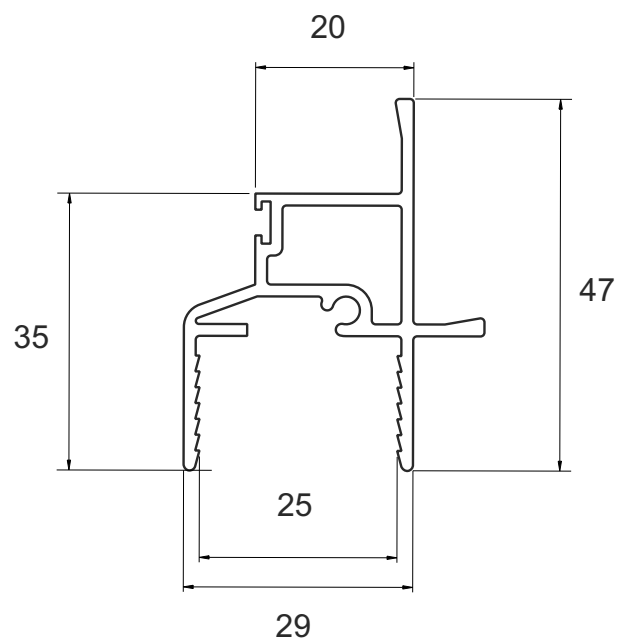
HD 45Rev
Sliding Panel
Reverse Interlock
With Handrail



HD 46
Sliding Panel



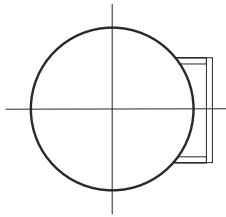
HD 47
Sliding Panel
With Handrail



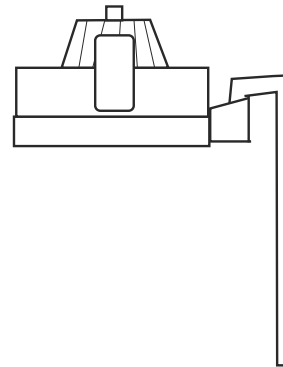


Balances & Fitch Catch

Balances



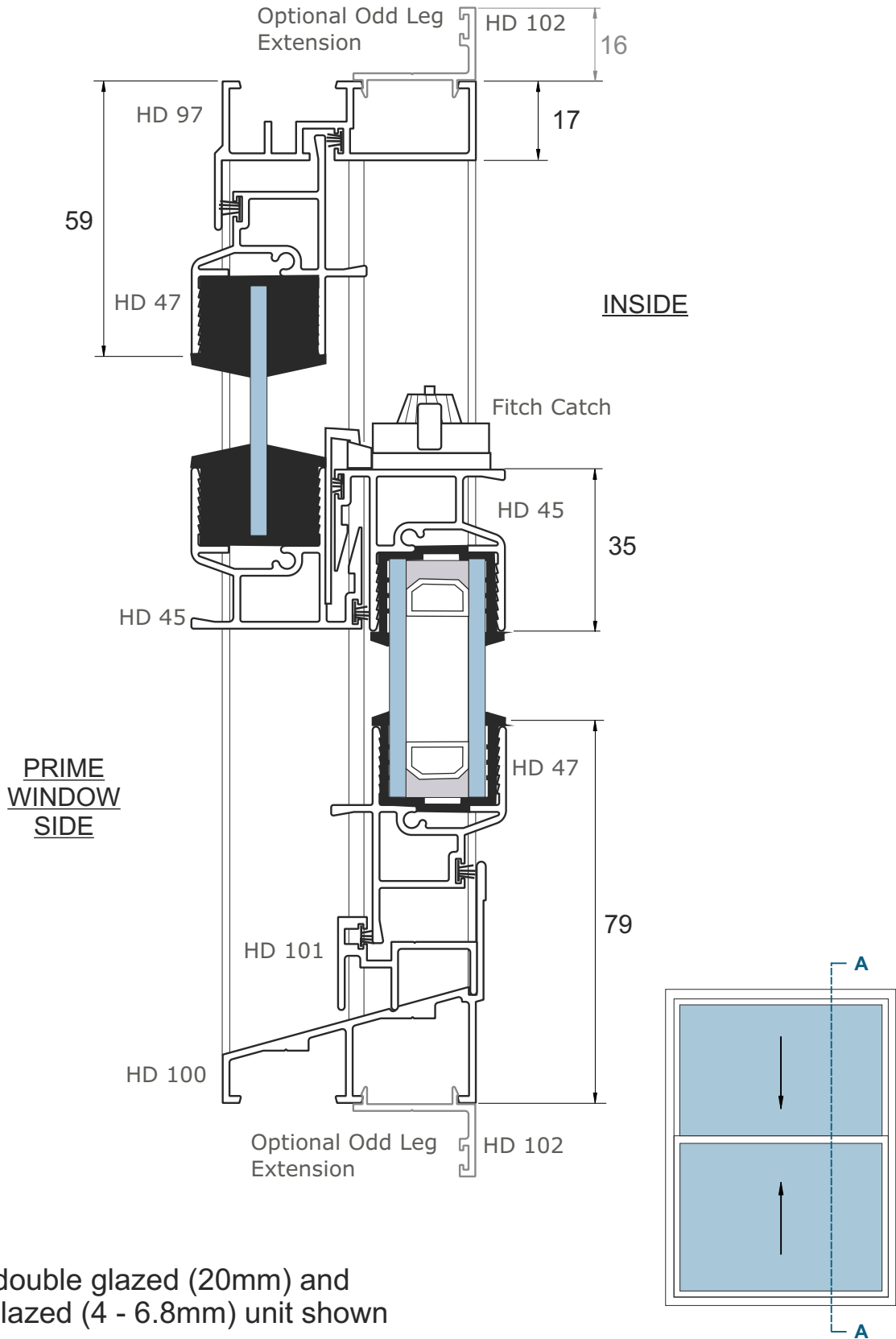
Fitch Catch





Cross Section

A - Cross Section

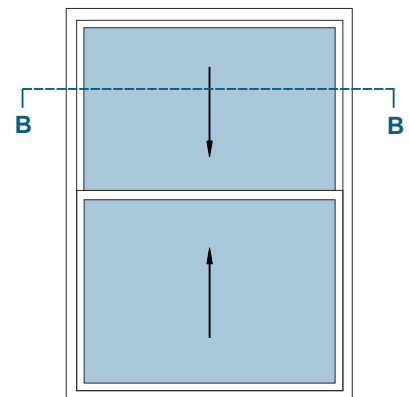
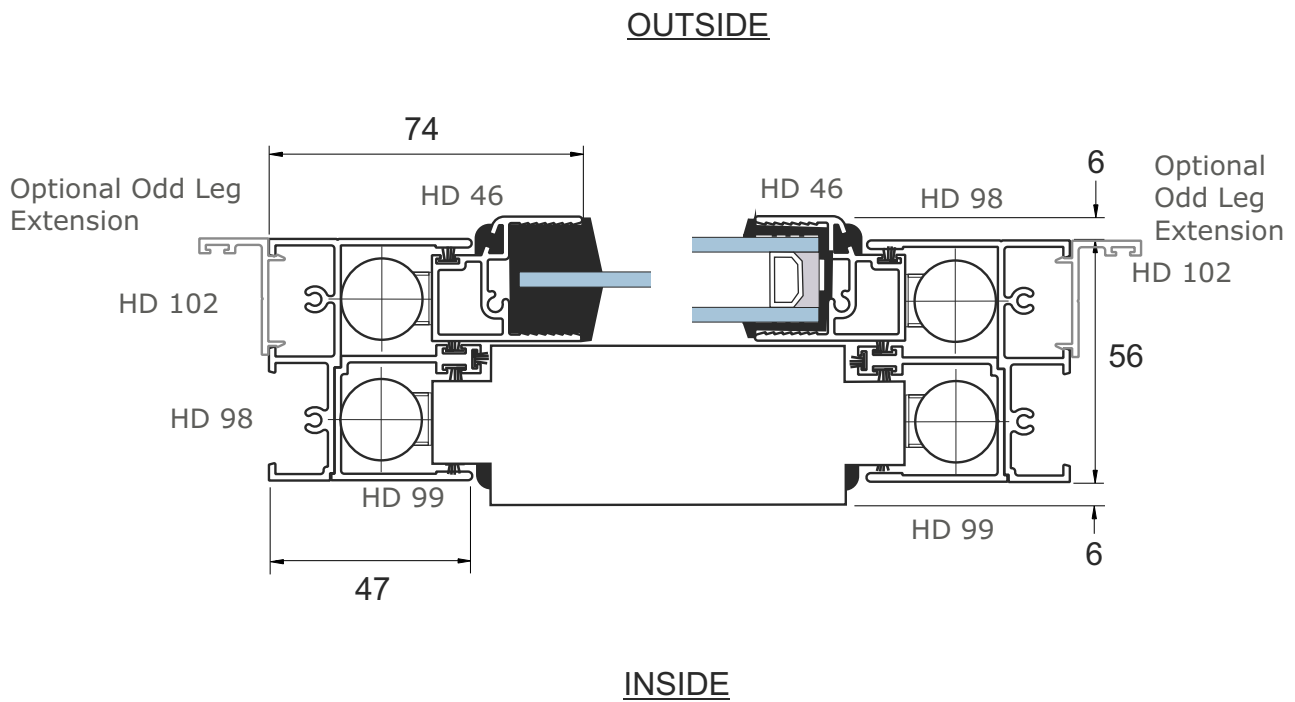


Both a double glazed (20mm) and single glazed (4 - 6.8mm) unit shown



Plan View

B - Plan View



Both a double glazed (20mm) and
single glazed (4 - 6.8mm) unit shown