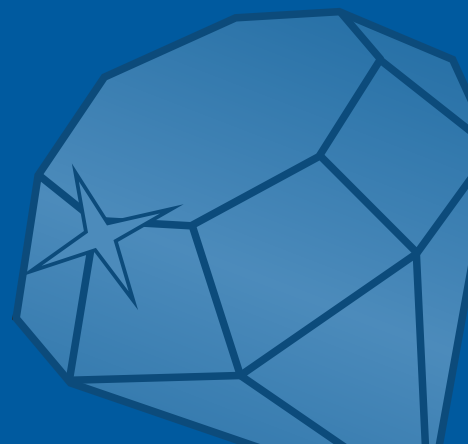


DuraTherm 300

'A' Rated Aluminium Windows



DURATION
WINDOWS



Stylish & Thermally Efficient **Aluminium Windows**



The DuraTherm 300 profiles utilise an innovative wide polyamide thermal break technology which creates a barrier between the cold air outside and the warm air inside. This technology significantly reduces thermal transmittance and enhances the overall U-Value of a product and is designed to exceed the exacting requirements of Document L 2010.

This versatile range can provide solutions for residential and light commercial applications. It can create traditional casement windows inspired by the elegance and styling of timber products, or contemporary style windows designed for modern homes or offices.

Key Features

- High performance 'A' rated windows.
- Can be upgraded to PAS24 for extra security.
- Conventional DUR colour range - White, Black, Dark Grey 7016, Medium Grey, Silver Grey, Cream or Brown.
- Available in any of over 200 single or dual RAL colours.
- Range of textured colours also available.
- 'Polyamide' thermally broken profiles for energy efficiency.
- Can be supplied unglazed or glazed for 24mm units.
- Internally beaded on all openers.*
- Feature or flat vent to suit every application.
- Exceeds current building regulations for Doc L.
- Suitable for light commercial or domestic projects.
- Matches our Ali47 Residential doors.**



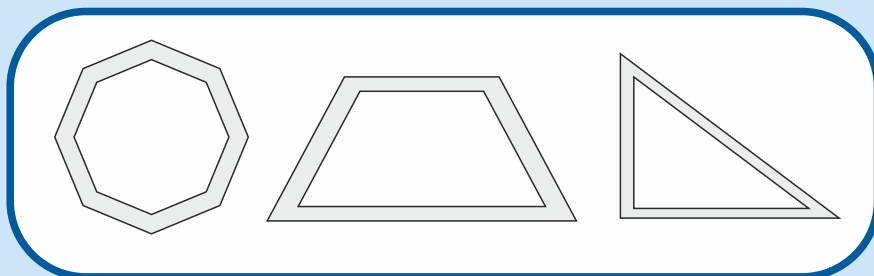
Shaped Windows

The system can be fabricated in a range of shapes as fixed frame windows. These can be used in a range of applications and can be coupled to our 70mm doors to create a light and airy space.



Shaped Products

- Shaped windows are fixed, non opening only.
- Shaped designs include: Triangular, Octagonal or Trapeziums.
- 70mm or 53mm frame options.
- Shaped windows can use either square or chamfered bead.
- Shaped windows can be coupled with most 70mm door ranges.



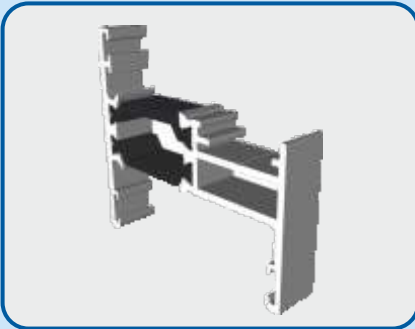
*Fixed windows are always externally beaded.
**70mm options are best for coupling.

Options

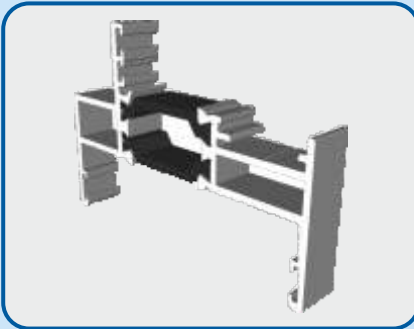
- Choice of 3 outerframes.
- 53mm or 70mm outerframe depths.
- Choice of 3 different sash designs.
- Range of projection cills available to suit your build.
- Hardwood frames available if required.

Outerframe Options

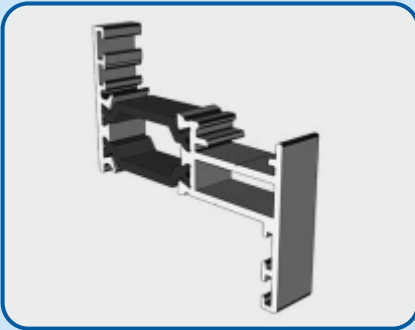
53mm Frame - ETC310



70mm Frame - ETC304

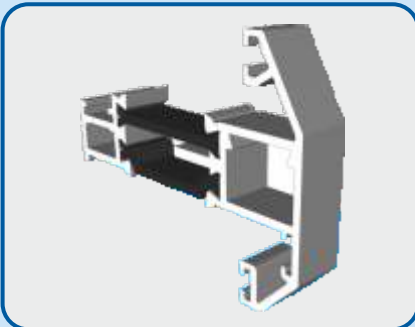


53mm Frame - ETC420

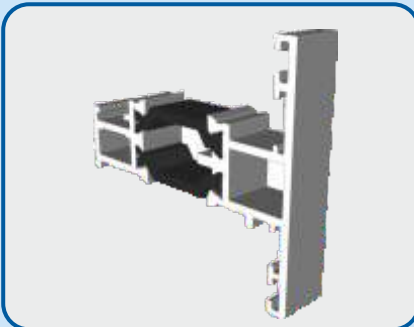


Sash Options

Feature Vent - ETC326



Flat Vent - ETC324



Externally Glazed Square Vent - ETC328N



Windows & Matching Doors



Range Of Styles Including Bays



Available In 200+ Colours



Fixed Triangular Windows



Range Of Styles & Options






Security

Our DuraTherm 300 windows are equipped with a range of security features including:

- Modern multi-point shootbolt locking with key locked Espag handles.
- Sash jammers to hinge side.
- Night vent security as standard.
- Modern friction hinges.
- Optionally upgrade to laminated glass for extra security.

Performance

Our DuraTherm 300 windows are designed with performance in mind to create the best windows possible at an affordable price.

WER	Air Permeability	Water Tightness	Wind Resistance	Security Upgrade
	 600 Pa	 1200 Pa	 2400 Pa	 PAS 24

Recommended Sizes

Top Hung		Side Hung	
Min. Width	425mm	Min. Width	350mm
Max. Width	1300mm	Max. Width	850mm
Min. Height	300mm	Min. Height	450mm
Max. Height	1300mm	Max. Height	1350mm

Hardware

Standard Handle



- White Gloss
- Black
- Chrome
- Silver
- Gold

Chelton Espag Modern



- White Gloss
- Black
- Dark Grey



Stylish & Efficient



Slim Frames



'A' Rated As Standard

Colours

Our DuraTherm 300 windows are available in a range of colours and can be either single or dual colour (different colour interior to exterior) to suit any design aspirations. Please see just a few examples below.

DUR Colours - Flat Paint Finish

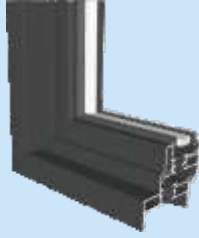
White
(9010 G or M)



Black
(9005 M)



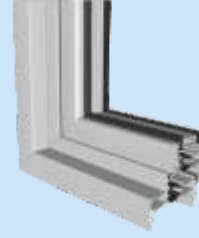
Dark Grey
(7016 M)



Medium Grey
(9007 Met.)



Silver Grey
(9006 Met.)



Ivory Cream
(1015 M)



Trend Colours - Textured Finish

Vulcan Black



Anthracite Grey



Available in 24 colours
see our website.

RAL Colours

200+ RAL Colours



This is only a selection of the available colours. Visit our website for more options.

Please note that for technical reasons associated with colour reproduction the images only give an indication of shade.

No guarantee can be given that they will exactly match the powder coated product.

Glass Options

Plain
Glass



Leads
Square, Diamond, Custom



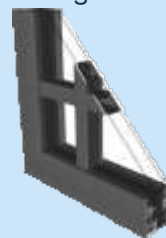
Flat Horizontal
Astragal Bars



Flat Overlapped
Astragal Bars



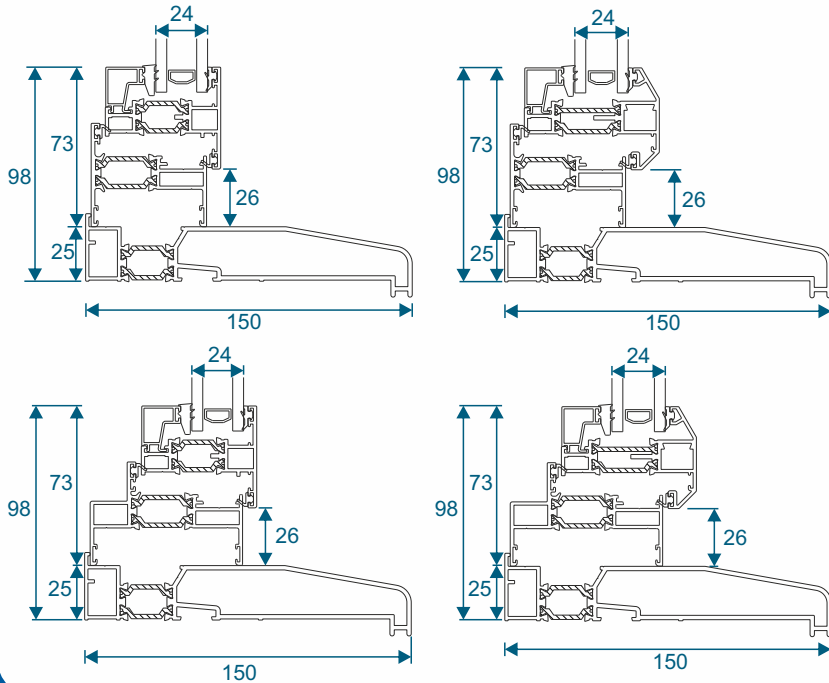
Flat Butted
Astragal Bars



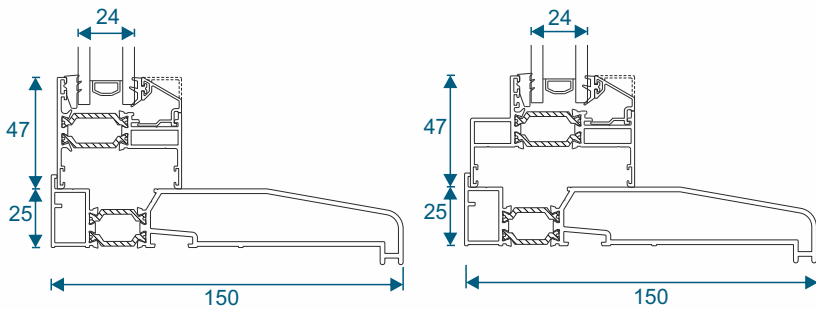
This is only a selection of the available glass options.

Technical

Opening Windows

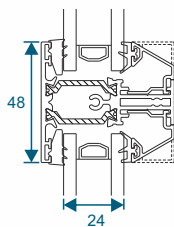


Fixed Windows

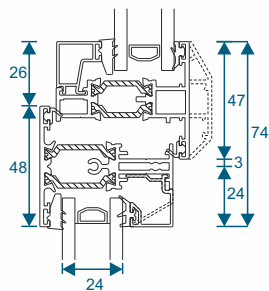


Transom or Mullion Sections

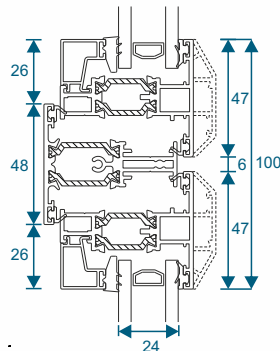
Fixed / Fixed



Opener / Fixed



Opener / Opener



Please note this is only a sample of the technical information for this product. For the full manual please consult our website.

Main Office & Factory

Units 4-5,
Charfleets Road,
Canvey Island,
Essex. SS8 0PQ

t: 01268 681612 (20 lines)
e: sales@duration.co.uk
w: www.duration.co.uk

Product Showroom

Unit 1 Casino Parade,
Eastern Esplanade,
Canvey Island,
Essex. SS8 7FJ

t: 01268 695100
SatNav Directions
Use: SS8 7DN.