

# Patio Room Divider

## Section Identification Guide



DURATION  
WINDOWS



# Contents



## **Profiles**

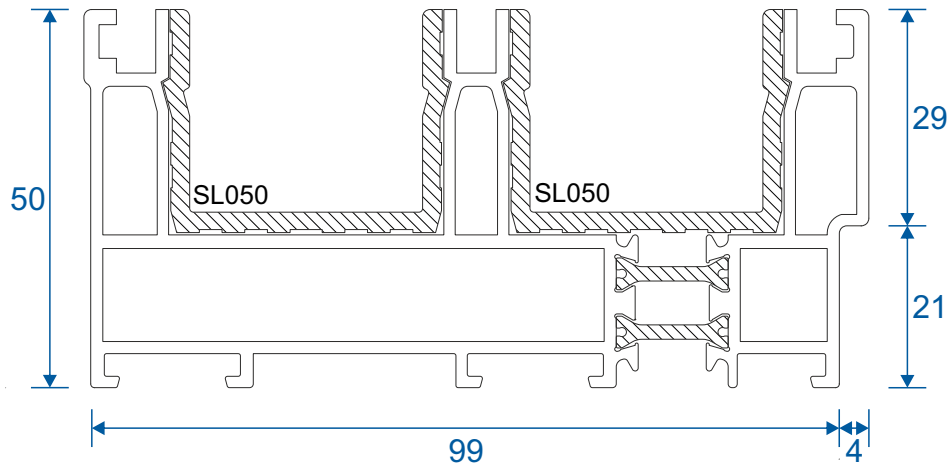
Outer Frame & Low Threshold	3
Sash & Interlocks	4

## **Section Drawings**

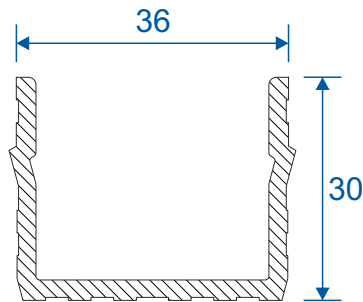
Three Track Head & Low Threshold	5
Three Track Jamb	6
Interlock & Meeting Stile	7
Outer Frame Assembly	8

# Outer Frames & Low Threshold

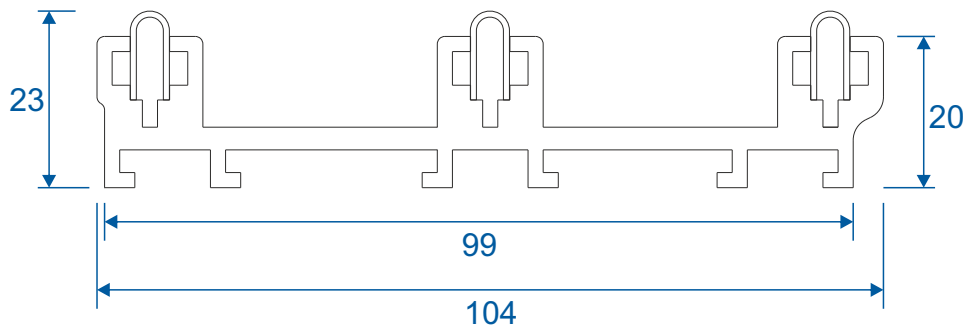
## SL310 - Outer Frame



## SL050 - PVC Cover Trim

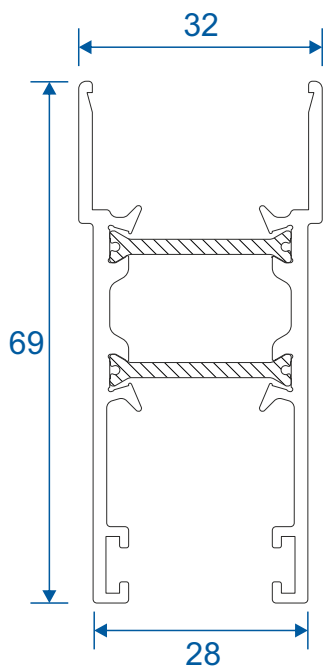


## SWL1190 - Low Threshold

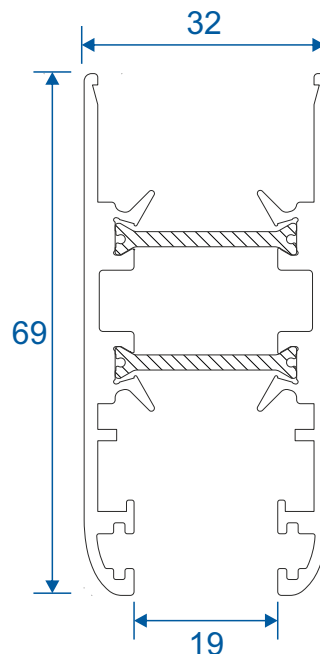


# Sashes & Interlocks

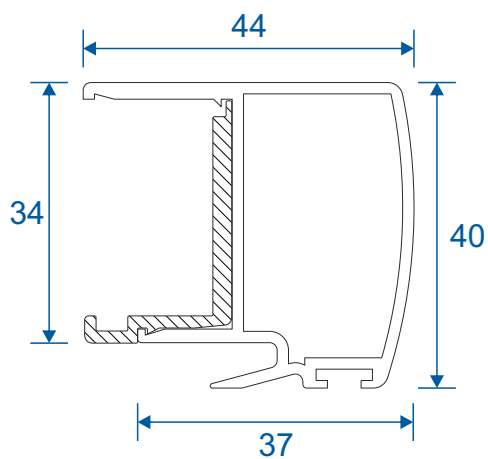
SL021 - Sash Bottom / Top Rail



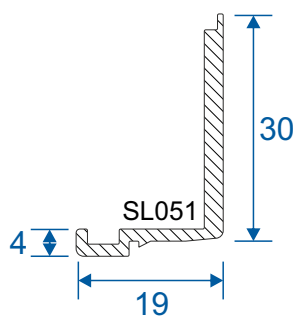
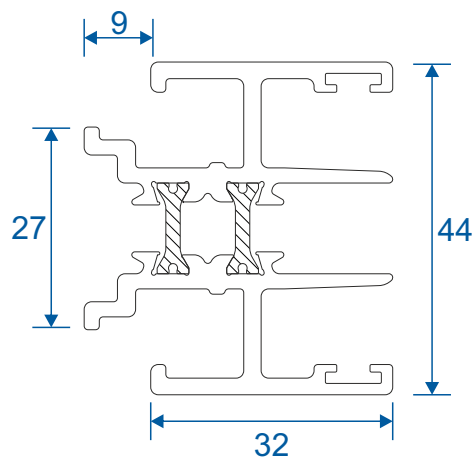
SL020 - Sash Jamb



SL030 / SL051 - Interlock

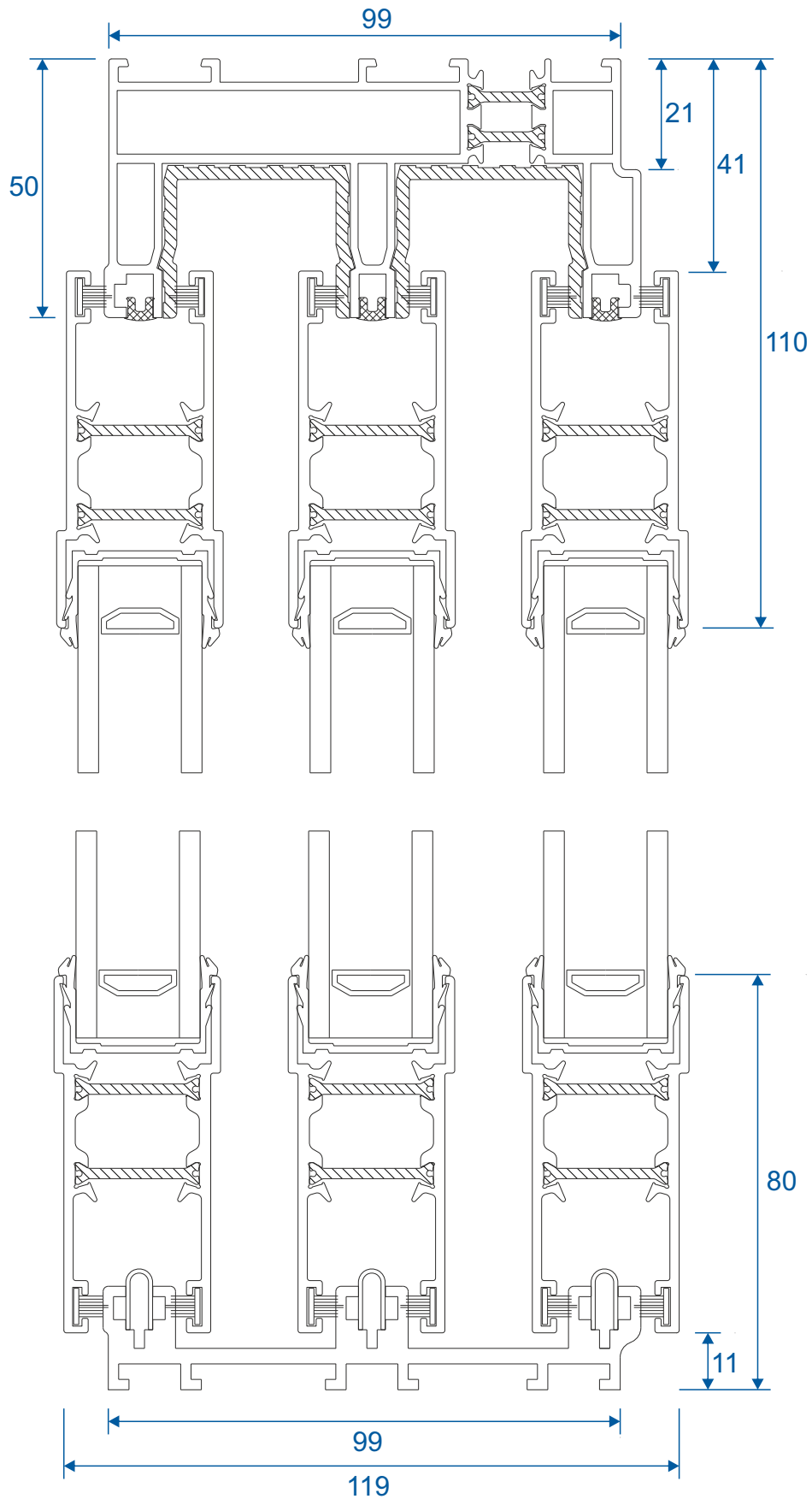


SL140 - Meeting Stile



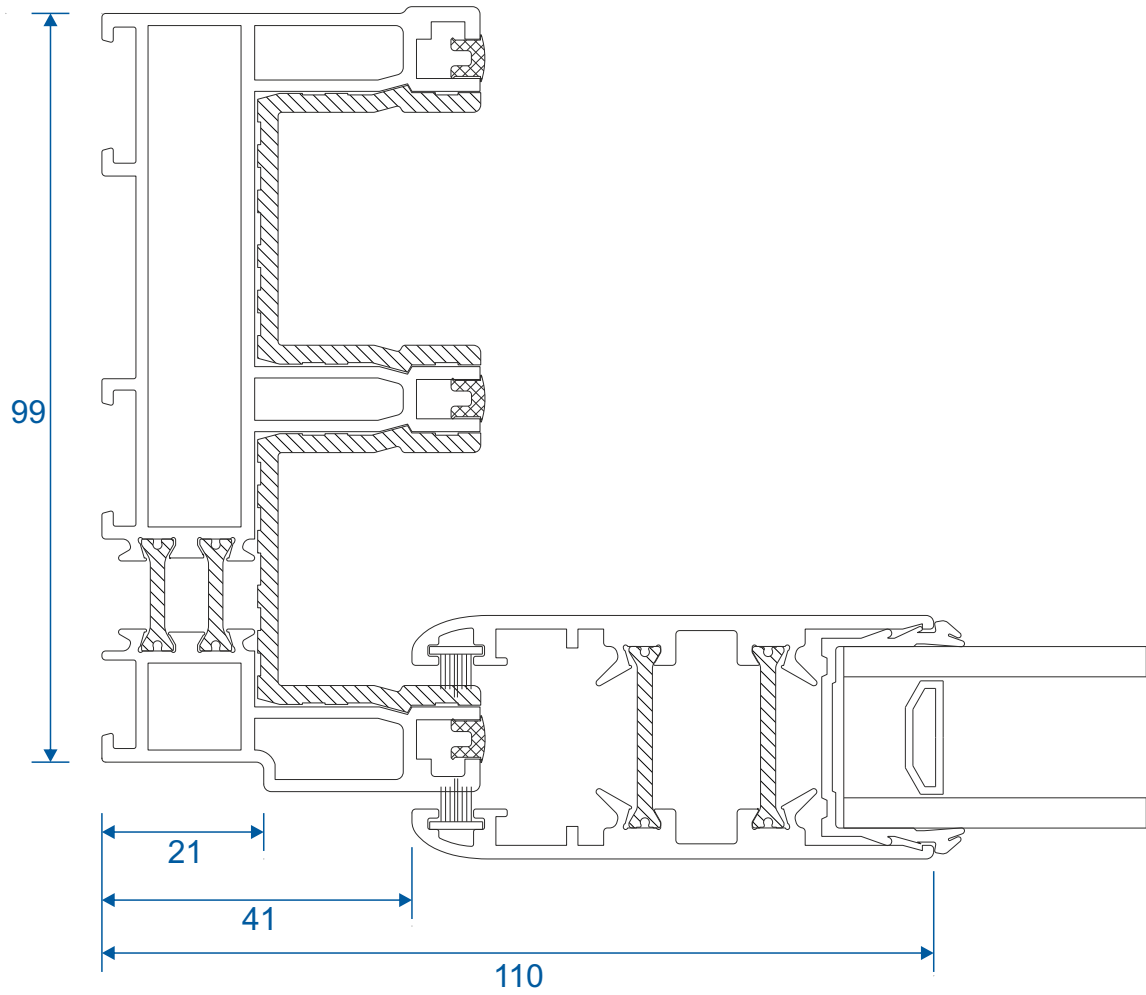
# Three Track

## Head & Low Threshold



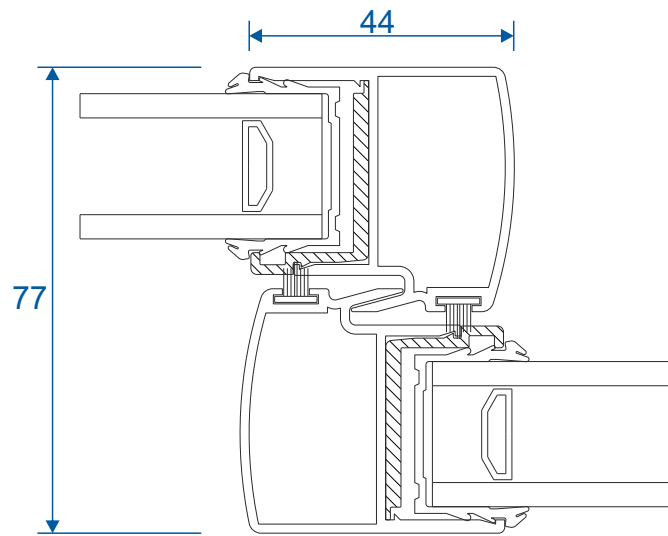
# Three Track

## Jamb

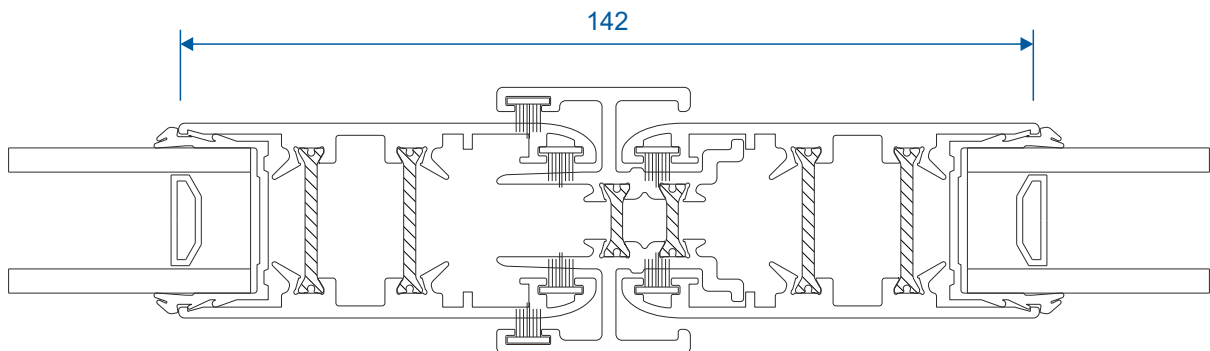


# Interlock & Meeting Stile

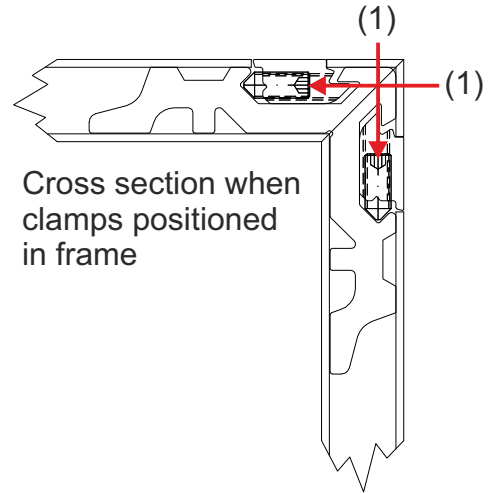
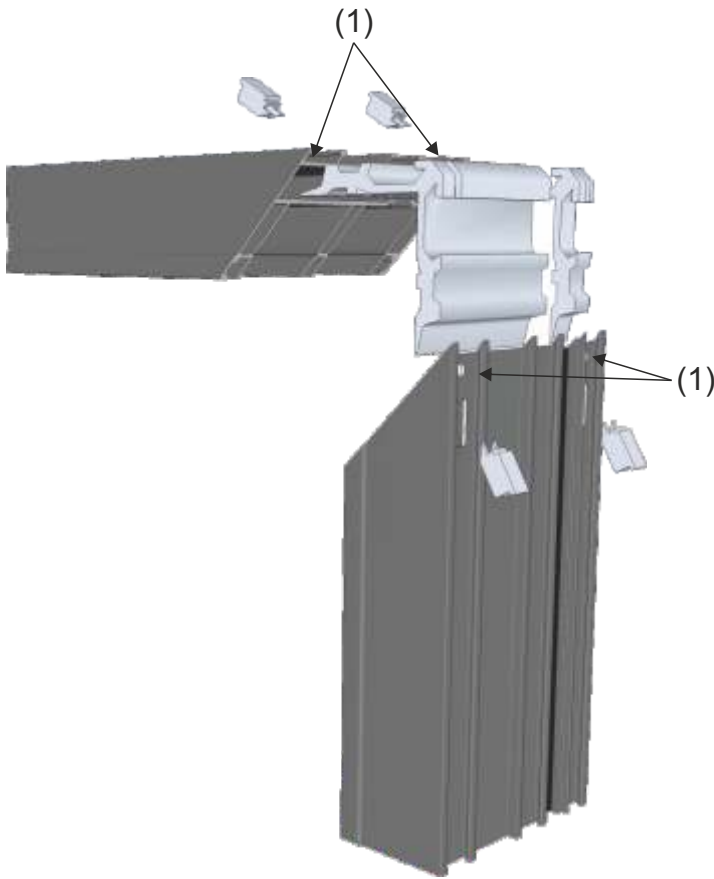
## Standard Interlock



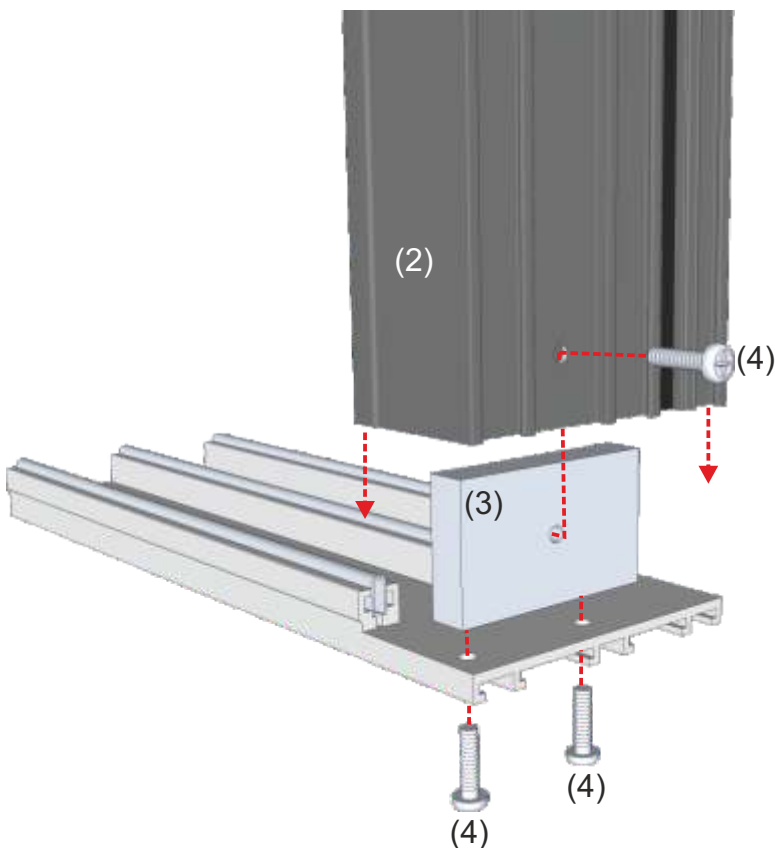
## For 4 & 6 Panel Doors



# Outer Frame Assembly



- Insert cleats into desired position.
- Insert blocks, these are then tightened using an allen key inserted through the small hole above the block opening (1). This will bring the two frame sections together.
- **Remember to always seal any joins.**
- Repeat this until both corners are assembled and sealed.
- Screw block to threshold.
- Place square cut jamb (2) over block (3) and screw into position (4).
- **Remember to always seal any joins.**
- Repeat this until both jambs are assembled and sealed to the threshold.





Duration Windows  
Thames Development  
Charfleets Road  
Canvey Island  
Essex. SS8 0PQ

[sales@duration.co.uk](mailto:sales@duration.co.uk)  
[www.duration.co.uk](http://www.duration.co.uk)

**Head Office** 01268 681612  
**Showroom** 01268 695100