

# Premium

Aluminium Bi-Folding Doors



DURATION  
WINDOWS



# Relax & Enjoy

Your New

# Premium

## Bi-folding Door



Our Premium Bi-folding doors are designed to transform the way you live your life. Whether you choose to relax in a stylish open plan living area or you want to create beautifully panoramic views from any room, the Continental is the perfect option for you.

These doors utilise the natural strength of aluminium and offers the perfect focal point to any room - enabling you to bring the outdoors in and make the most of your beautiful garden or stunning views. The extensive range of colours and hardware also means each door can be fully customised to suit your individual style requirements and provide that perfect look you wanted.

The Premium Bi-folding door comes with the assurances you would expect from a quality designed product that requires minimal maintenance and delivers reliable performance over a lifetimes use. This means you can relax and simply enjoy your newly created space and doors.

## Key Features

- Utilises the natural strength of aluminium to create slim thermally broken profiles.
- Uses low maintenance, hard wearing powder coated aluminium.
- Over 200 single or dual colours.
- Single or French door styles to match.
- Exceptional array of security features as standard.
- Doors are bottom hung and run on double stainless steel tracks.
- An assortment of glazing options offered including laminated security and solar control glass.
- Options for dust free integrated blinds.
- All door styles have the option to open in or out.
- Low U-values of 1.4 W/M<sup>2</sup>K or upgrade to 1.2 W/M<sup>2</sup>K.
- Available with a moving corner post.
- Also available as a bi-folding window.
- Internally beaded for added security.

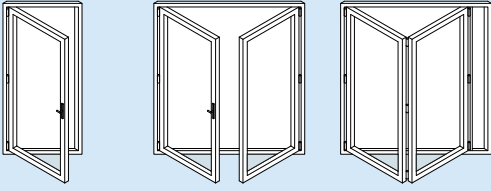
## Options

- 2 to 7 panel folding configurations. (8+ panels please ask)
- Flush or rebated threshold.
- Square or chamfered bead to the interior.
- Square or rounded profile to the exterior.
- White or black gaskets.
- Range of quality hardware in a variety of colours.
- Colour matched aluminium quad trims.

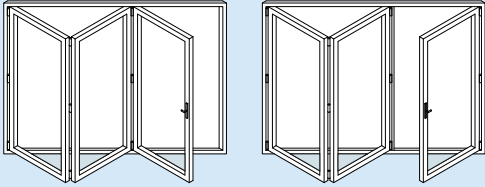


# Door Styles

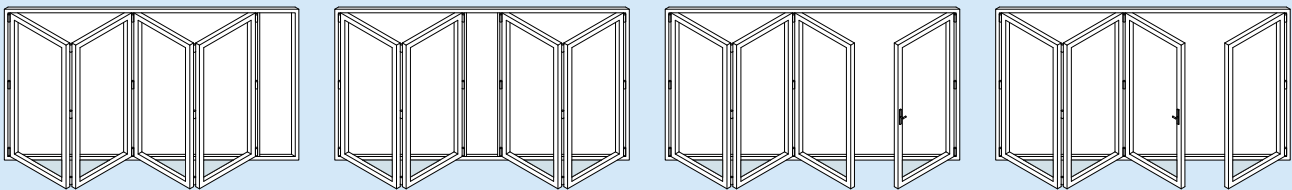
1 & 2 Panels



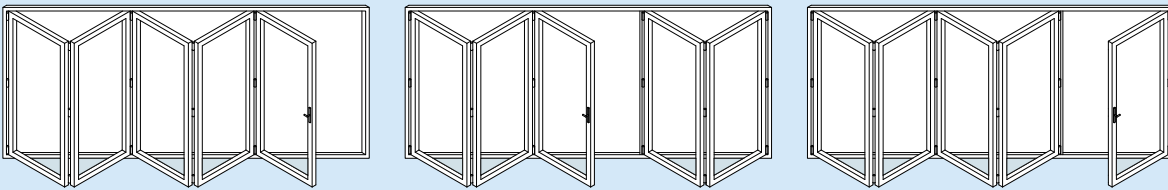
3 Panels



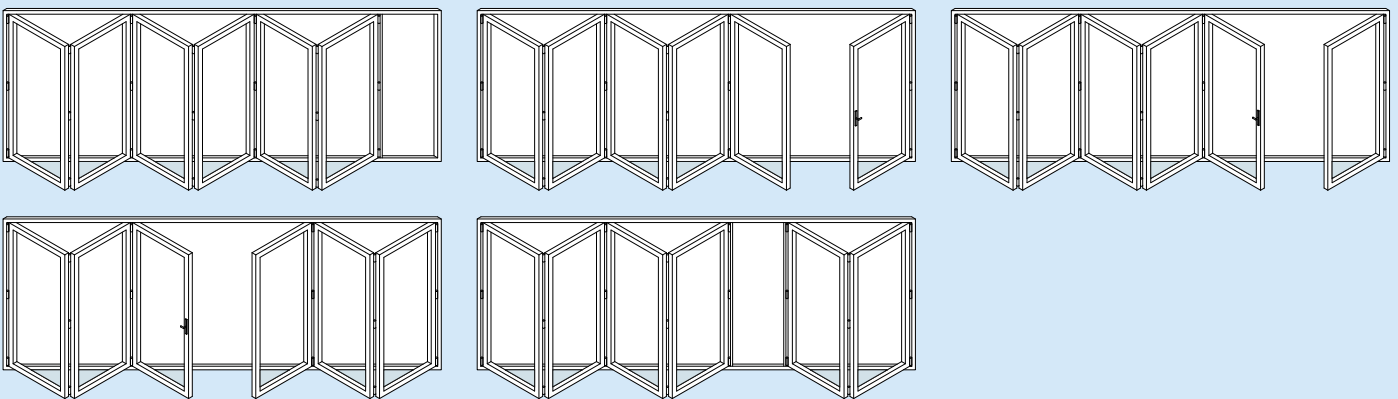
4 Panels



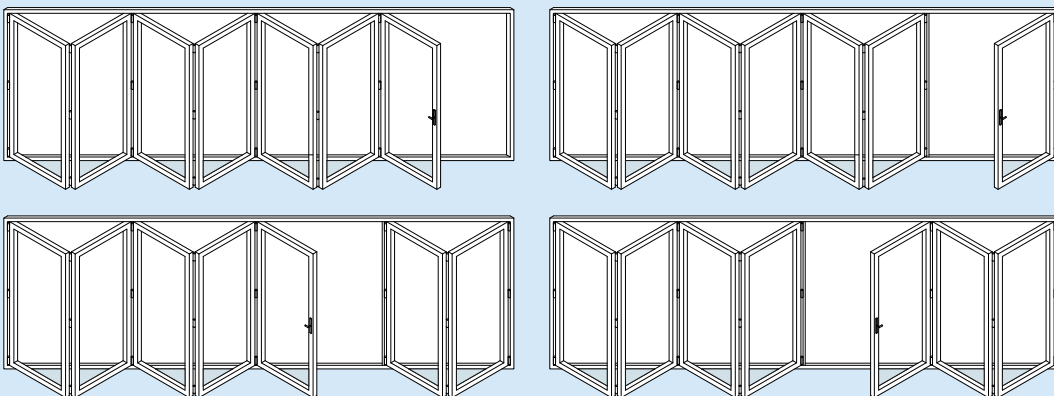
5 Panels



6 Panels



7 Panels



Panel Widths		Door Heights	
Minimum Width	700	Minimum Height	1600
Maximum Width	1200	Maximum Height	2750

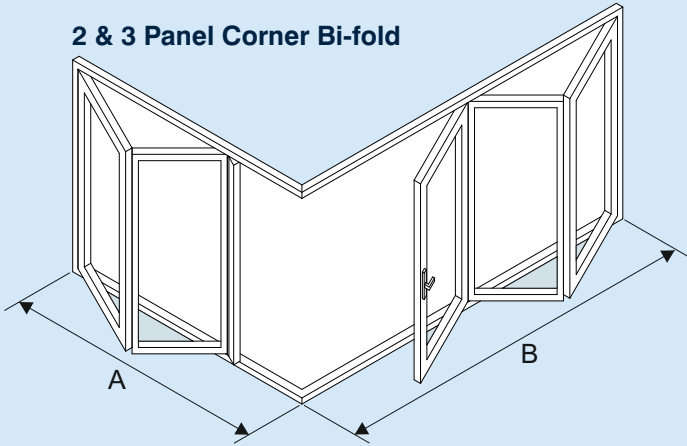
- All bi-folding door styles can be mirrored from shown.
- All styles have a choice to either open out or open in.
- The sizes detailed above are for guidance only.
- If the sizes you require are less than the minimum or exceed our maximum recommended sizes please contact us.

# Floating Corner Post Doors

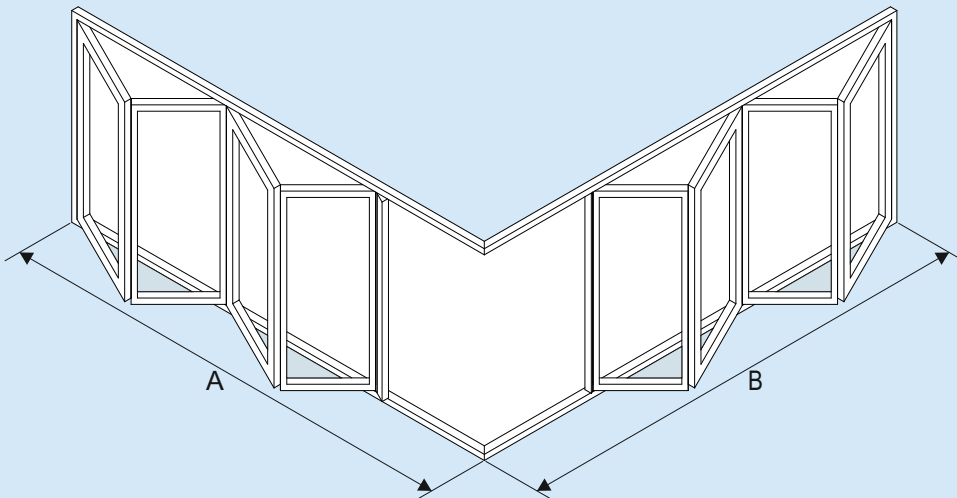
Below shows just two examples of the configurations available, for all others please see list.

Our corner bi-folding doors are designed so each side opens in one direction away from the corner. All doors are open out with standard threshold only and are non-supporting.

**2 & 3 Panel Corner Bi-fold**



**4 & 4 Panel Corner Bi-fold**



## Available Configurations

A	B
1	2
1	4
1	6

A	B
2	1
2	2
2	3
2	4
2	5
2	6
2	7

A	B
3	2
3	4
3	6

A	B
4	1
4	2
4	3
4	4
4	5
4	6
4	7

A	B
5	2
5	4
5	6

A	B
6	1
6	2
6	3
6	4
6	5
6	6
6	7



# Colours

Our Premium bi-folding doors are available in a range of colours to suit any project. These are shown below:

## Conventional Colours - Flat Paint Finish

Std White  
(9910 G)



Black  
(9005 M)



Dark Grey  
(7016 M)



Dove Grey  
(7035 SG)



Brown  
(8017 M)



## RAL Colours

200+ RAL Colours



This is only a selection of the available colours.  
Please note that for technical reasons associated with colour reproduction the images only give an indication of shade.  
No guarantee can be given that they will exactly match the powder coated product.  
Visit our website for more options..

# Glass Options

Toughened - Safety



Planitherm 4S - Thermal



Laminated - Security



Self Clean Only



Solar Control Only



Solar Control & Self Clean



Manual Block Blinds



Remote Control Blinds



\* Our doors are also available un-glazed






# Security

Our Premium bi-folding doors are equipped with a comprehensive set of security features designed to give you peace of mind that your property is safe and secure.

- All handles are key lockable as standard.
- Lever handles use a 4 point locking system. This includes 2 heavy duty hook locks, 1 dead bolt and 1 latch.
- Intermediate panels use heavy duty shoot bolts top and bottom.
- Bogie wheels and top rail guide are used as an anti-jemmy feature to prevent panels being lifted off the tracks.
- On doors with outside access we use high security cylinders that are pick resistant, anti-drill and anti-bump.
- Upgrade to laminated glass for added security.
- The doors are internally glazed to offer greater security.

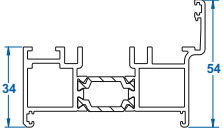
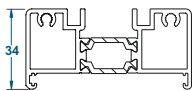
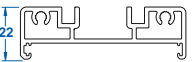
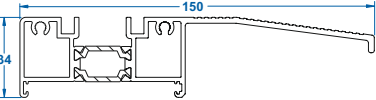
# Performance

Our doors are designed to provide the best performance possible. With the longevity of aluminium and minimal maintenance needed these doors are designed to last the test of time.

U-Value W/M <sup>2</sup> K	U-Value W/M <sup>2</sup> K	Air Permeability	Water Tightness	Wind Resistance
				
1.4	1.2	600 Pa	600 Pa	2400 Pa
As Standard	Glass Upgrade			

# Threshold Options

- 54mm Standard rebated threshold.
- Two 34mm Flush thresholds (one with integrated external ramp).
- 22mm Flush threshold for internal use only.
- Cills come in 3 projections of 96mm, 150mm or 190mm (all cills are 25mm in height).
- Flush thresholds can be sunk into the floor.
- Standard rebated threshold can be sunk into the floor to create minimal step over and give maximum weather performance.

<p><b>Standard Threshold</b></p> 	<p><b>34mm Low Threshold</b></p> 
<p><b>22mm Low Threshold (internal only)</b></p> 	<p><b>34mm Low Threshold (with ramp)</b></p> 

For more information see our thresholds booklet available online.



Anti-Bump Cylinder



Heavy Duty Hook Lock



Thermally Efficient



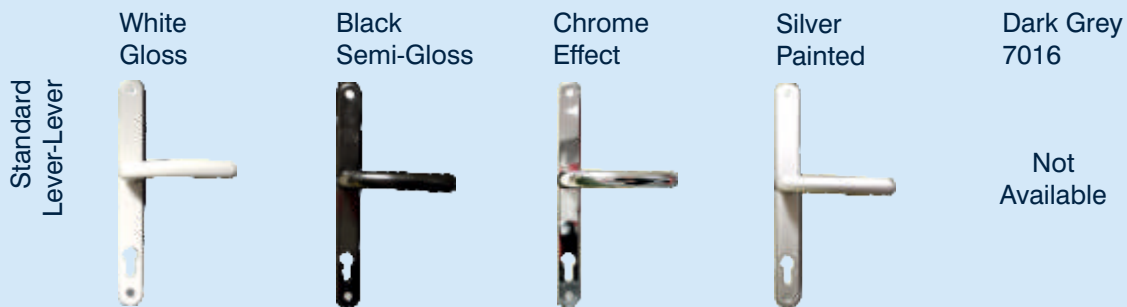
Standard Threshold With Cill



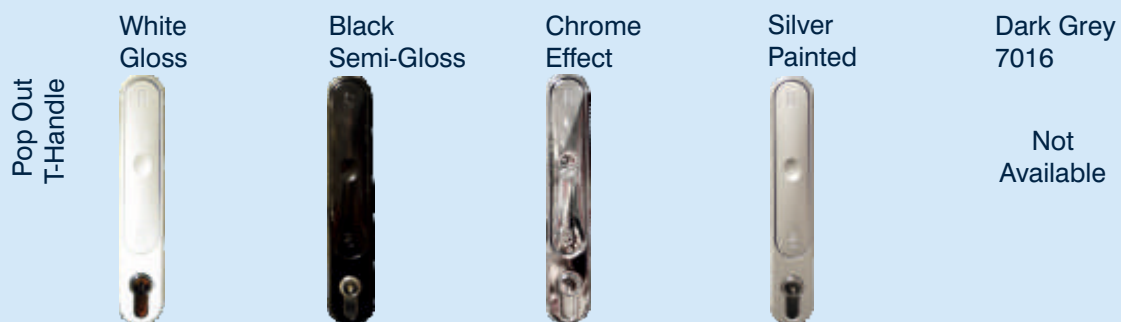
34mm Flush Threshold

# Hardware

## Traffic Door Handles



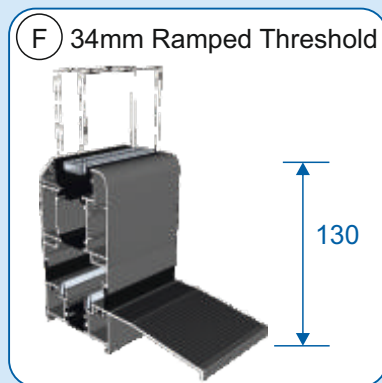
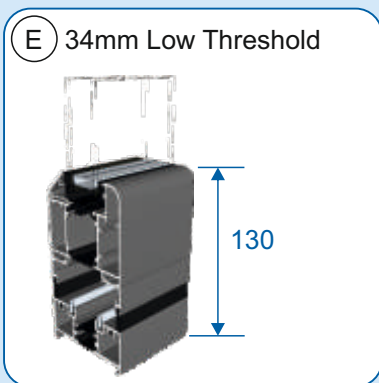
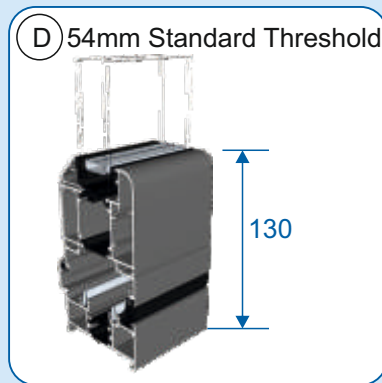
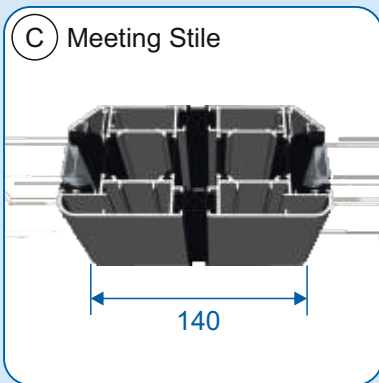
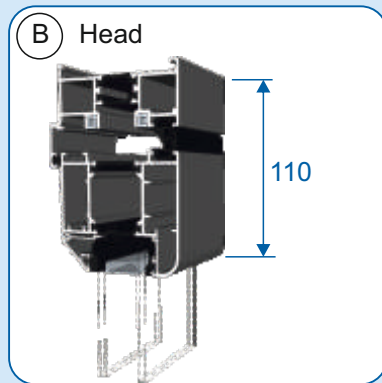
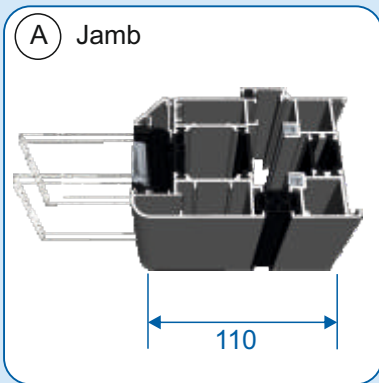
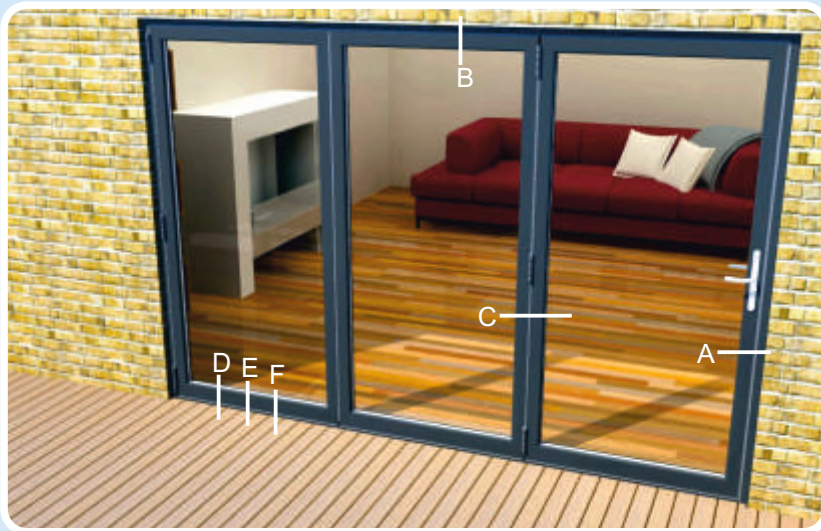
## Intermediate Panel Handles



## Buffer Magnets



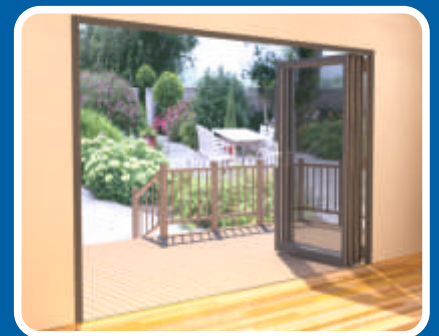
# Technical



All sizes in mm



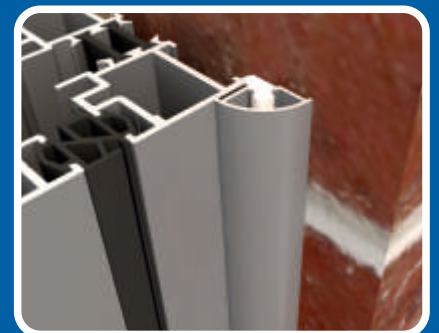
Thermally Broken Aluminium



Large Clear Openings



Heavy Duty Bogie Wheels



Optional Aluminium Quad Trim

# Threshold Options

Our Premium bi-folding doors are available with three different threshold options as shown below.

## Standard Threshold



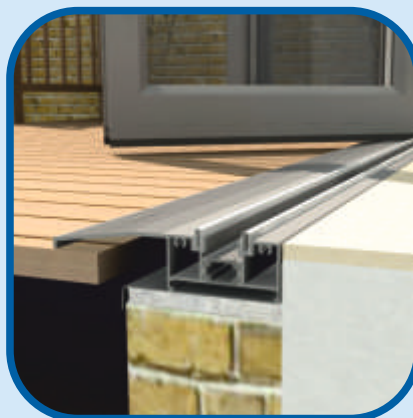
## Standard Threshold With Cill



## 34mm Low Threshold



## 34mm Low Threshold With External Ramp



# Why Aluminium?

There are many reasons why aluminium is a better material when making bi-folding doors compared to other materials.

Aluminum as a material can be customised in a wide range of colours and special textured finishes as well as gloss, semi gloss or matt finishes.

Due to aluminum being a metal it offers great strength as a material which means we can create slimmer sight lines while maximizing glass area. This is not possible with a lot of other materials as they cannot support the load of large glass units.

The life span of an aluminium product is measured in decades rather than years.

Aluminium is a sustainable building material and is recyclable. The recycling process creates high quality aluminium which loses none of the physical properties, meaning that it can be endlessly recycled for use as new products without losing quality. Recycled Aluminium also uses just 5% of the energy it takes to create primary aluminium.

## Safety

Our bi-folding doors have been designed with safety in mind. We know what safety means to our customers which is why we spend time to make our door safer to use.

Our doors are all fitted as standard with finger safe gaskets to help maximise safety when little fingers use the doors.

All our traffic doors are fitted with buffer magnets which join the traffic door to the next panel. This feature prevents the door from slamming shut or moving around in the wind.

## Low Maintenance

We only use the finest quality materials and hardware for our doors. This is why there is very little work (if any) involved when it comes to maintaining them.

Aluminium is a great material for minimising your time spent on keeping it looking fresh and new. Unlike other materials aluminum will not rot, rust or need to be repainted. All your new aluminium bi-folding door will need is the occasional wash down with warm soapy water.

We use high grade polyester powder coatings from only approved sources to paint our metal. This coating has a high resistance to marking and colour fading meaning your doors will maintain that new feeling for longer.

Our quality stainless steel tracks and wheels provide long term ease of operation; with just a periodic application of a silicone based lubricant.

- Light Weight With High Strength
- Durable
- High Resistance to Corrosion
- Low Maintenance
- Long Life Span
- Recyclable & Sustainable
- Extensive Colours and Finishes
- Slim Sight Lines
- Maximum Glass Area



Duration Windows  
Thames Development  
Charfleets Road  
Canvey Island  
Essex. SS8 0PQ

[sales@duration.co.uk](mailto:sales@duration.co.uk)  
[www.duration.co.uk](http://www.duration.co.uk)

**Head Office** 01268 681612  
**Showroom** 01268 695100