

# Premium Slider

Aluminum Sliding Patio Doors



DURATION  
WINDOWS



**The Premium Slider** system offers numerous advantages: performance, design and speed of implementation. With a filling range of between 24 and 32 mm, this range offers an excellent level of thermal and acoustic performance, as well as optimal sealing.

The thinness of the central upright allows maximum light intake, while providing a modern touch thanks to its straight and minimalist shapes.

The assembly process has been optimized to significantly reduce assembly time.



**Outstanding U-Values**

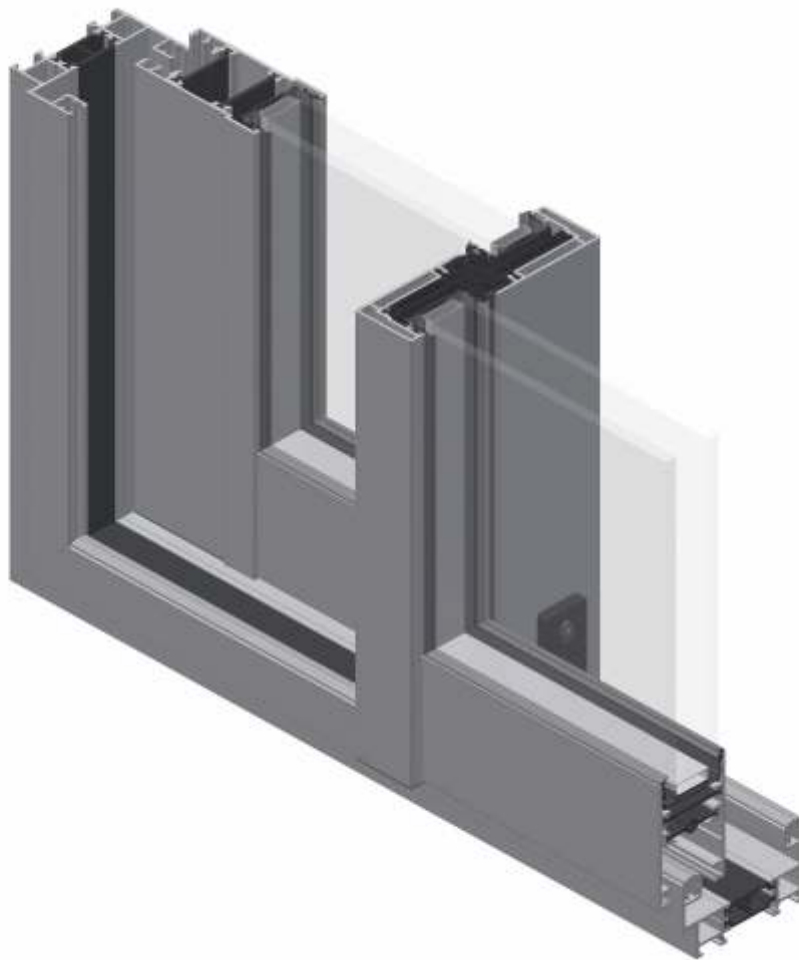
# Get Creative

## *with Space & Light*

With a range of width, glazing, hinge and furniture options, our doors can be configured to suit any design theme, from traditional to minimalist and contemporary to industrial.

### SPECIFICATIONS

|                |  |
|----------------|--|
| Maximum Width  | 10000mm                                  |
| Maximum Height | 2700mm                                   |
| U-Value        | 1.4                                      |
| Colour         | Various powder coating colours available |



Elegant, slim design style • Versatile & flexible system

High quality manufacture • Low maintenance

Duration Windows  
Thames Development  
Charfleets Road  
Canvey Island  
Essex. SS8 0PQ

[sales@duration.co.uk](mailto:sales@duration.co.uk)  
[www.duration.co.uk](http://www.duration.co.uk)

**Head Office** 01268 681612  
**Showroom** 01268 695100