

Duraslide 2000

Aluminium Patio Doors



DURATION
WINDOWS



Slim, Stylish & *Elegant* **Duraslide 2000**



The Duraslide 2000 features slim-line profiles, minimal sight lines and features the latest 'Polyamide' thermal break technology, providing consumers with both enhanced thermal performance and the option of dual colour profiles* in a wide choice of colour finishes.

The doors feature double glazed sealed units that are secured using a wrap-around glazing system resulting in slimmer more secure panels. They are also fitted with a multi-point locking system with stainless steel one piece keep for enhanced security. With its security, looks and overall thermal efficiency, the Duraslide 2000 is suitable for residential applications; both new build and refurbishment projects, and can be fitted into a timber subframe or directly to brick.

The Duraslide 2000 is highly versatile and offers a choice of double or triple track configurations, a standard or heavy duty interlock and all panels on this door can slide giving more flexibility.

*Dual colour only available on two track designs.

We reserve the right to make changes to the product specification as technical developments dictate, and without prior notice. Pictures shown are for illustrative purposes and are not binding in detail, colour or specification.

E. & O.E.

Key Features





- All panels can slide offering greater flexibility.
- Over 200 single or dual colours available.*
- Also available in a range of textured colours.
- 'Polyamide' thermally broken profiles for superior efficiency.
- Slim-line interlock of just 38mm and unique 'egg' design.
- Wrap around glazing system provides added security.
- Multipoint locking system consisting of four hook locks.
- Stainless steel one piece keep.
- Runs on stainless steel tracks.
- Can be installed into a timber subframe or direct to brick.
- Exceeds current building regulations.



Options

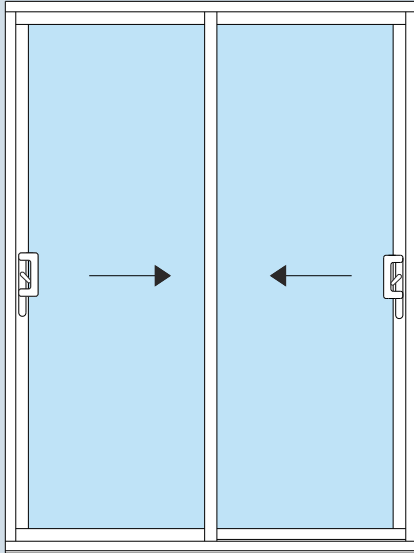
- Available in 2, 3 or 4 panel configurations.
- Two or three track options available.
- Range of projection cills available to suit your build.
- Colour matched aluminium quad trim available.

Performance

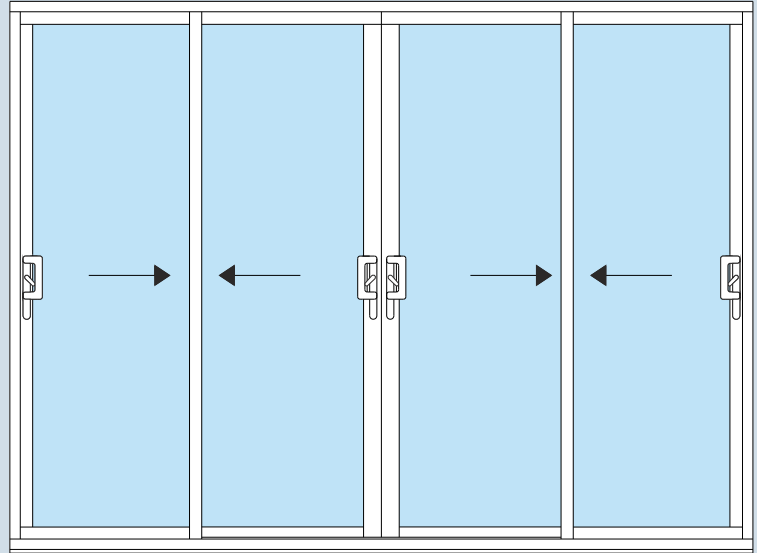
U-Vaule	Air Permeability	Water Tightness	Wind Resistance
 1.7 As Standard	 600 Pa	 250 Pa	 1200 Pa

*Dual colour only available on two track designs.

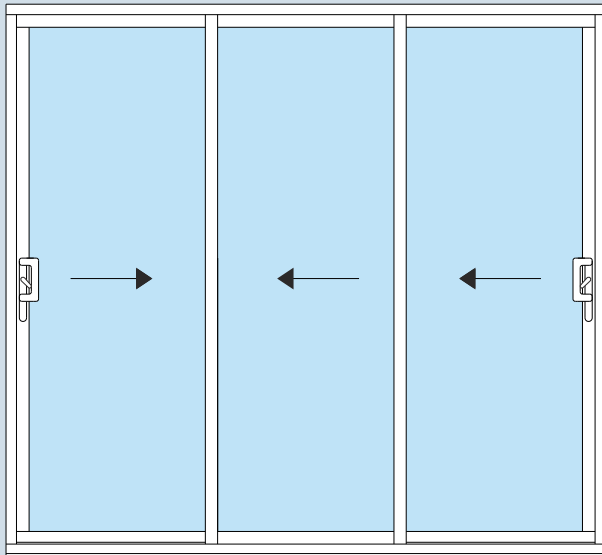
Configurations



2 Panel - 2 Tracks



4 Panel - 2 Tracks



3 Panel - 3 Tracks

All the above configurations can be made so all panels move or can have some panels fixed if require. Please ask.

Hardware

'D' Handle



Black
Silver

'P' Handle



White
Gold

'P' Handle



Chrome
Silver
Gold

Handles can not be colour matched on this product.

Colours

DUR Colours - Flat Paint Finish

White
(9010 G)



White
(9010 Met.)



Black
(9005 Met.)



Dark Grey
(7016 M)



Medium Grey
(9007 Met.)



Silver Grey
(9006 Met.)



Trend Colours - Textured Paint Finish

Anthracite Grey
(DUR 14 ST)



Velour White
(DUR 001 T)



Silver Grey
(DUR 017 T)



Diamond Grey
(DUR 026 T)



Vulcan Black
(DUR 014 T)



Obsidian Black
(DUR 013 T)



Available In 200+ Colours

RAL Colours

200+ RAL Colours



Three Panel Design

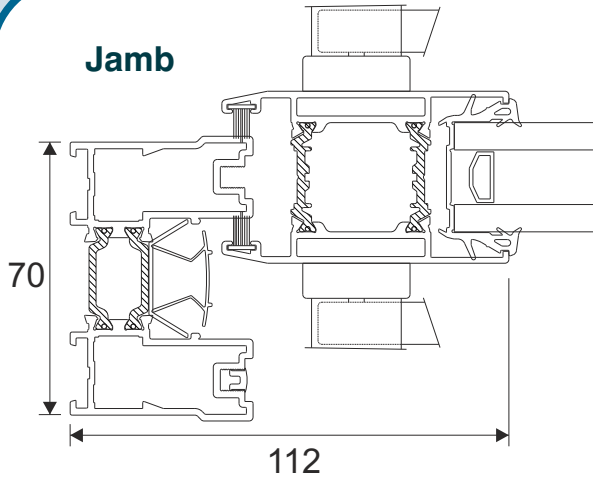


Multi-Point Locking

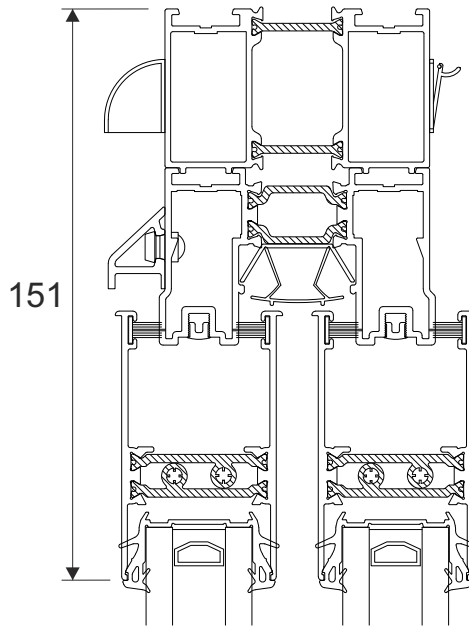
This is only a selection of the available colours. Please visit our website for more options. Please note that for technical reasons associated with colour reproduction the images only give an indication of shade. No guarantee can be given that they will exactly match the powder coated product.

Technical

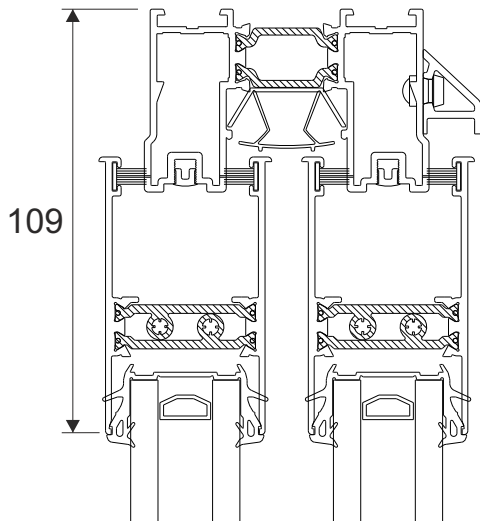
Jamb



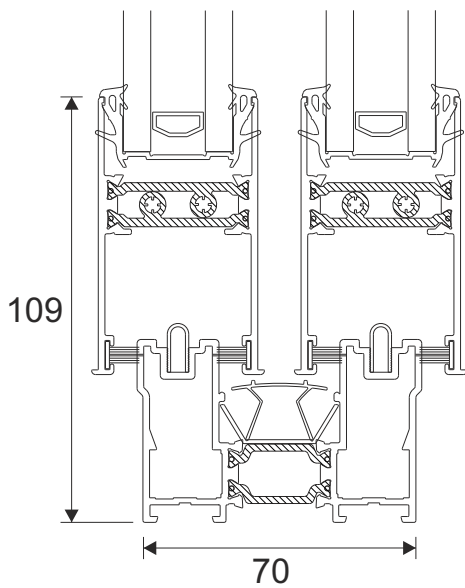
Head With Extension - For Trickle Vents



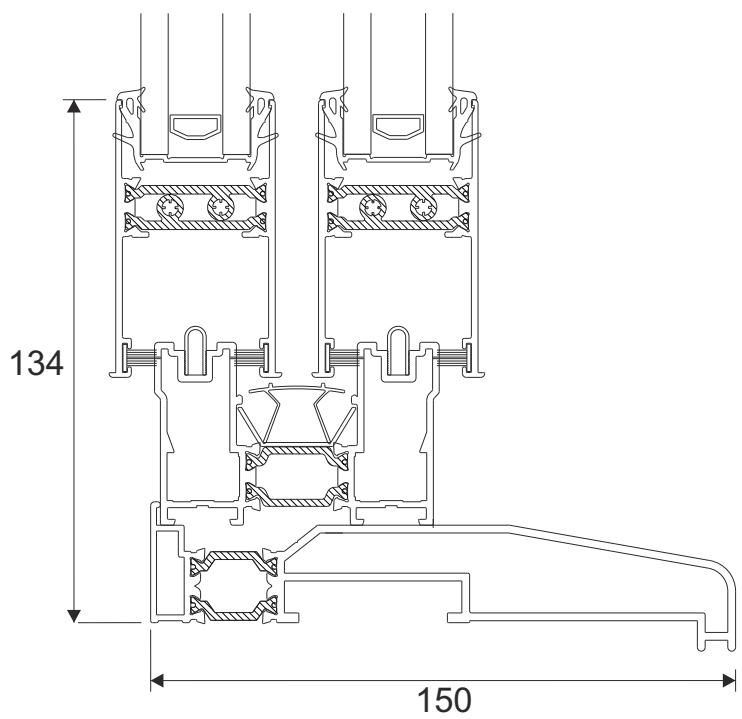
Head



Threshold

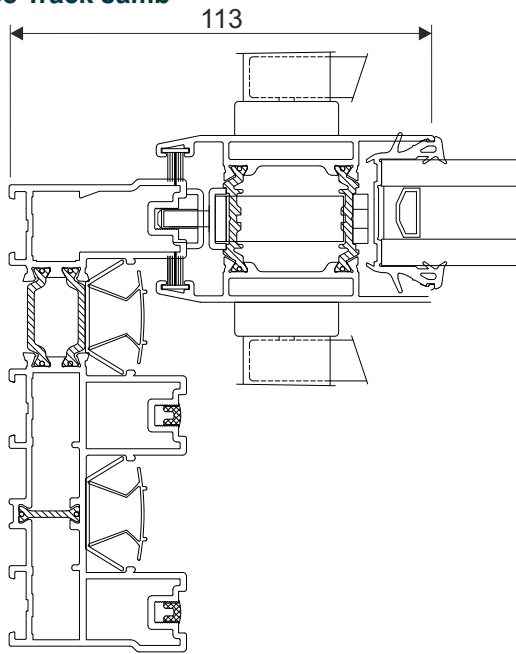


Threshold With 150mm Cill



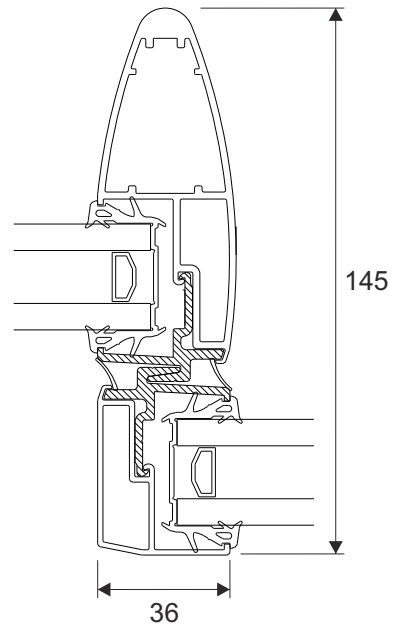
Technical

Three Track Jamb

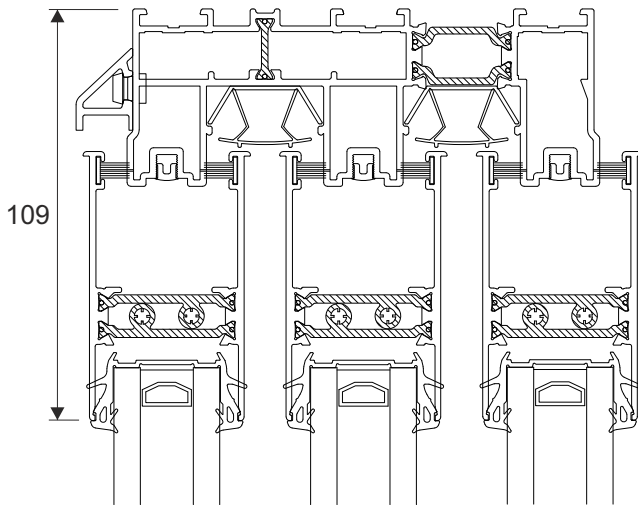


Interlocks - Two and Three Track Doors

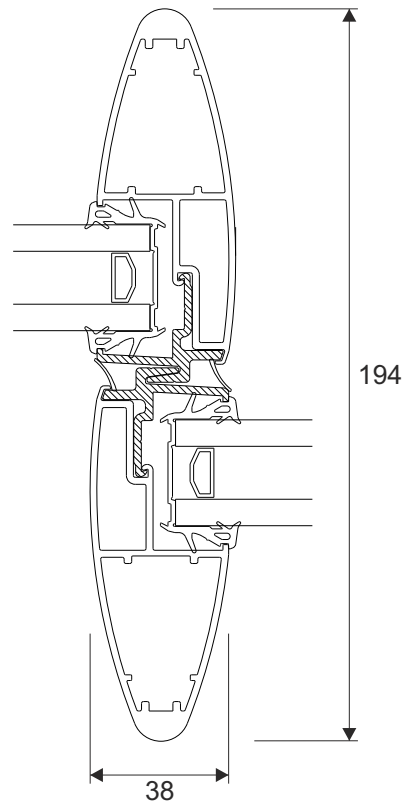
Standard Interlock



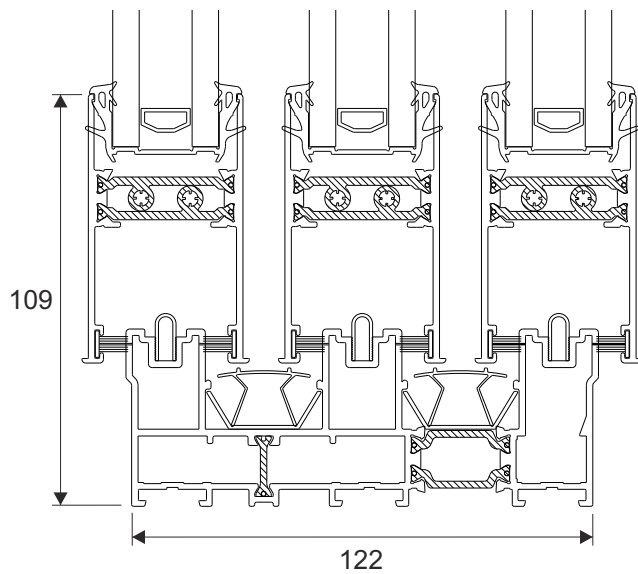
Three Track Head



Heavy Duty Interlock



Three Track Threshold



Main Office & Factory

Units 4-5,
Charfleets Road,
Canvey Island,
Essex. SS8 0PQ

t: 01268 681612 (15 lines)
f: 01268 510058
e: sales@duration.co.uk
w: www.duration.co.uk

Grand Design Exhibition Centre

Unit 1 Casino Parade,
Eastern Esplanade,
Canvey Island,
Essex. SS8 7FJ

t: 01268 695100
SatNav Directions
Use: SS8 7DN.