



Penthouse Patio Doors Section Identification & Site-lines

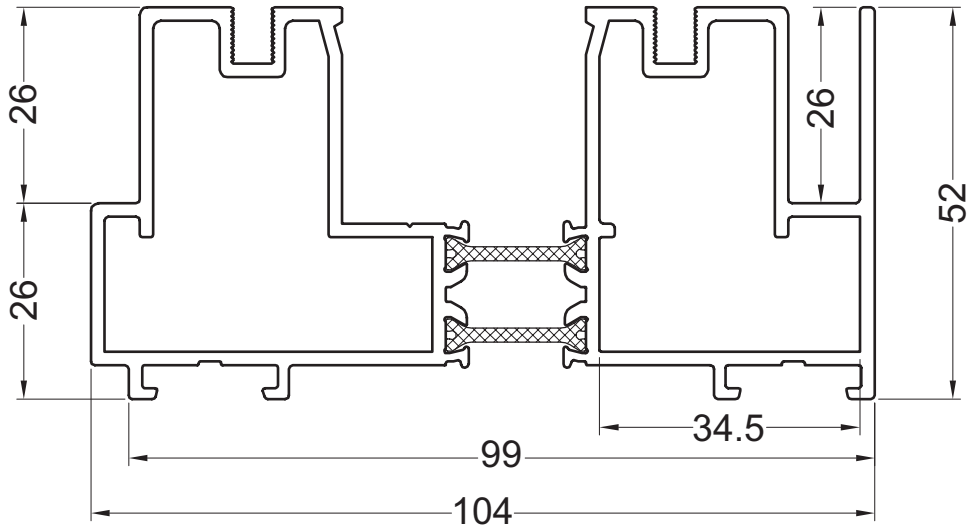
Contents

● Section Identification	Page 2
- Outerframes	Page 2
- Lay Bars	Page 3
- Sliding Panels	Page 3
- Interlockers	Page 4
- Meeting Styles and Add Ons	Page 5
- Glazing Bead	Page 6
- PVC Inserts	Page 7
- Stainless Steel Track	Page 7
- Projection Cill Options	Page 8
● Two Track System; Sections & Sightlines	Page 11
- Jamb Section	Page 12
- Head Section	Page 13
- Bottom Section	Page 14
- Bottom Section Plus Cill	Page 15
- Standard Interlock Section	Page 16
- Heavy Duty Interlock Section	Page 17
- Standard Meeting Stile Section	Page 18
- Heavy Duty Meeting Stile Section	Page 19
- General Arrangement	Page 20
● Three Track System; Sections & Sightlines	Page 22
- Jamb Section	Page 23
- Head Section	Page 24
- Bottom Section	Page 25
- Bottom Section Plus Cill	Page 26
- General Arrangement	Page 27

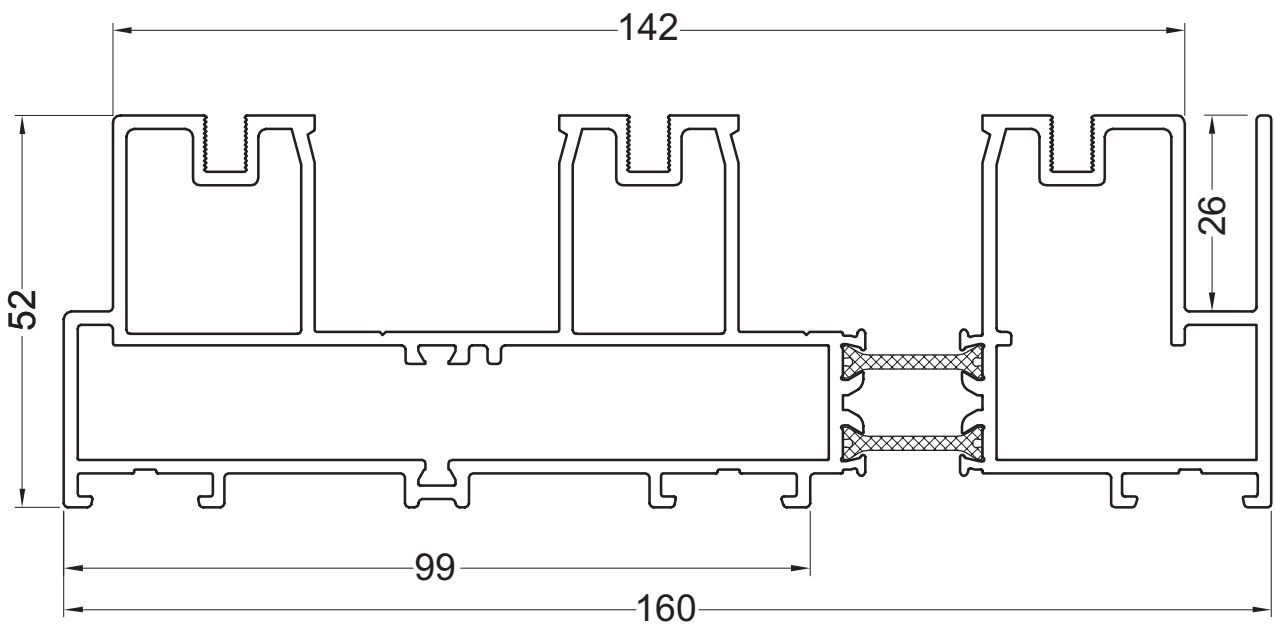


Outer Frames

VG 110 - Two Track System



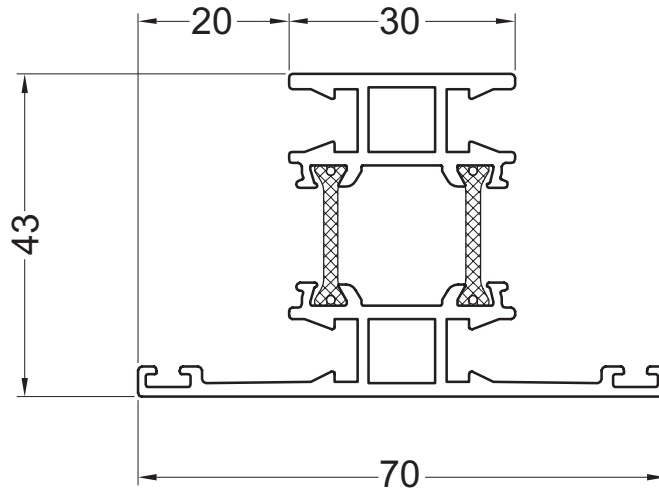
VG 310 - Three Track System





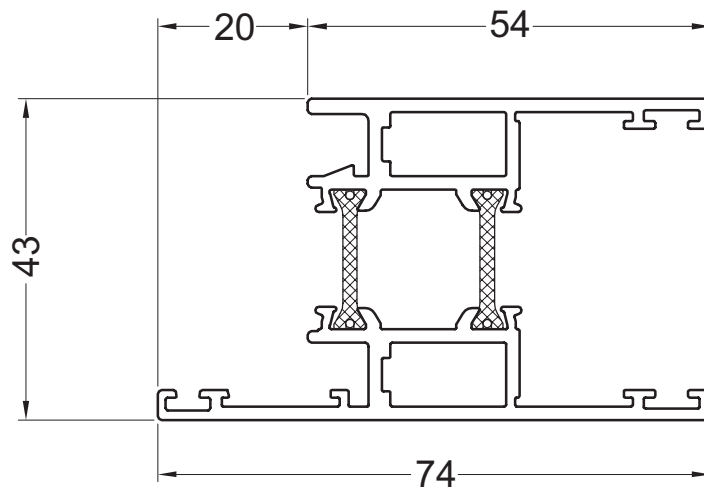
Lay Bar

VG 22



Sliding Panels

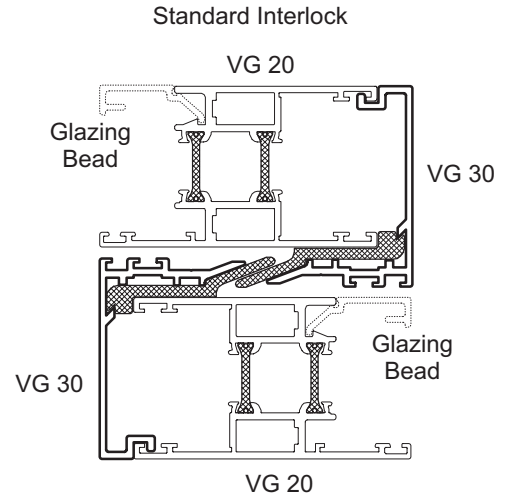
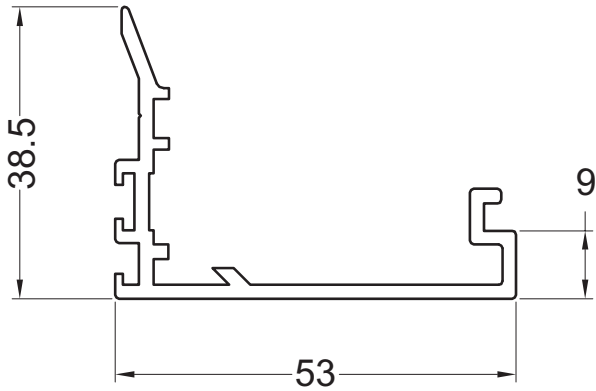
VG 20



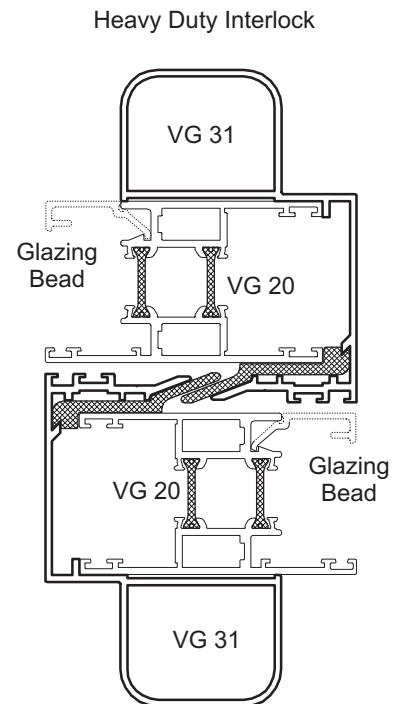
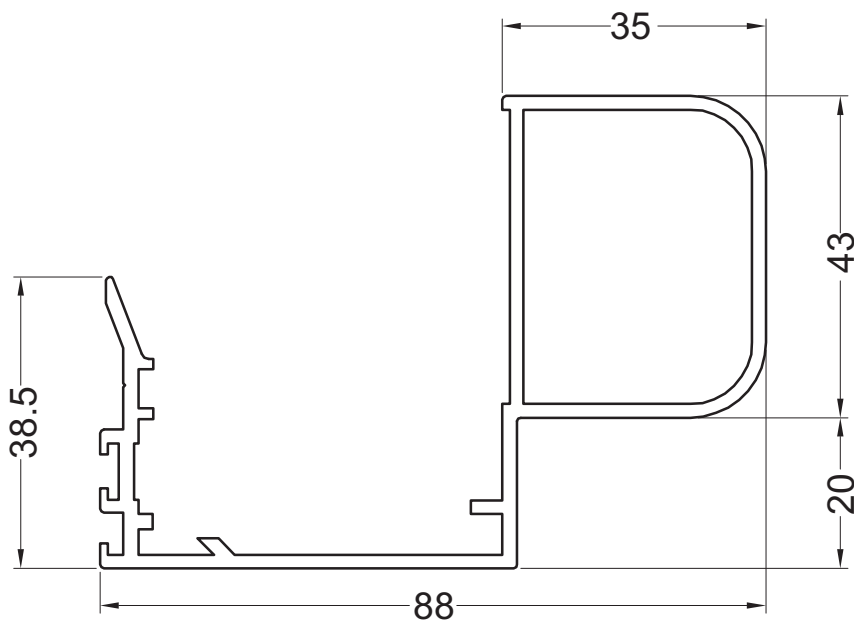


Interlockers

VG 30 - Interlocker



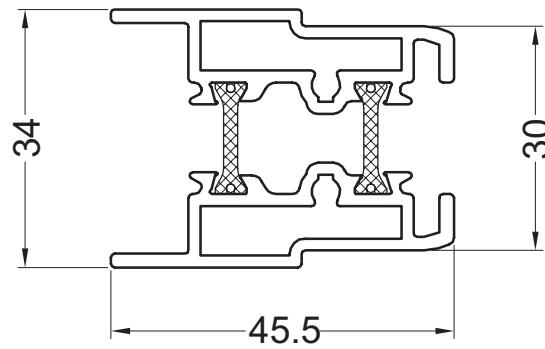
VG 31 - Heavy Duty Interlocker



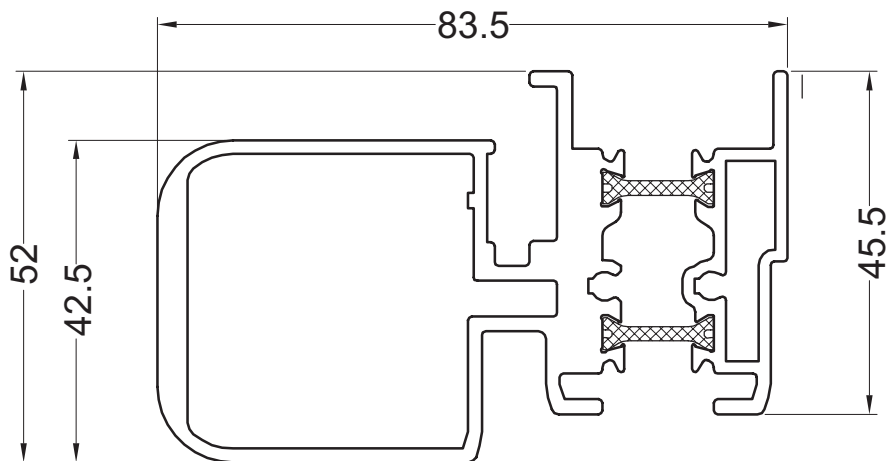


Meeting Siles - Add Ons

VG 21 - Standard Meeting Style



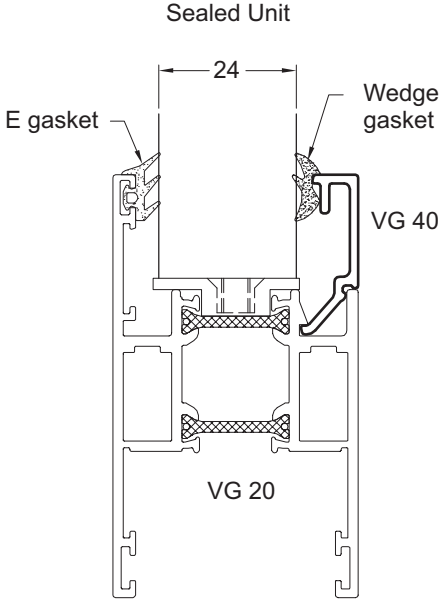
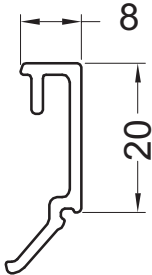
VG 23 - Heavy Duty Meeting Style





Glazing Bead

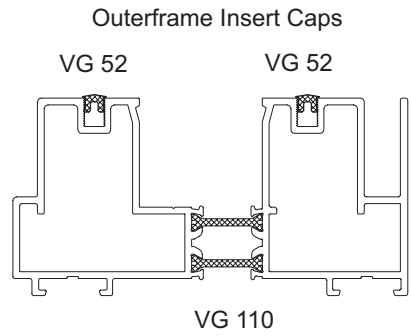
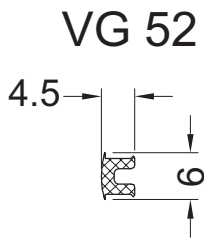
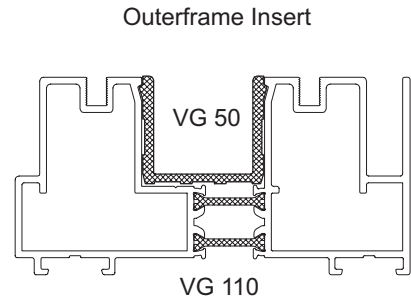
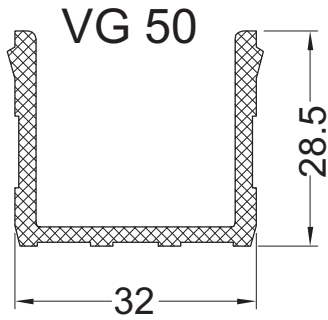
VG 40



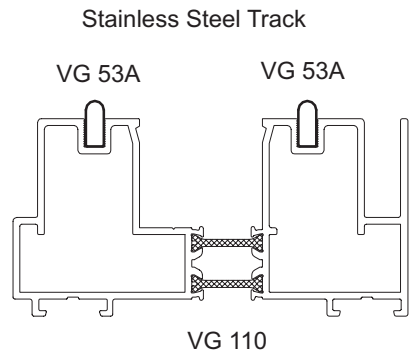
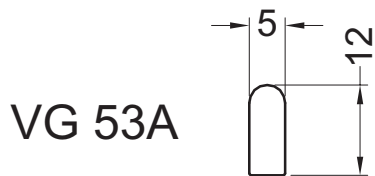
For other sizes of sealed unit please ask our technical department



PVC Inserts



Stainless Steel Track



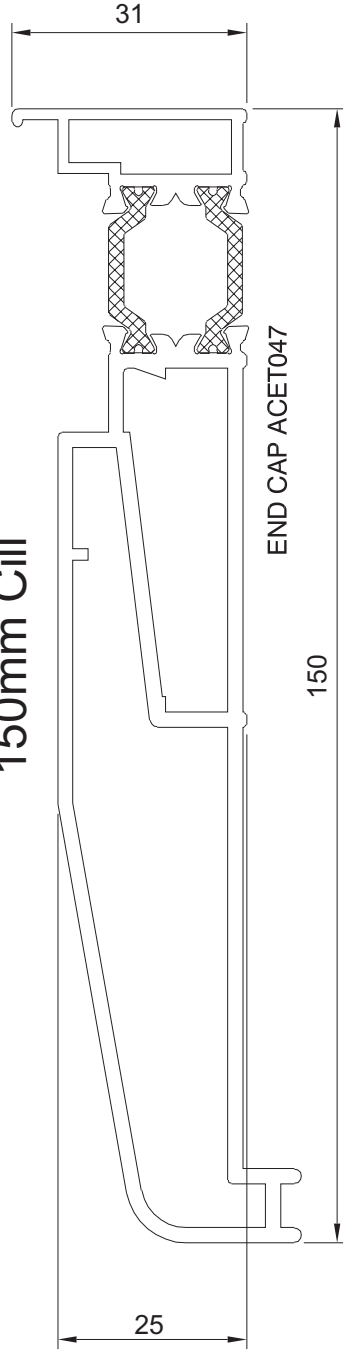
Section Identification



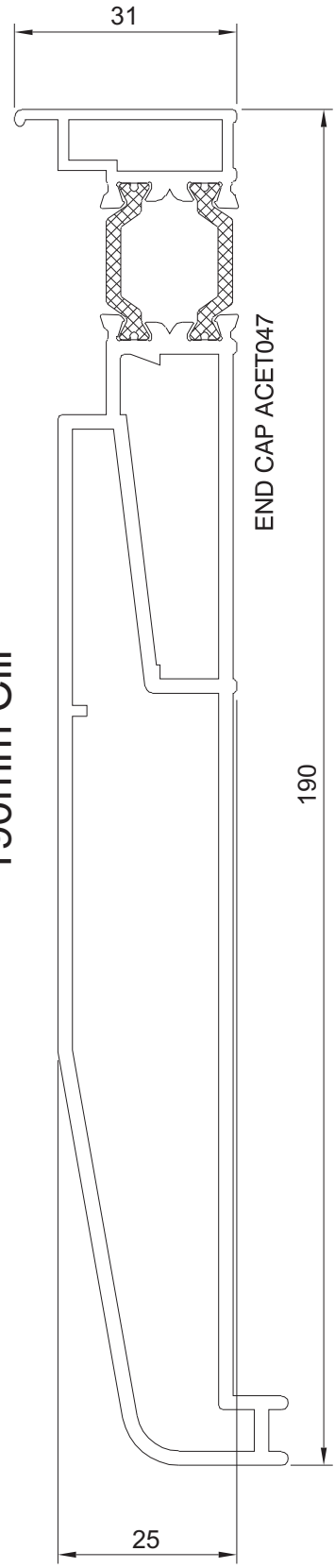
Cill Options

For Two Track System Only

**ETC157
150mm Cill**



**ETC158
190mm Cill**

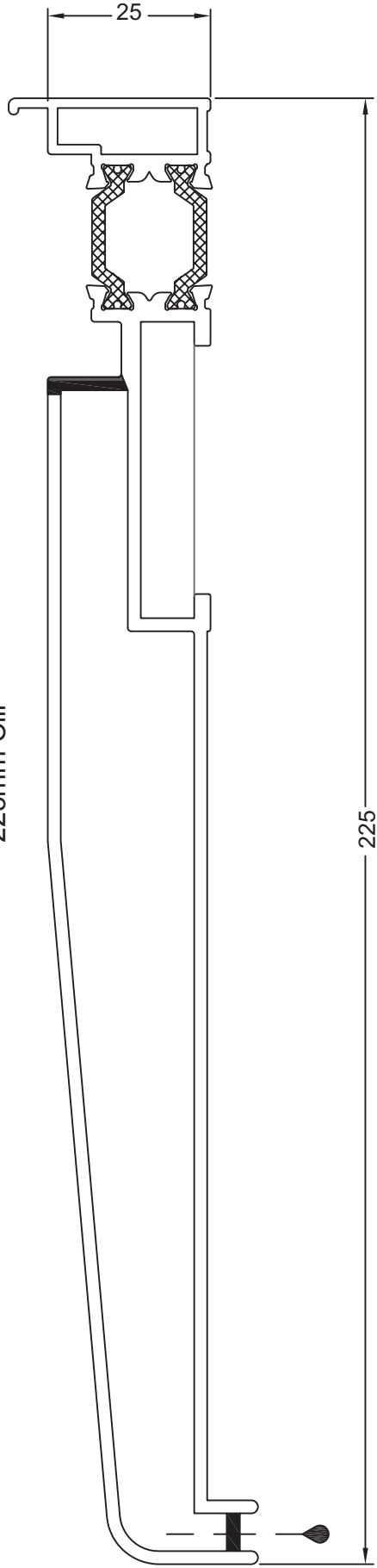


Section Identification



Cill Options

ETC179
225mm Cill



For Two Track And Triple Track Systems



This page has been
intentionally left blank

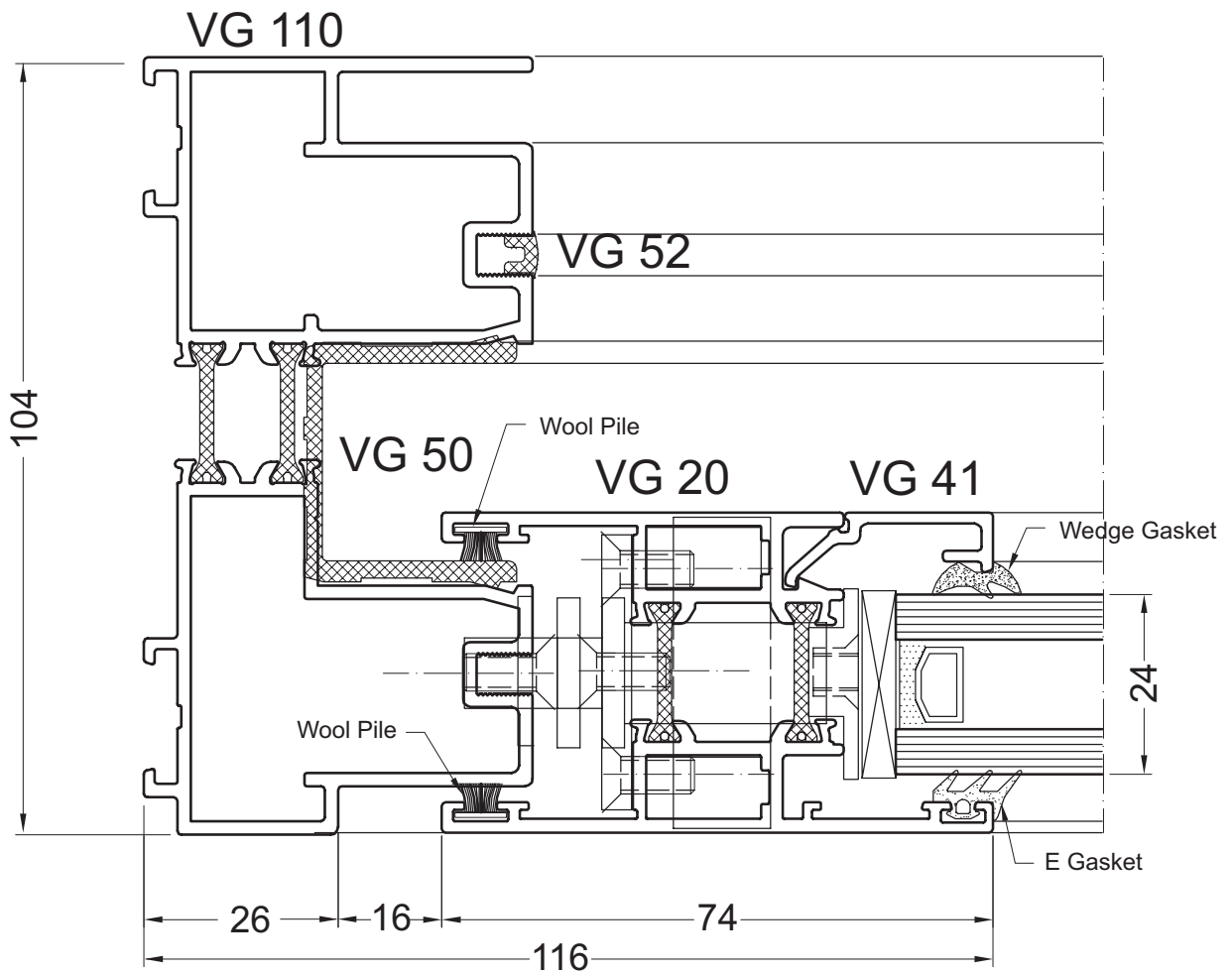
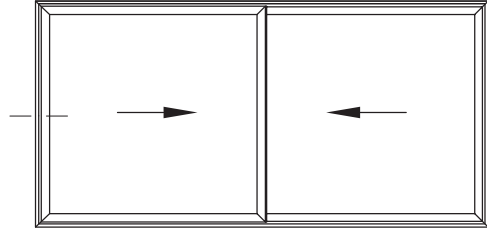


Penthouse Patio Doors Two Track System

Site-lines & Sections

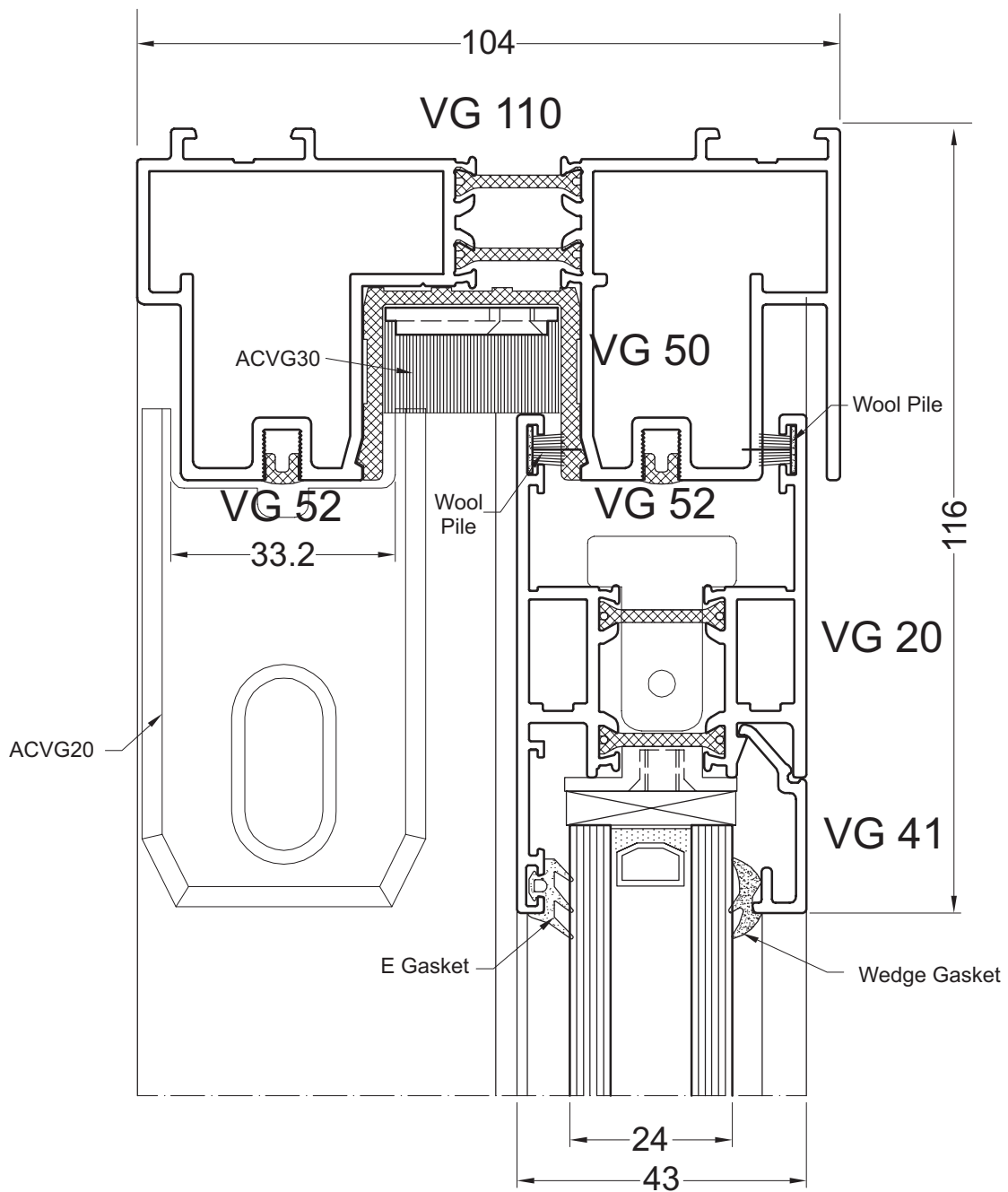
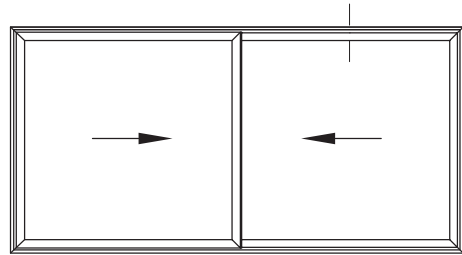


Jamb Section



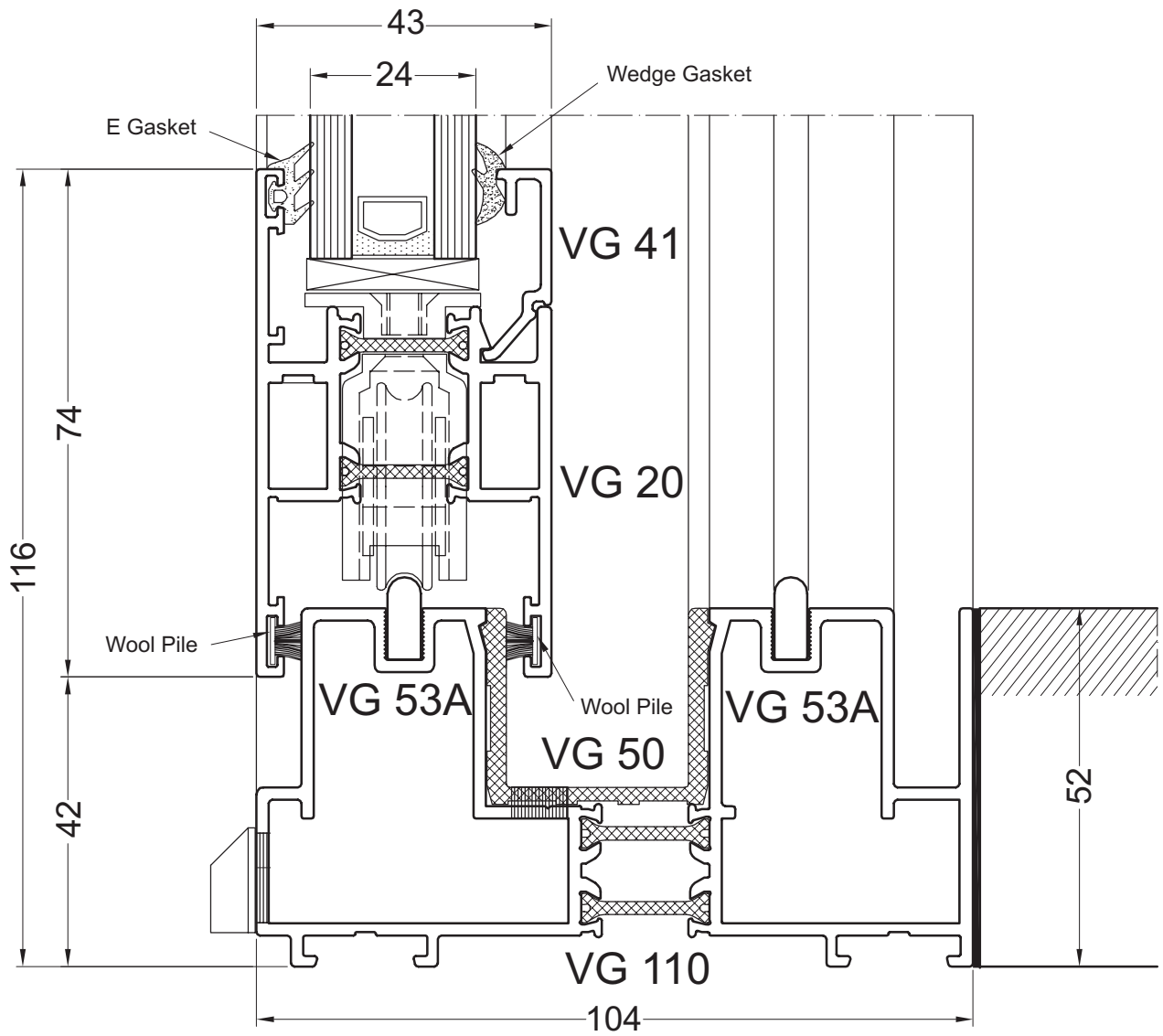
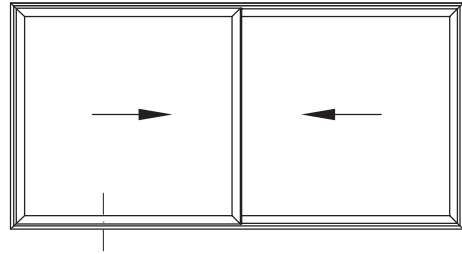


Head Section





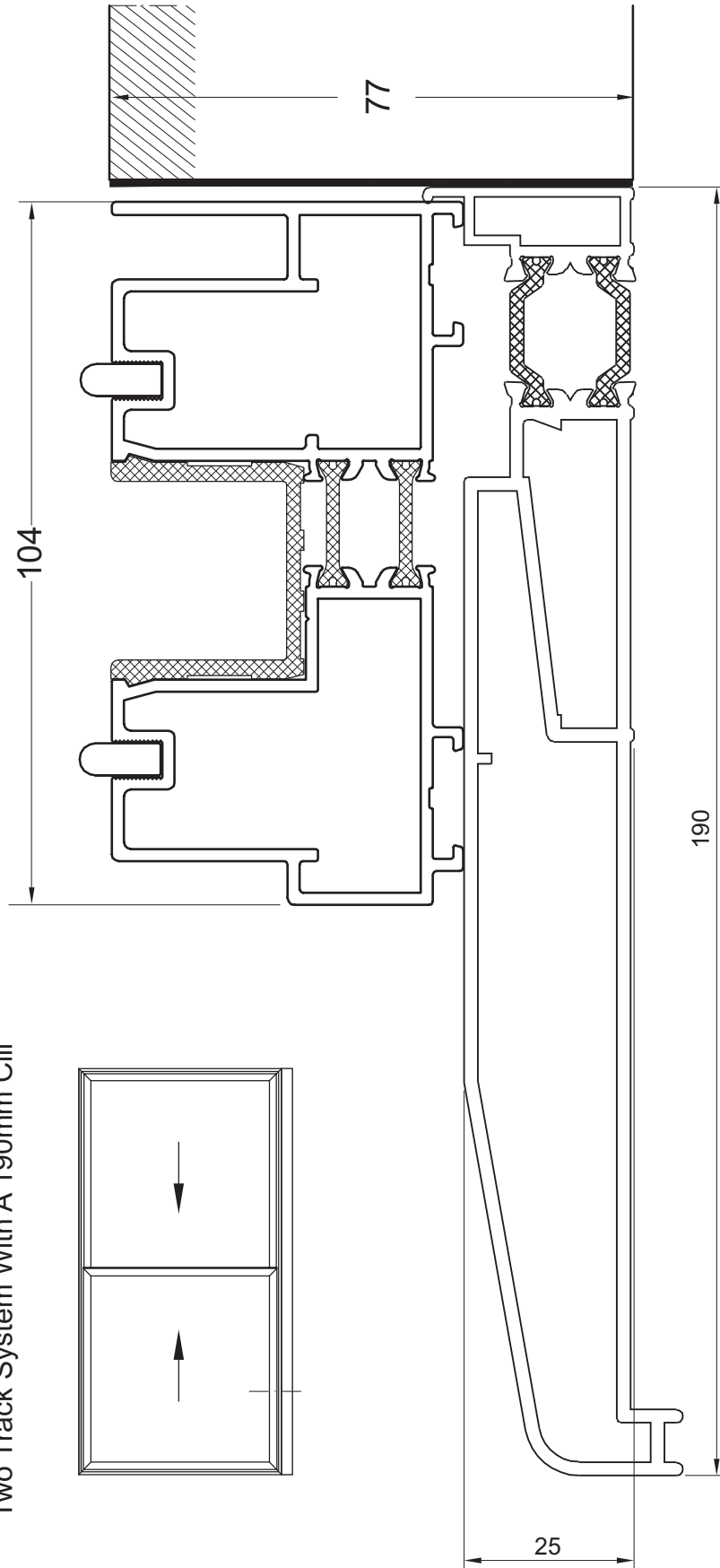
Bottom Section



Section Identification

Bottom With Projection Cill

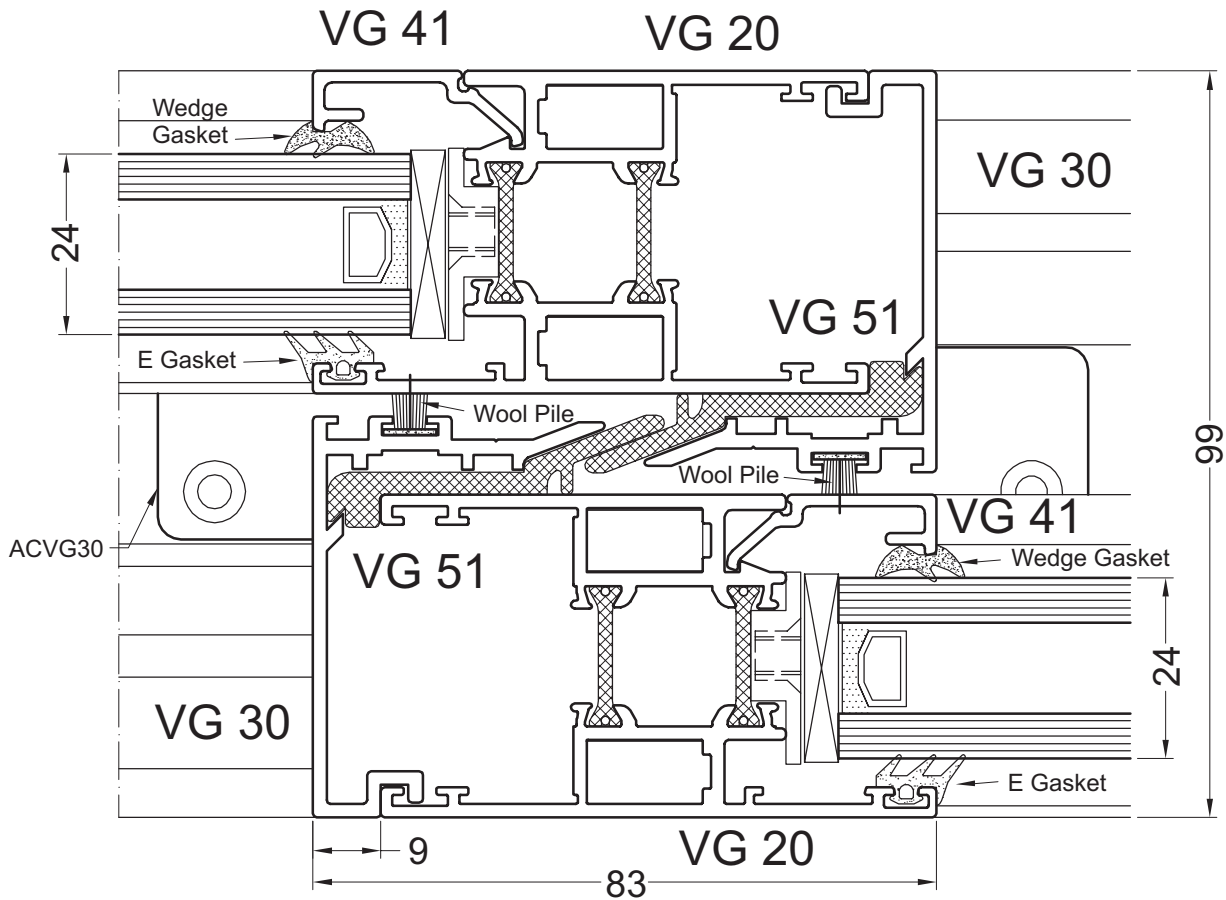
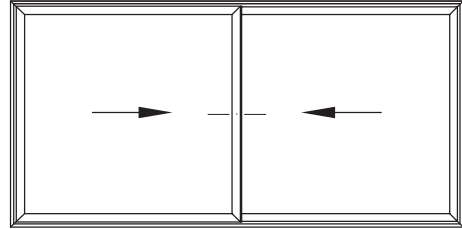
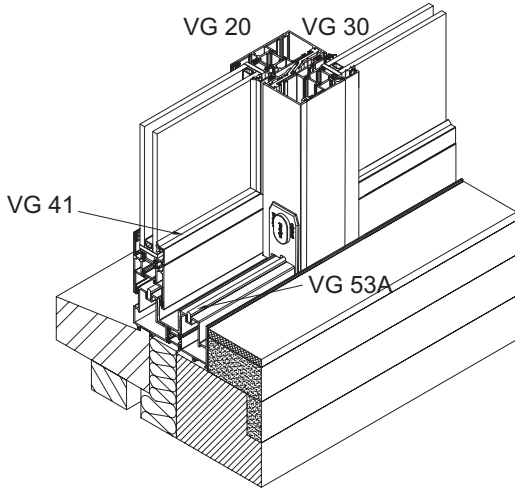
VG 110 + ETC158
Two Track System With A 190mm Cill



Showing Floor Levels - Maximum amount you can drop it into the floor



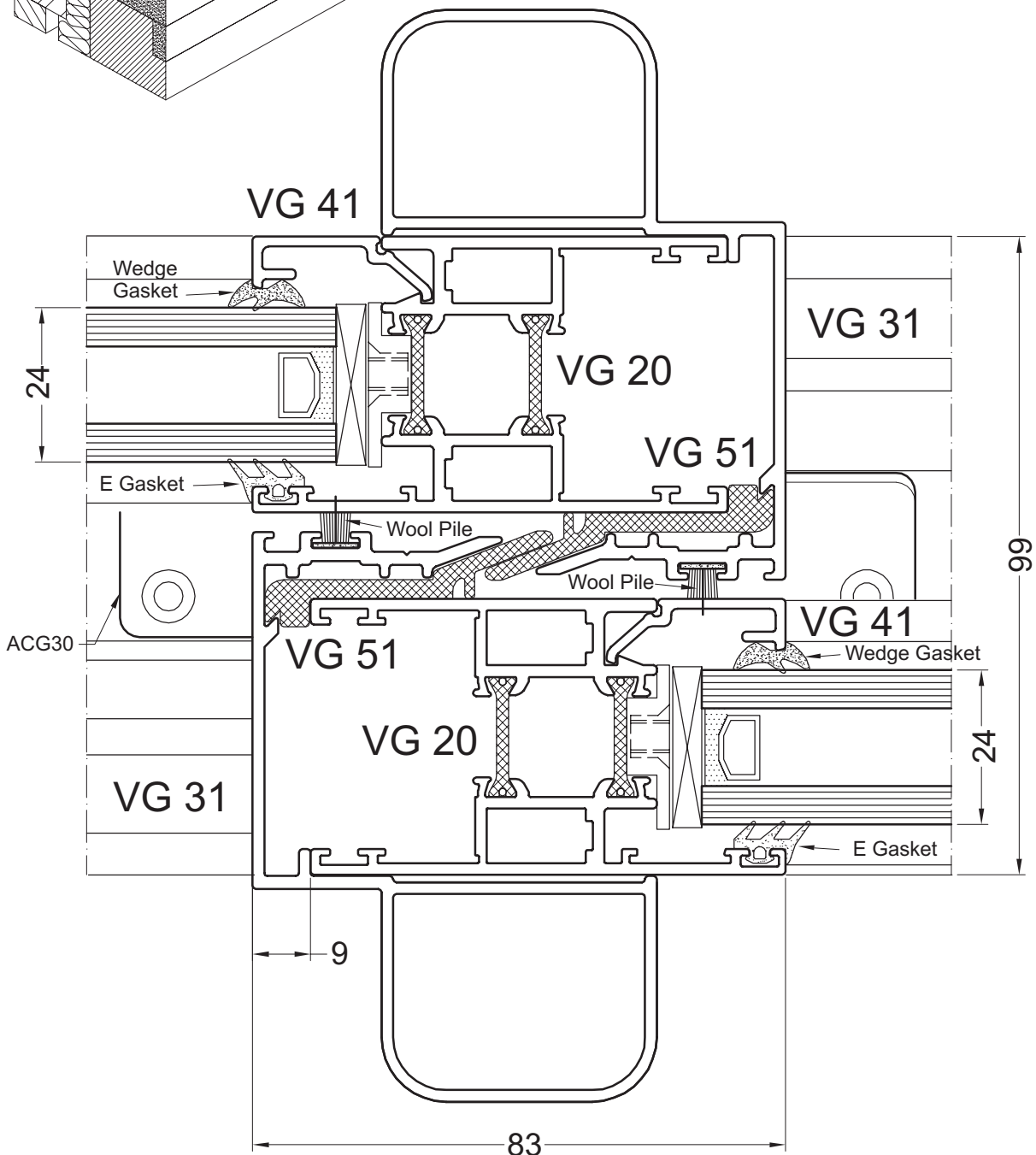
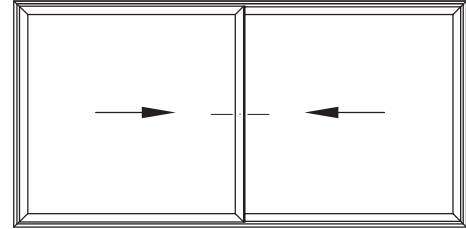
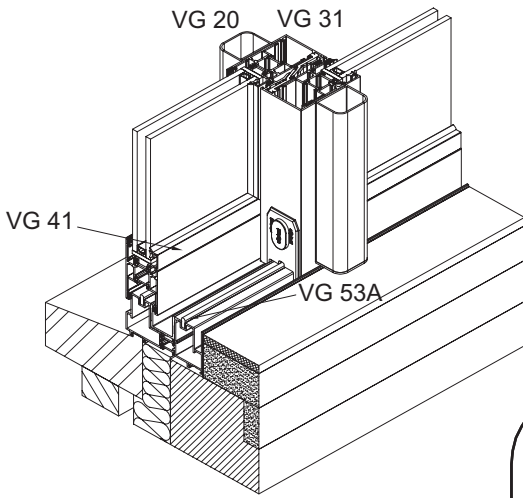
Standard Interlock



Please Note:
Interlocks & meeting styles are identical for our 2 track and our 3 track system. Please ask our technical department for more info.



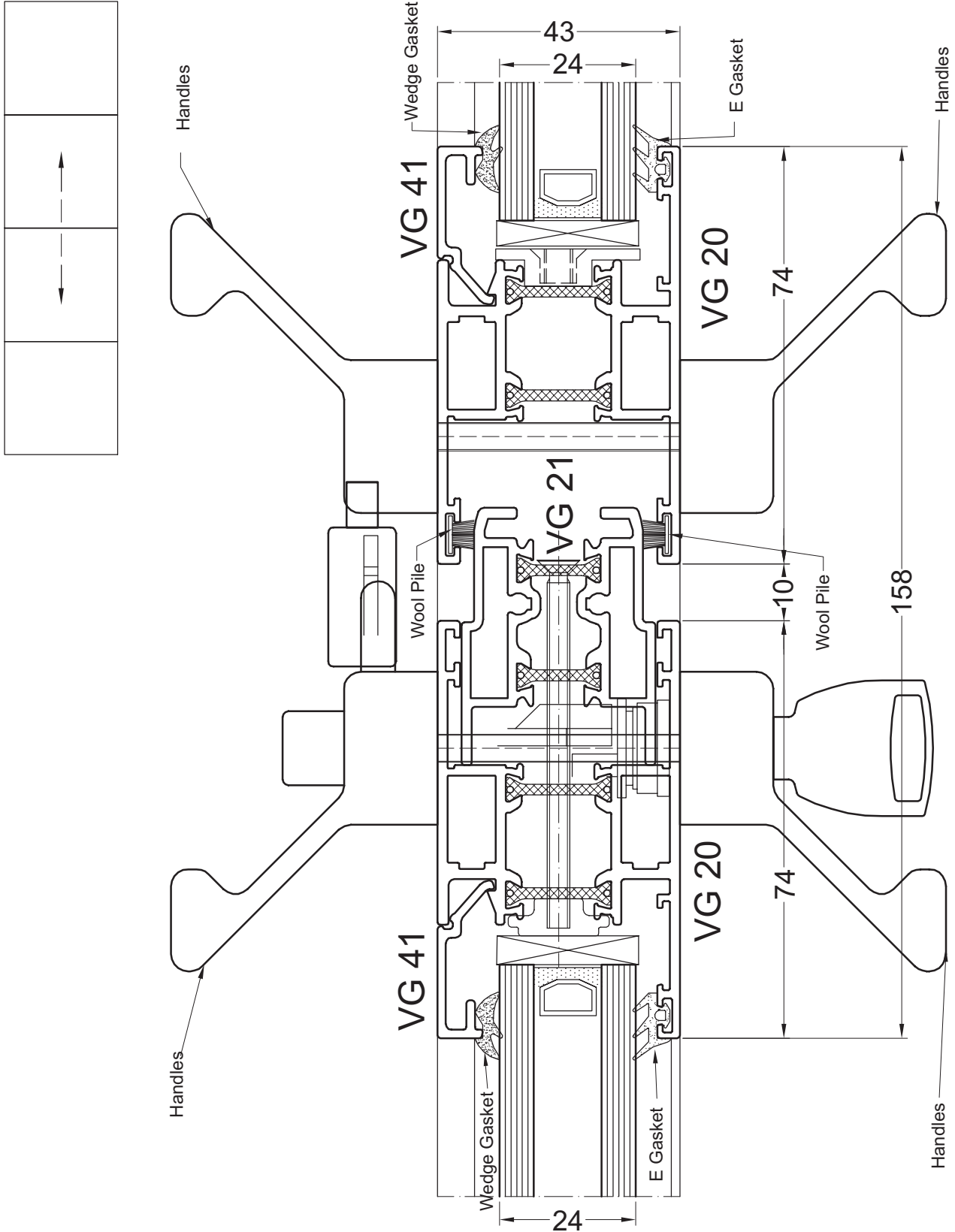
Heavy Duty Interlock



Please Note:
Interlocks & meeting styles are identical for our 2 track and our 3 track system. Please ask our technical department for more info.



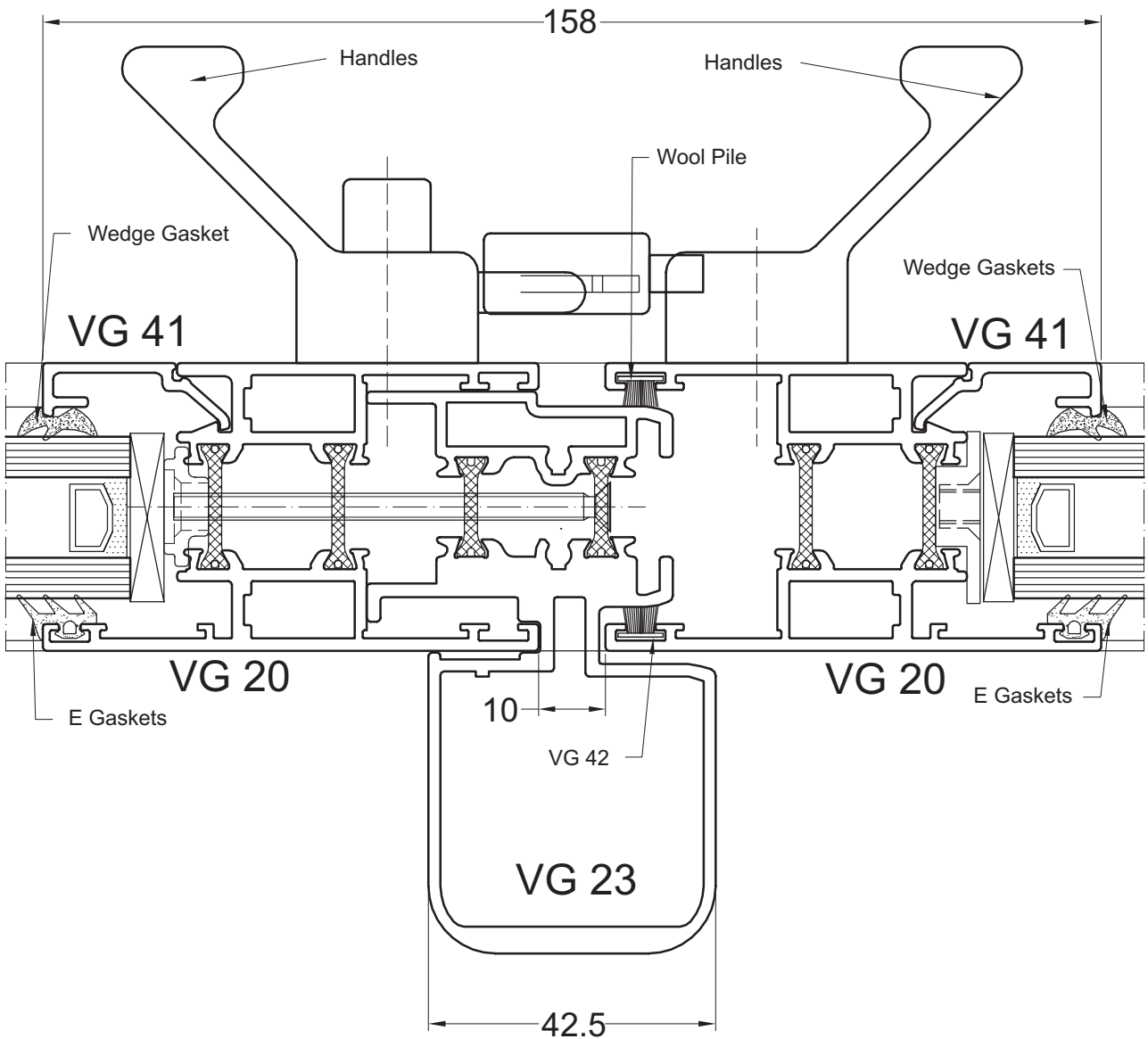
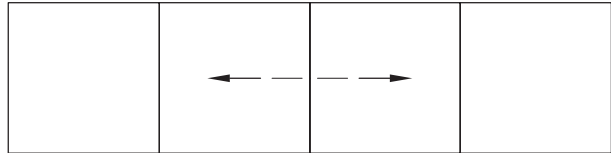
Standard Meeting Stile



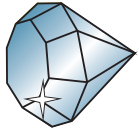
Please Note:
Interlocks & meeting styles are identical for our 2 track and our 3 track system. Please ask our technical department for more info.



Heavy Duty Meeting Stiles



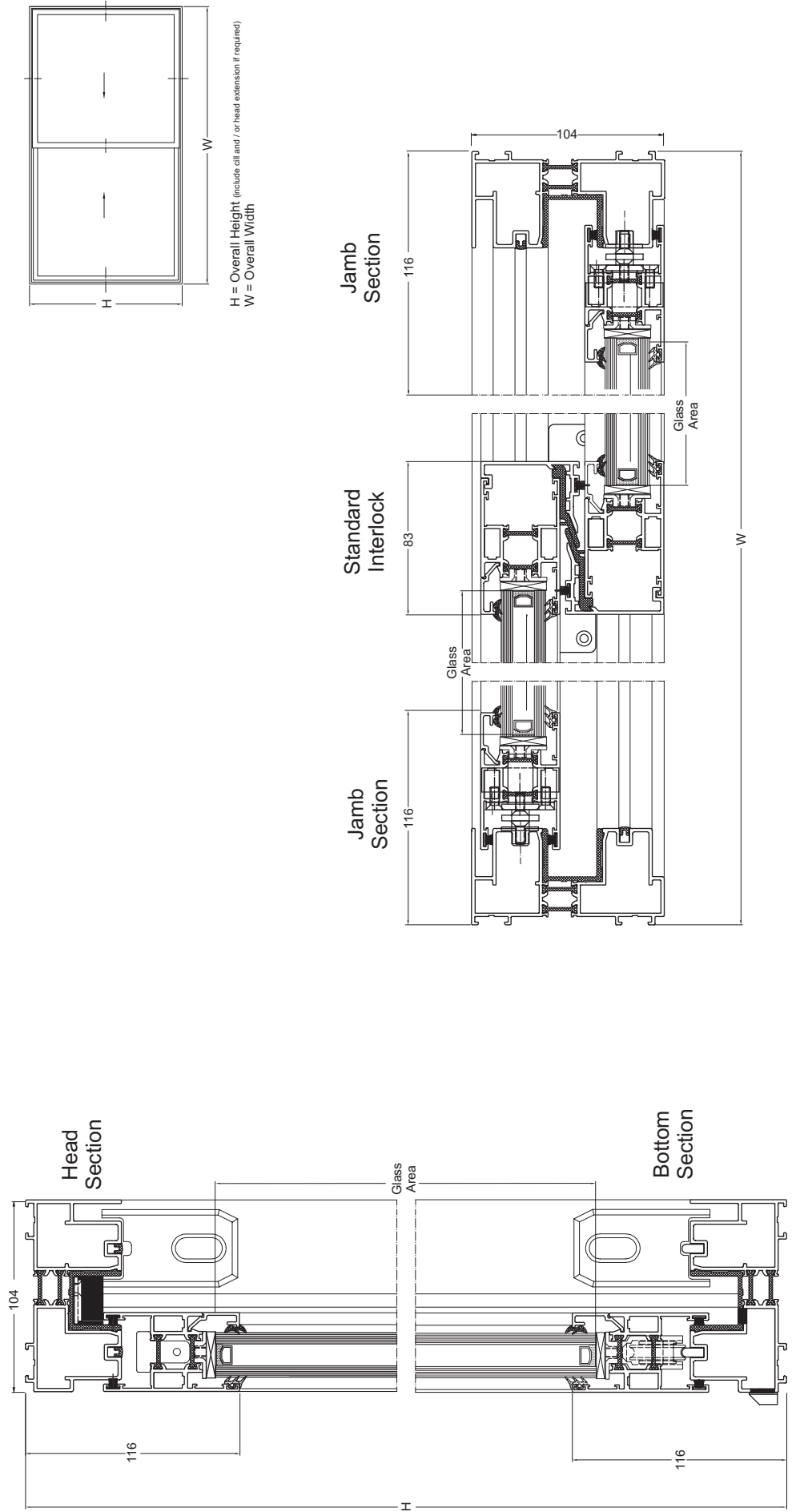
Please Note:
Interlocks & meeting styles are identical for our 2 track and our 3 track system. Please ask our technical department for more info.



DURATION
WINDOWS

Section Identification

Two Track System - General Arrangement - Using Standard Interlock





This page has been
intentionally left blank



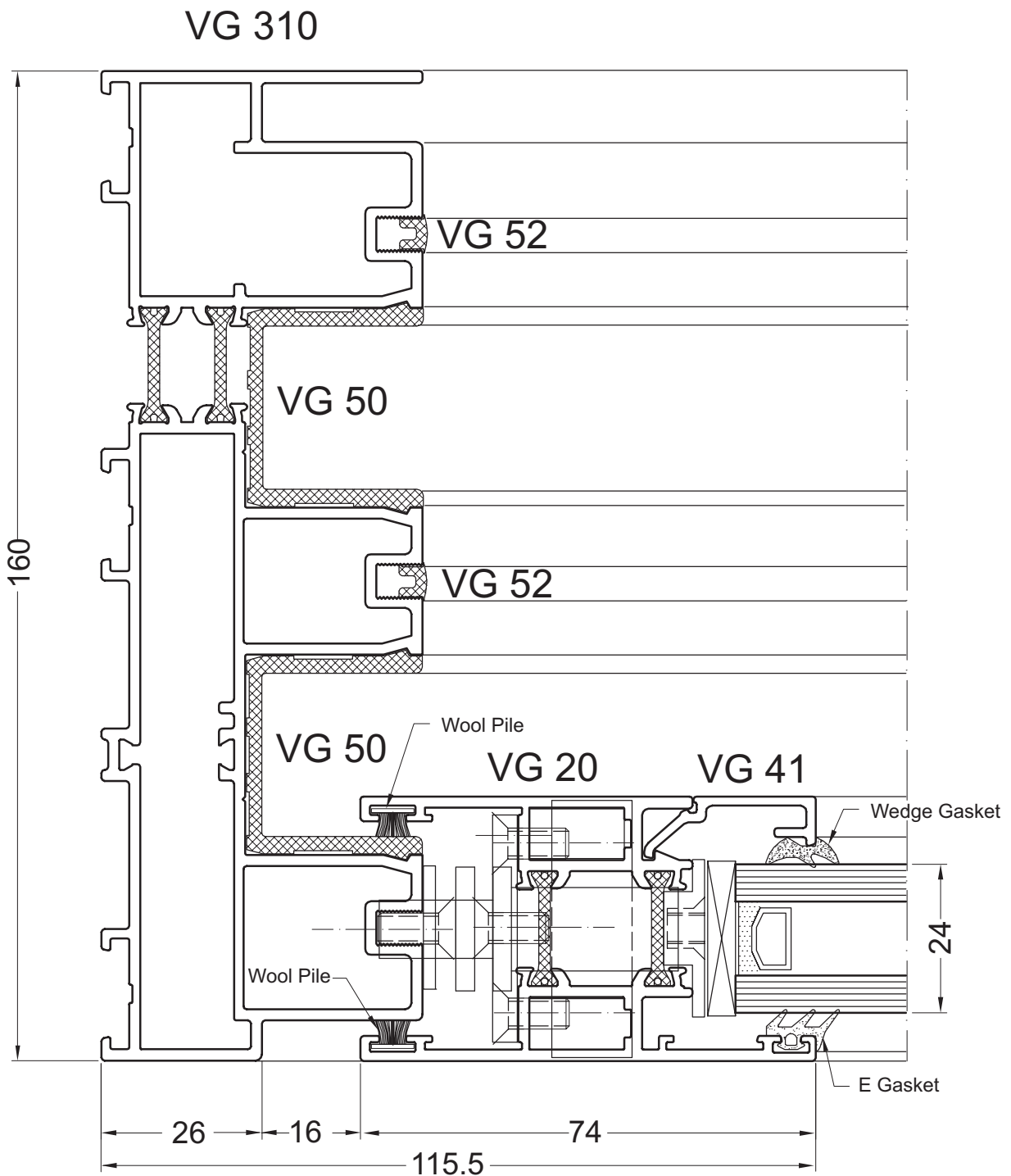
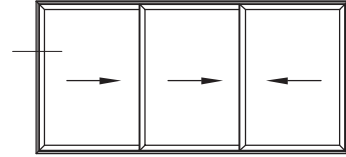
Penthouse Patio Doors Three Track System

Site-lines & Sections

Please Note:
Interlocks and meeting styles are identical for our two track and our three track. Please ask our technical department for more information.

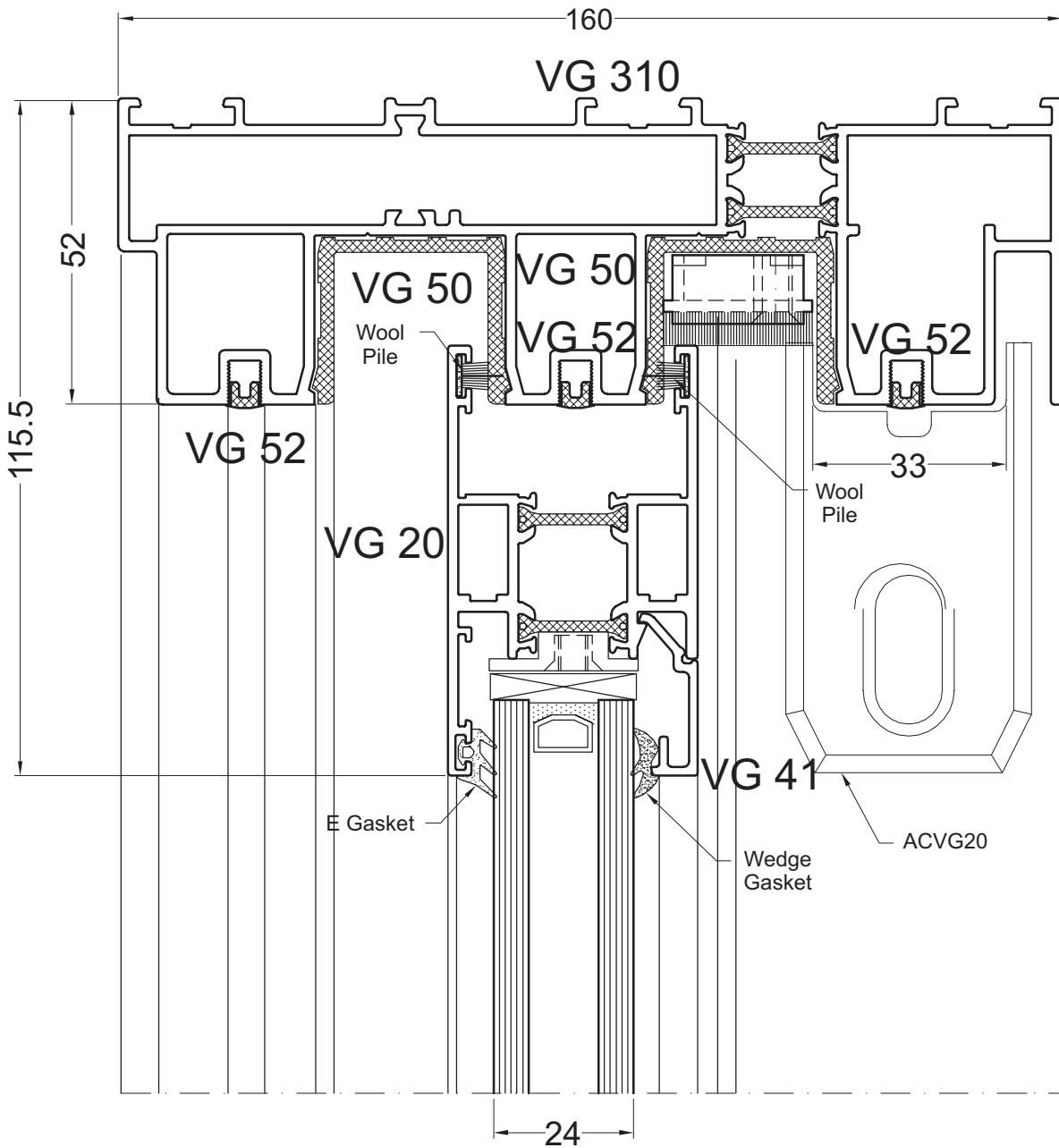
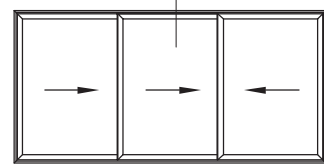


Jamb Section



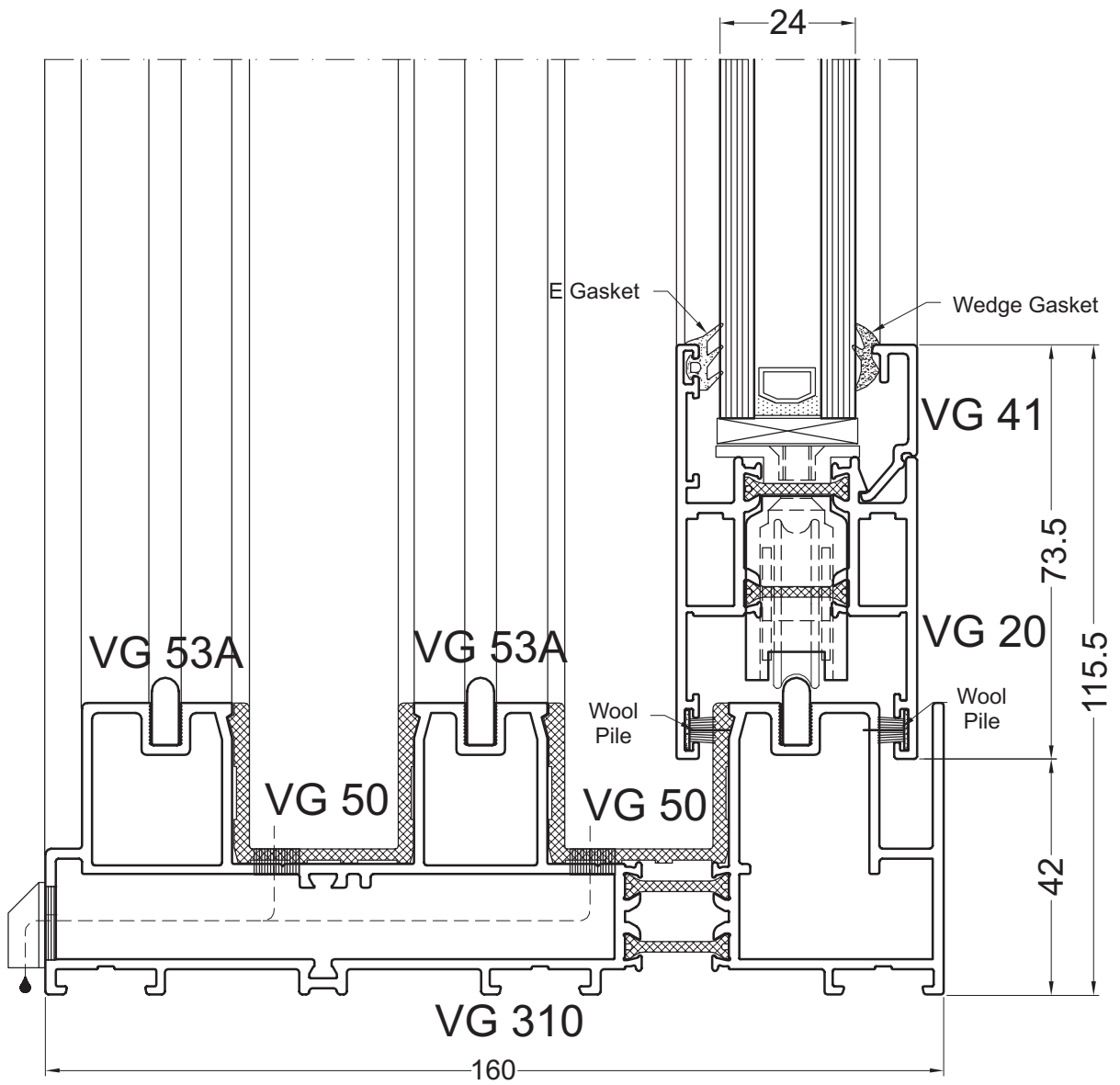
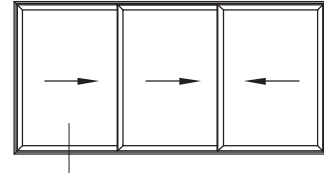


Head Section





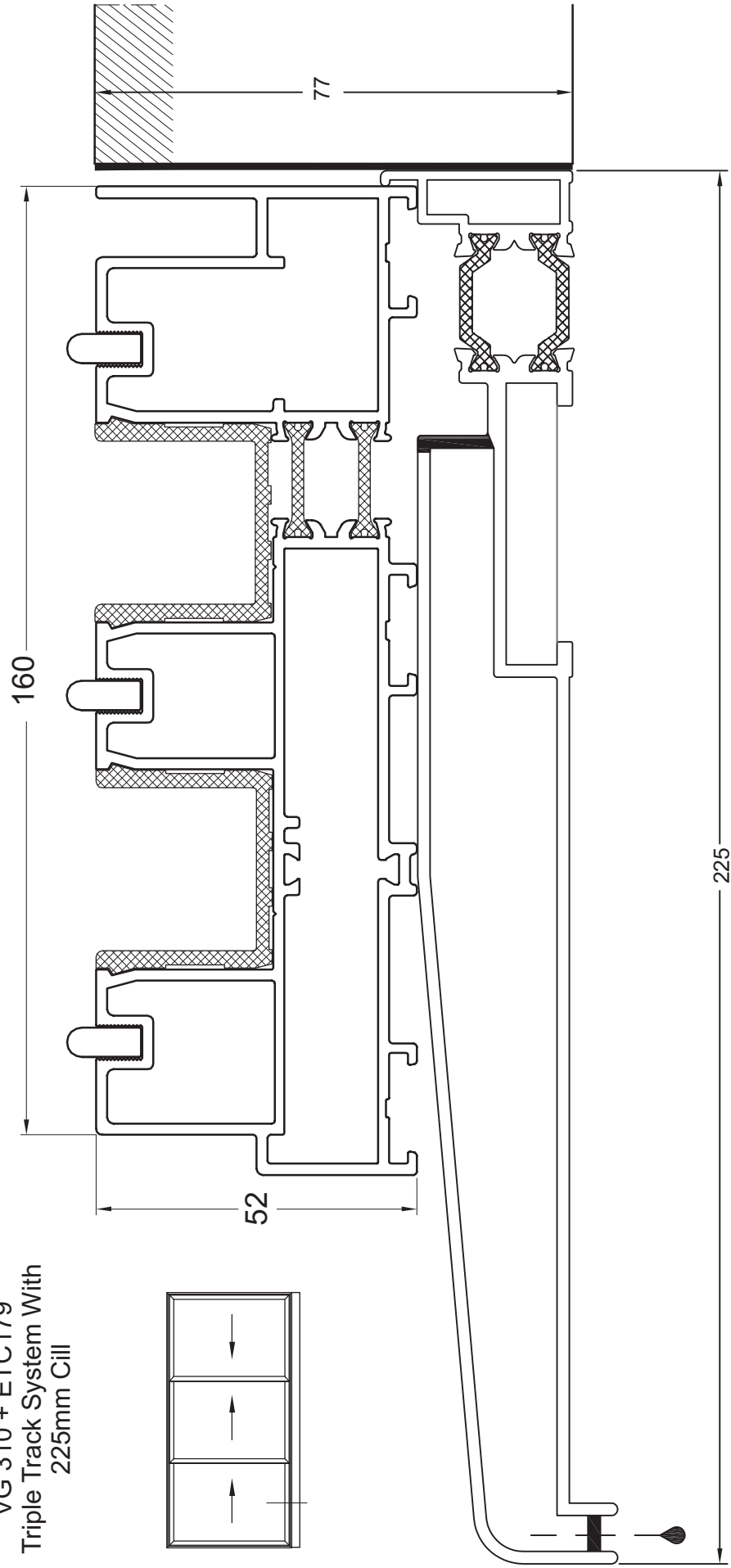
Bottom Section

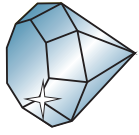


Section Identification

Bottom With Projection Cill

VG 310 + ETC179
Triple Track System With
225mm Cill

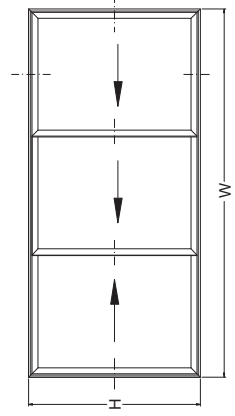
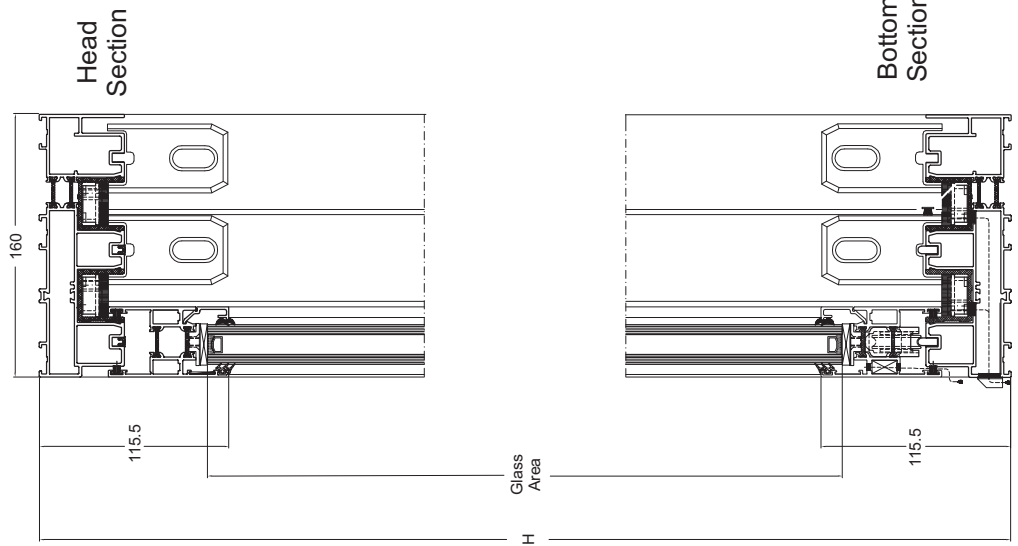




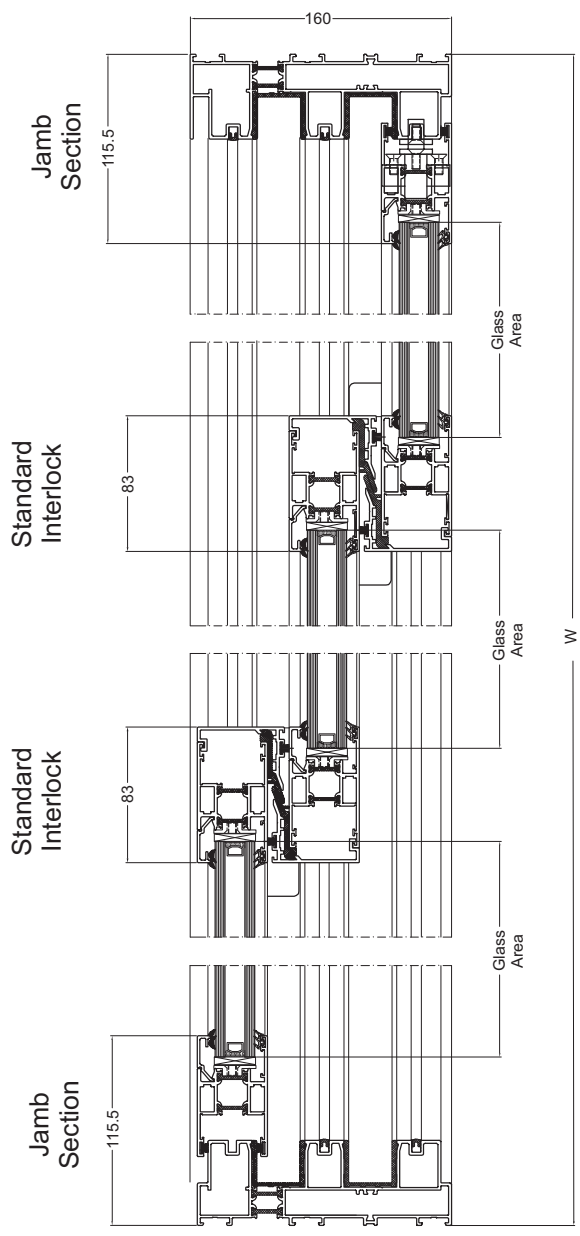
DURATION
WINDOWS

Section Identification

Three Track System - General Arrangement - Using Standard Interlock



H = Overall Height (include sill and/or head extension if required)
W = Overall Width



Section Identification



**DURATION
WINDOWS**

Manufacturing quality Aluminium Products Since 1985

Back Page

Units 4 -5
Charfleets Road,
Canvey Island,
Essex, SS8 0PQ

T: 01268 681612
F: 01268 510058
E: sales@duration.co.uk
W: www.duration.co.uk