



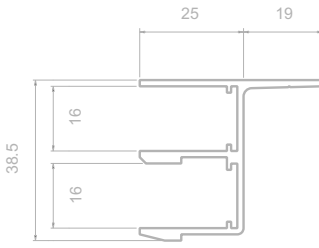
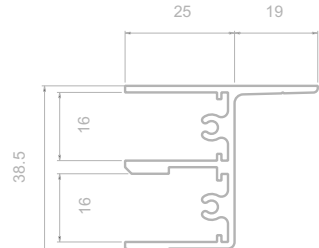
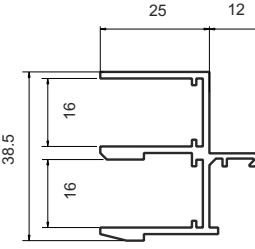
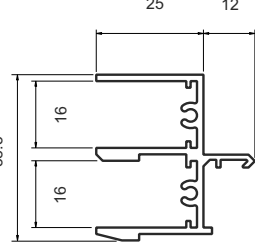
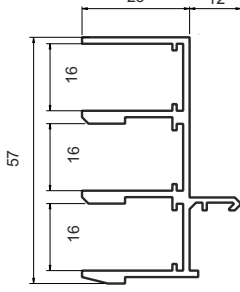
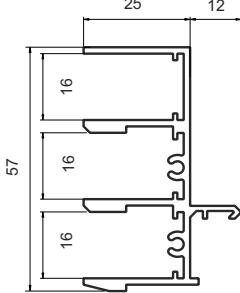
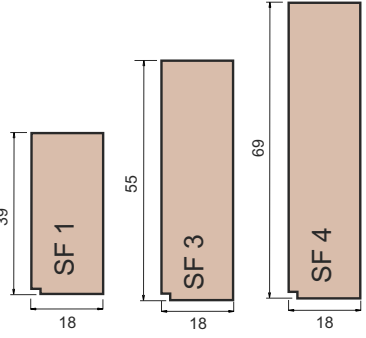
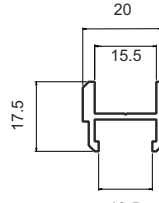
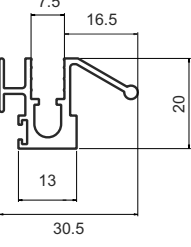
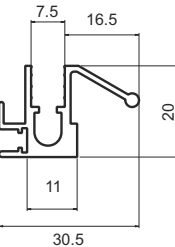
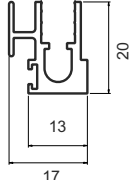
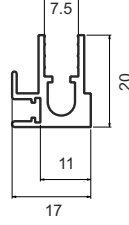
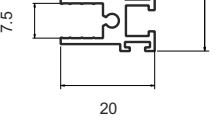
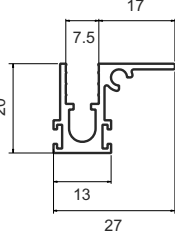
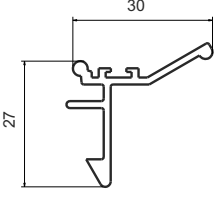

DURATION WINDOWS

Horizontal Sliding Secondary Glazing Luxury Subframe System Section Identification

Contents

- Section Identification Overview Page 2
- Outerframes Page 3
- Sliding Panels Page 5
- Non-Aluminium Parts Page 7
- Two Pane Horizontal Slider Page 8
- Three Pane Horizontal Slider Page 10
- Triple Track Three Pane Horizontal Slider Page 14
- Four Pane Horizontal Slider Page 18
- Five Pane Horizontal Slider Page 22

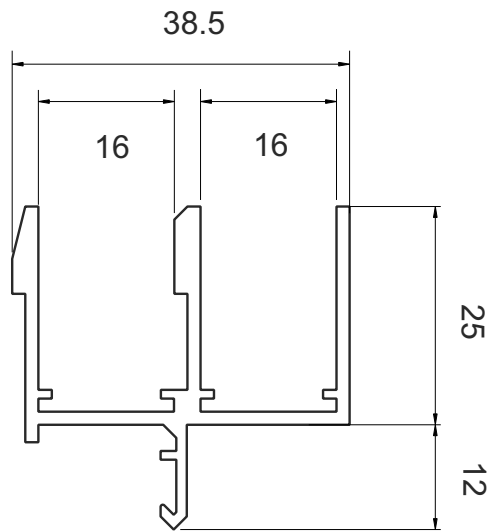
Overview

<p>Economy Outerframe</p> <p>SG 91 Odd Leg Outerframe no screw ports</p>  <p>SG 92 Odd Leg Outerframe with screw ports</p> 	<p>Subframe Outerframe</p> <p>SG 52 Subframe Fix Outerframe no screw ports</p>  <p>SG 53 Subframe Fix Outerframe with screw ports</p> 	<p>Triple Track Outerframe</p> <p>SG 85 Subframe Fix Outerframe no screw ports</p>  <p>SG 86 Subframe Fix Outerframe with screw ports</p> 
<p>Non-Aluminium Parts</p> <p>SG 55 PVCU Track</p>  <p>SF 1</p> <p>SF 3</p> <p>SF 4</p> <p>Wooden Suframe</p>	<p>Sliding Panel Frame Interlocks</p> <p>SG 58 Meeting Stile Interlock</p>  <p>SG 59 Interlock with handrail</p>  <p>SG 61 Interlock with handrail</p>  <p>SG 60 Interlock</p>  <p>SG 62 Interlock</p> 	
<p>Sliding Panel Frame & Locking Catch</p> <p>SG 64 Sliding panel horizontals</p>  <p>SG 71 Sliding Panel handle section with handrail</p>  <p>SG 57 Sprung loaded finger latch</p>  <p>Nylon Skids</p> 		

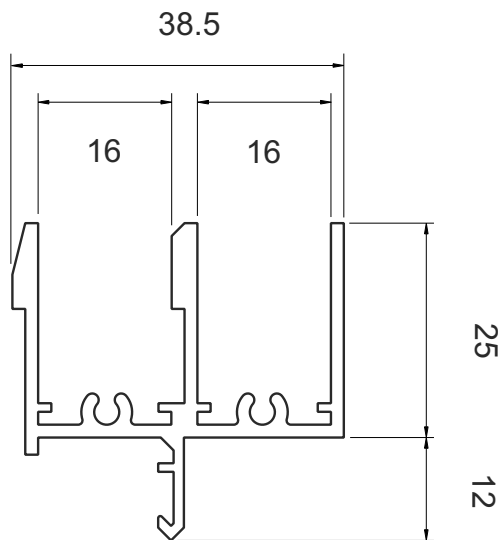


Two Track Outerframe

SG 52
Subframe Fix Outerframe
no screw ports



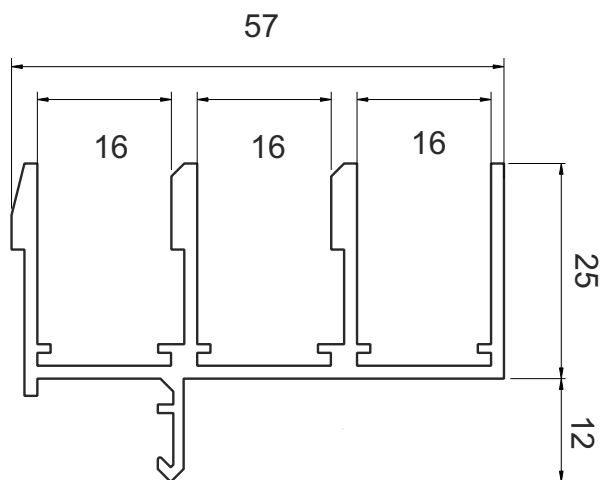
SG 53
Subframe Fix Outerframe
with screw ports



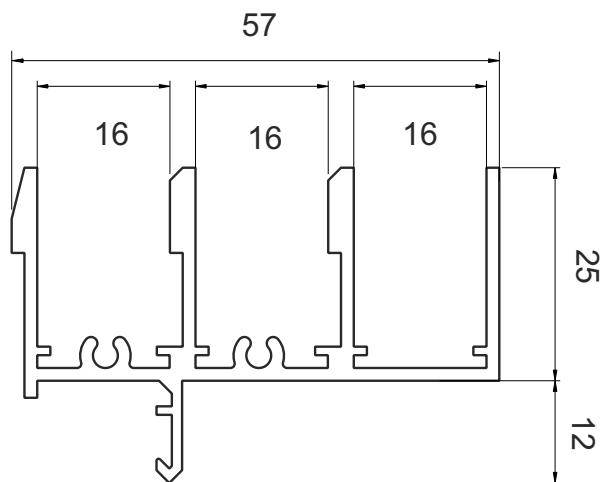


Triple Track Outerframe

SG 85
Subframe Fix Outerframe
no screw ports



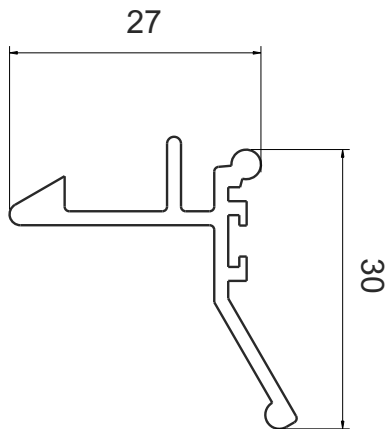
SG 86
Subframe Fix Outerframe
with screw ports



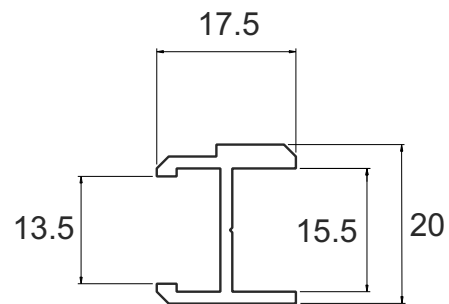


Sliding panels

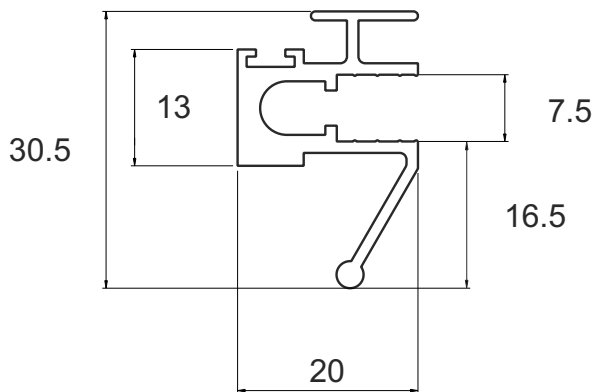
SG 57
Sprung loaded
finger latch



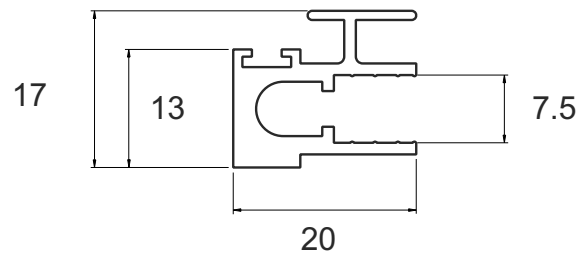
SG 58
Meeting Stile
Interlock



SG 59
Interlock
with handrail



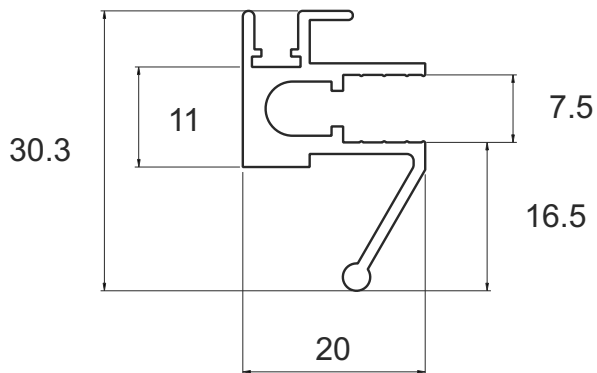
SG 60
Interlock



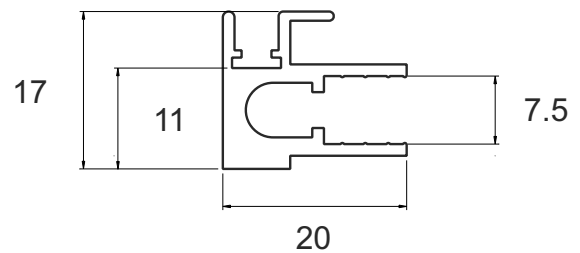


Sliding panels

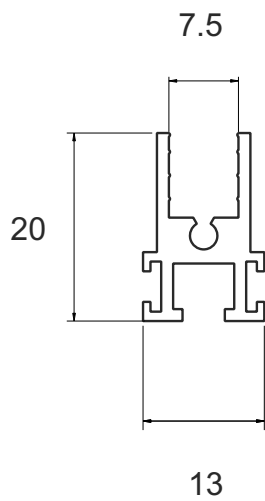
SG 61
Interlock
with handrail



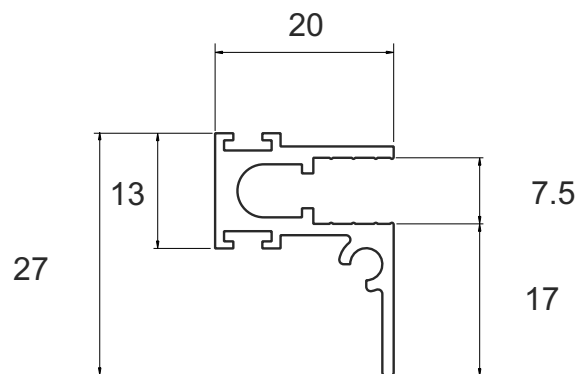
SG 62
Interlock



SG 64
Sliding panel
horizontal



SG 71
Sliding Panel
handle section
with handrail

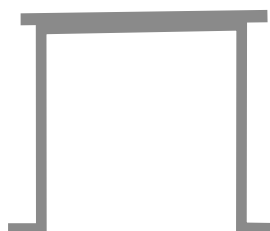




Non-Aluminium Parts

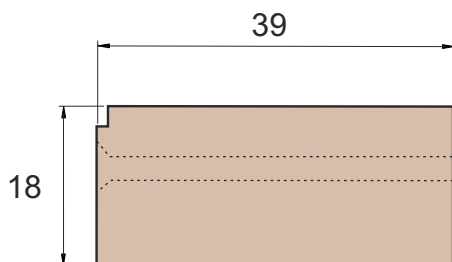
SG 55
PVCU Track

Nylon Skids



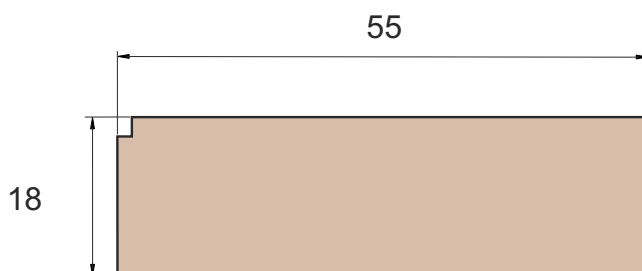
Wooden Subframes

SF 1



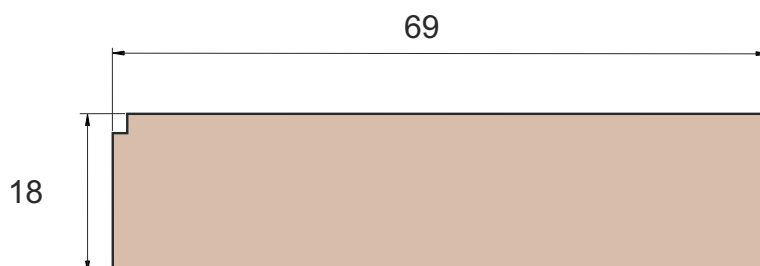
SF1 comes with pre-drilled fixing holes as standard

SF 3



If you require pre-drilled fixing holes in your SF3 Please ask.

SF 4



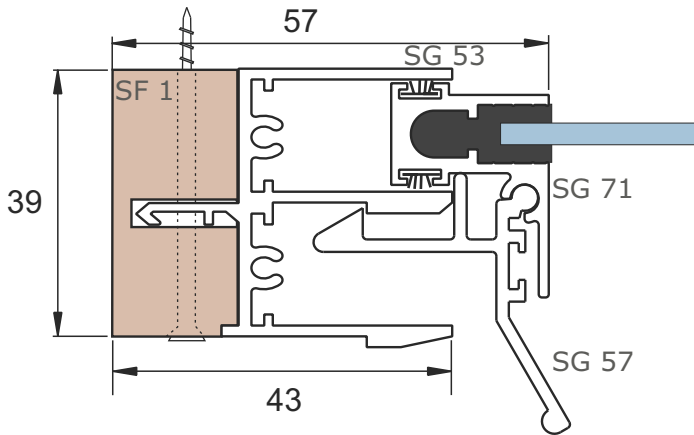
If you require pre-drilled fixing holes in your SF4 Please ask.



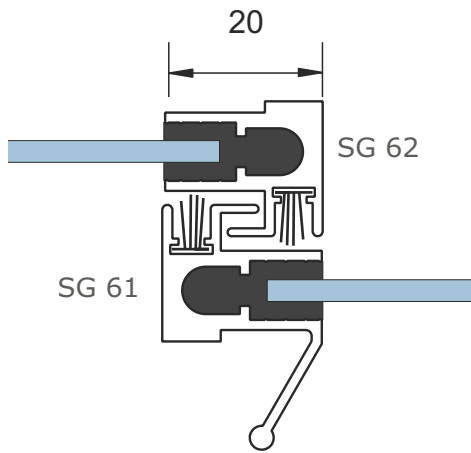
Two Pane Horizontal Slider

Luxury Subframe - SF1 Face Fix

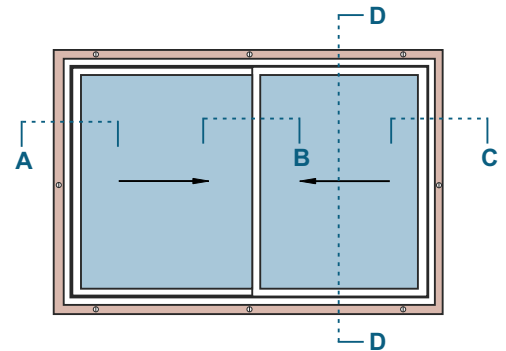
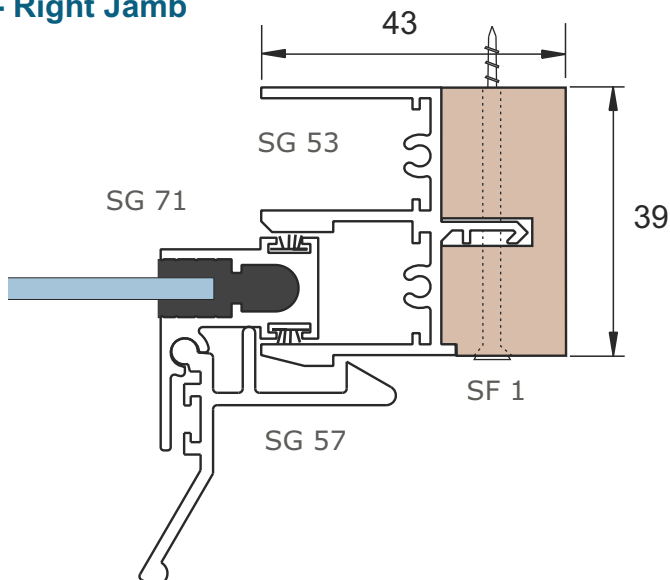
A - Left Jamb



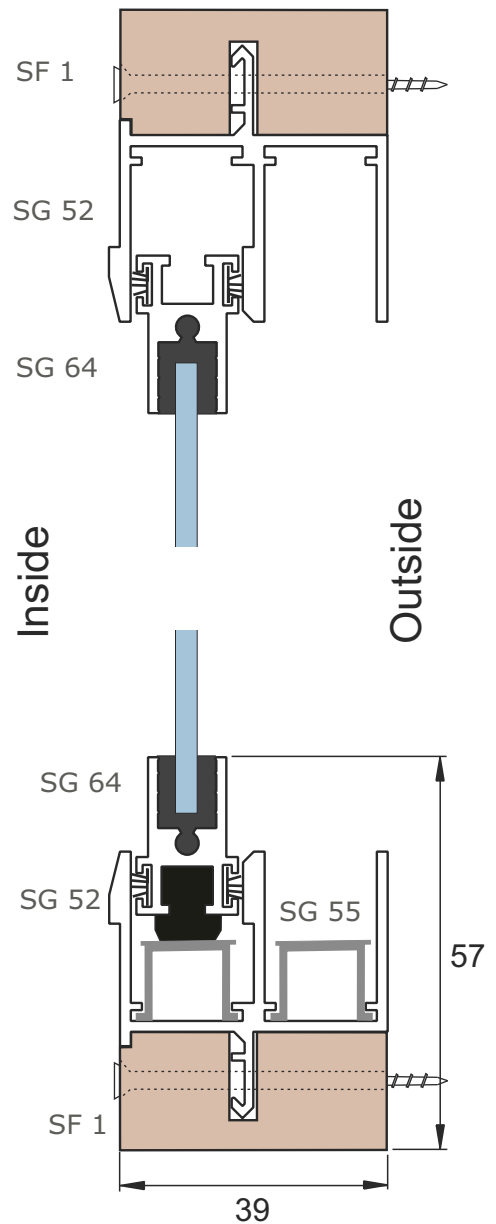
B - Interlock



C - Right Jamb



D - Cross Section

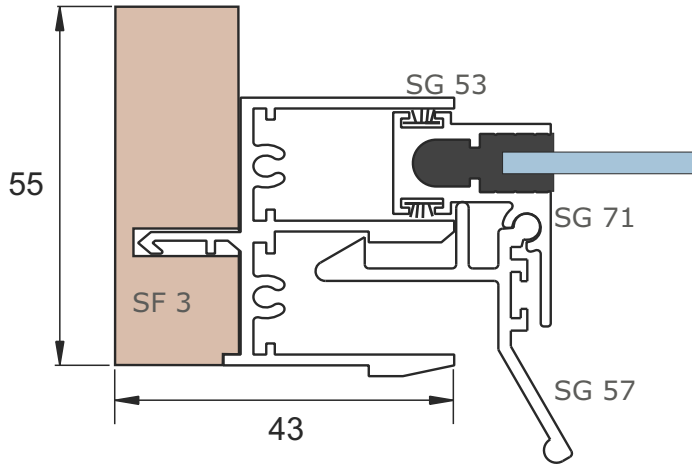




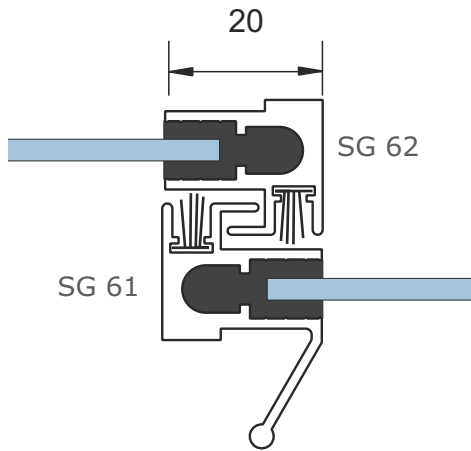
Two Pane Horizontal Slider

Luxury Subframe - SF3 Reveal Fix

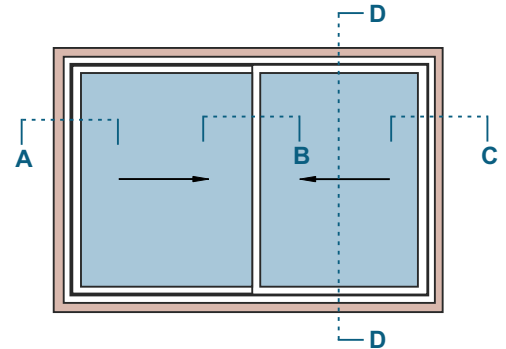
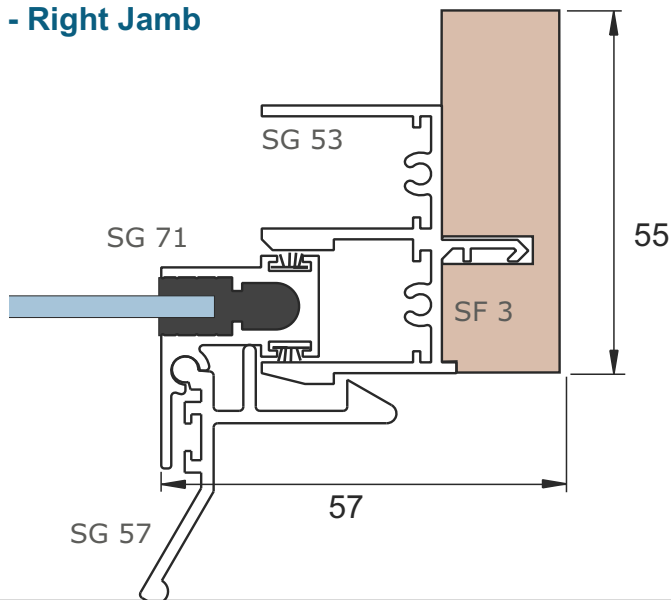
A - Left Jamb



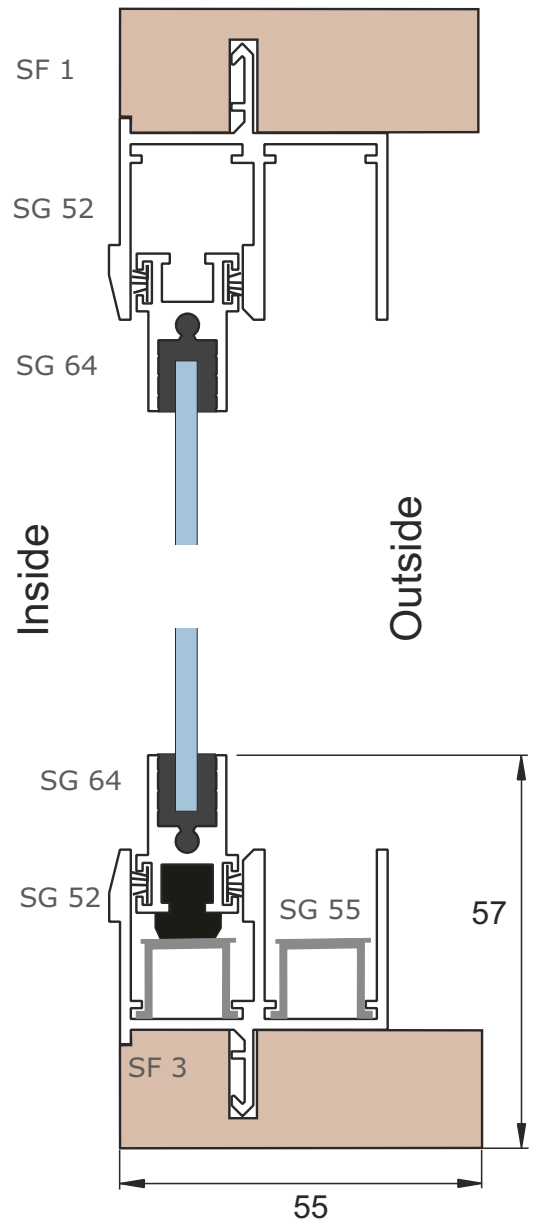
B - Interlock



C - Right Jamb



D - Cross Section

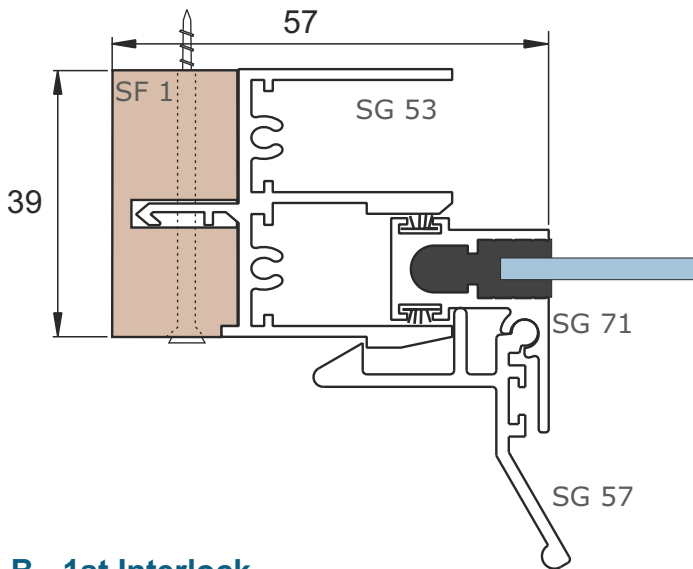




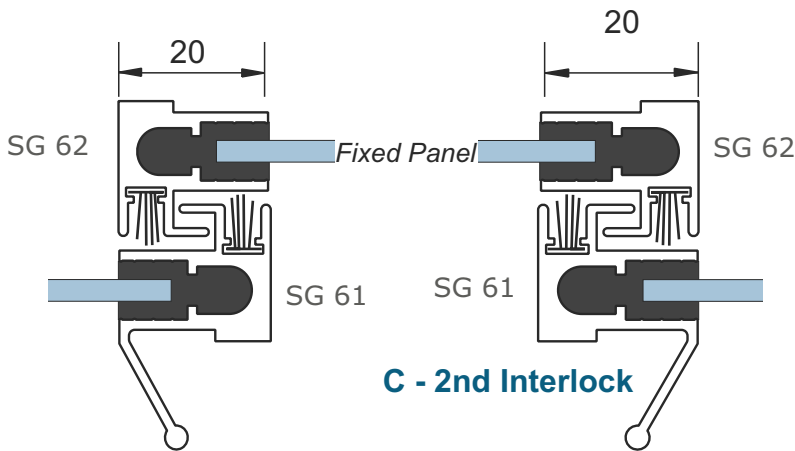
Three Pane Horizontal Slider - Fixed Middle Panel

Luxury Subframe - SF1 Face Fix

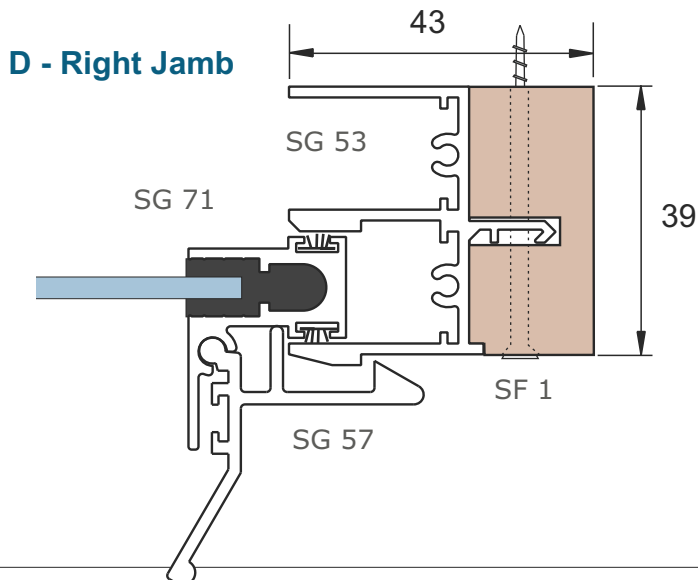
A - Left Jamb



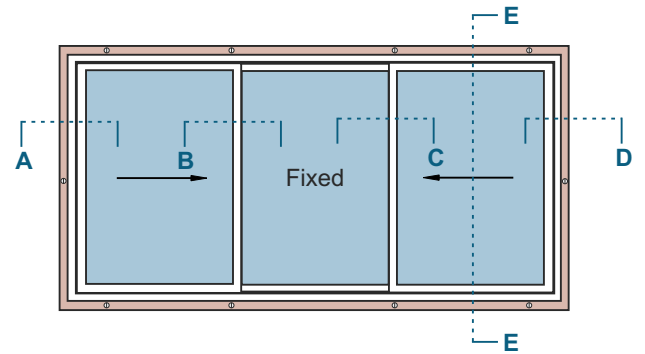
B - 1st Interlock



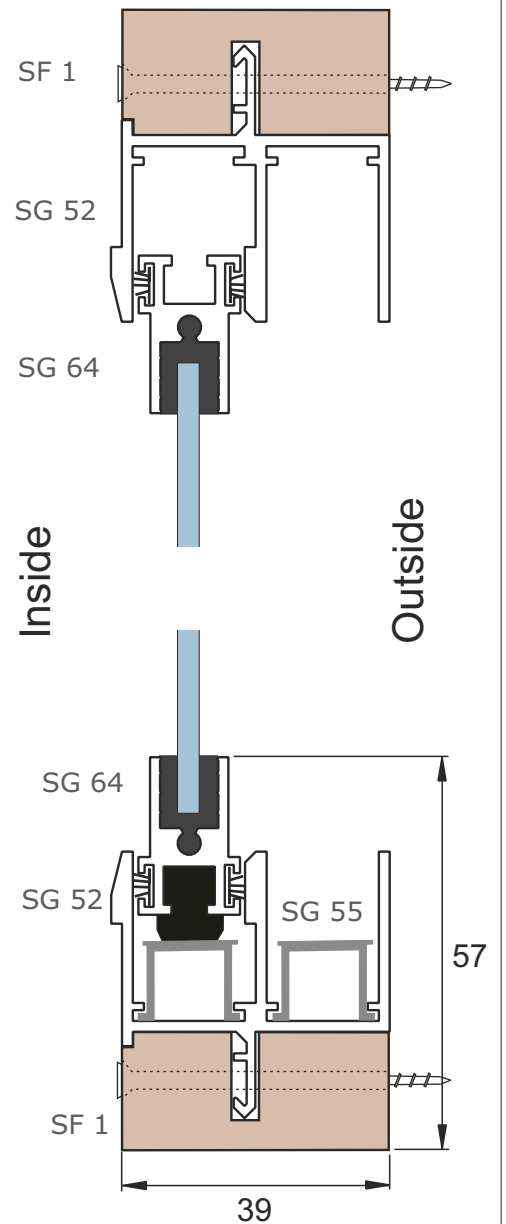
C - 2nd Interlock



D - Right Jamb



E - Cross Section

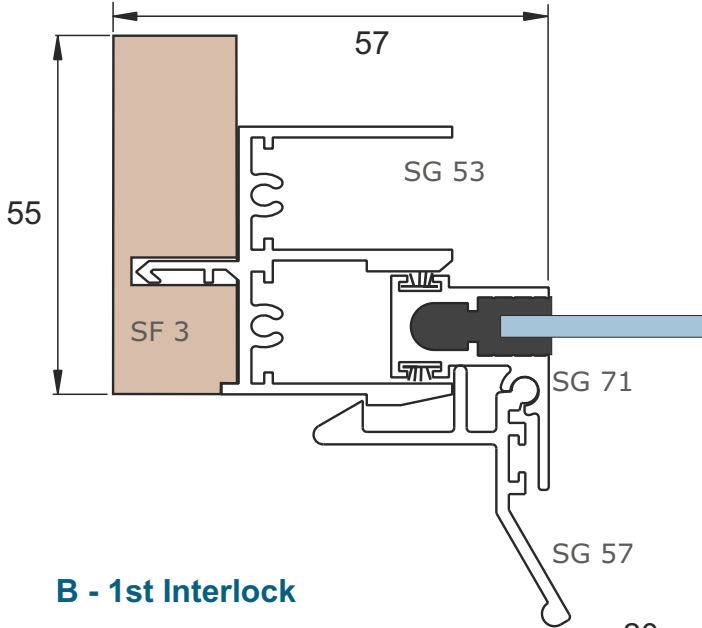




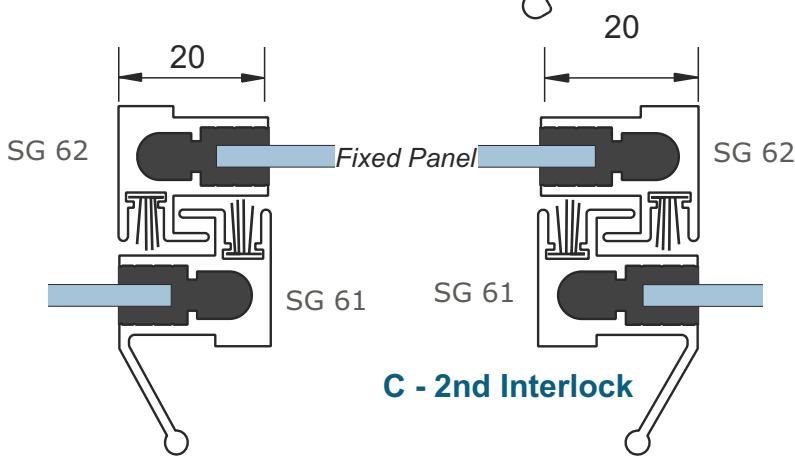
Three Pane Horizontal Slider - Fixed Middle Panel

Luxury Subframe - SF3 Reveal Fix

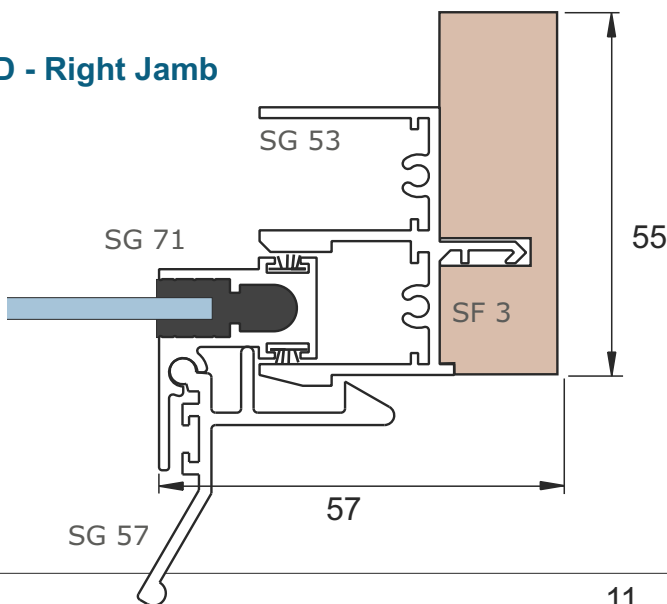
A - Left Jamb



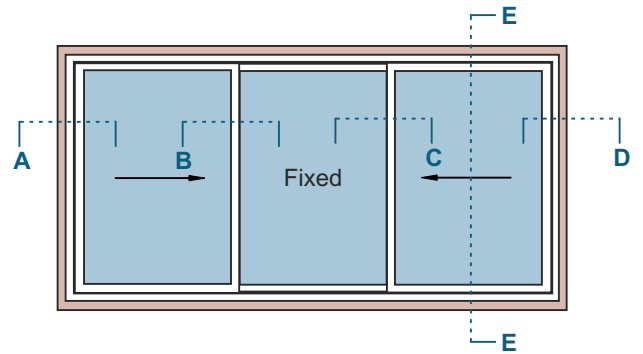
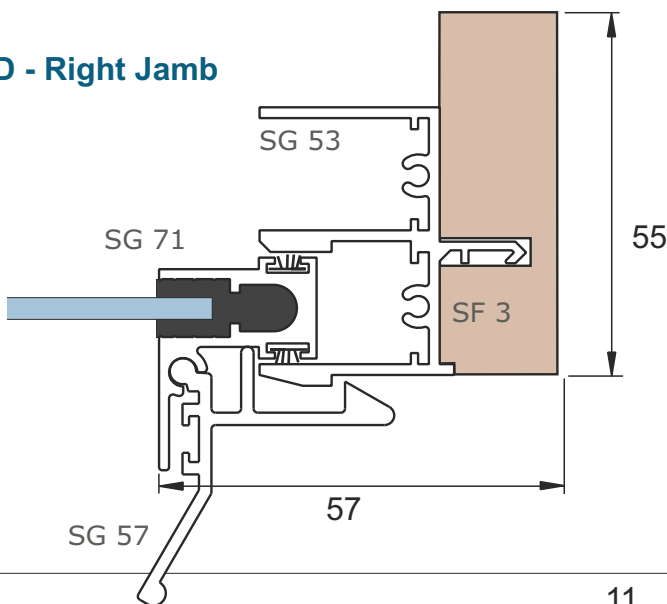
B - 1st Interlock



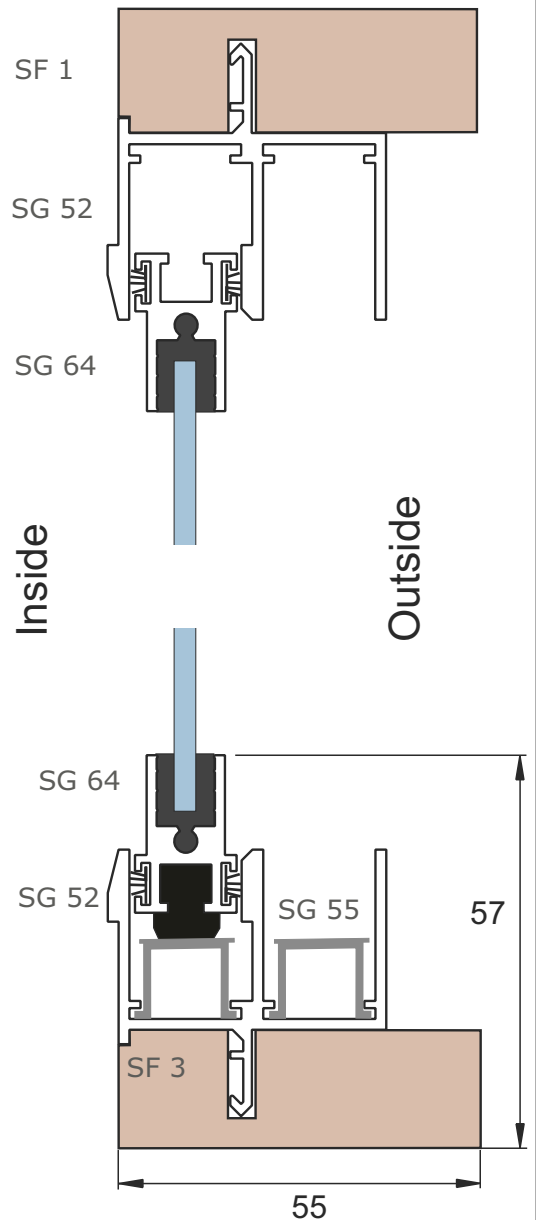
C - 2nd Interlock



D - Right Jamb



E - Cross Section

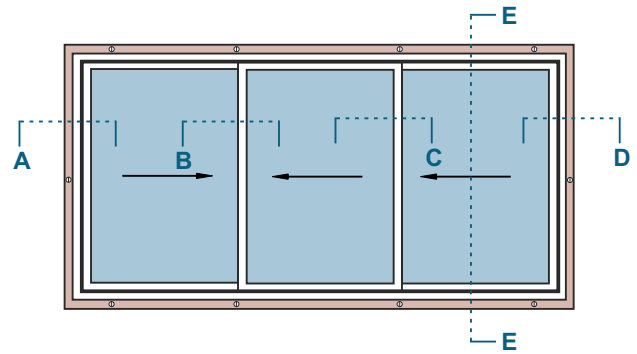
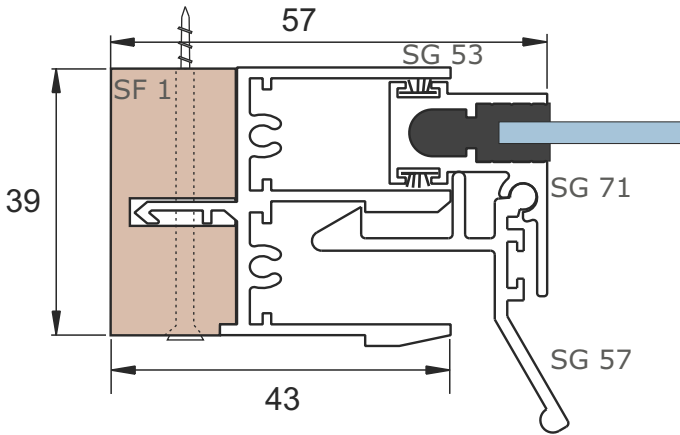




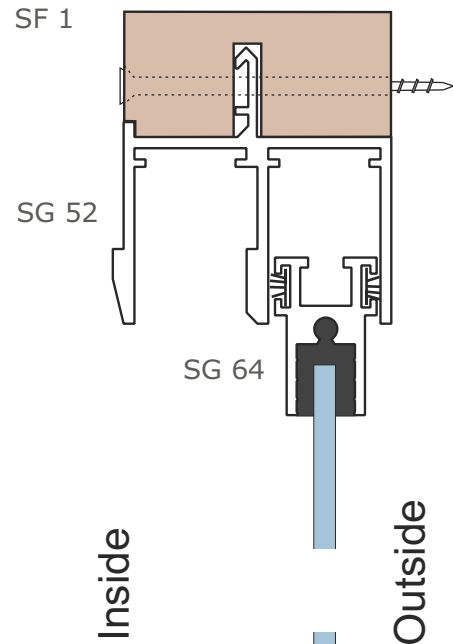
Three Pane Horizontal Slider - All Sliding

Luxury Subframe - SF1 Face Fix

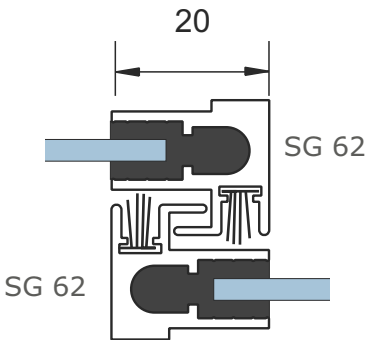
A - Left Jamb



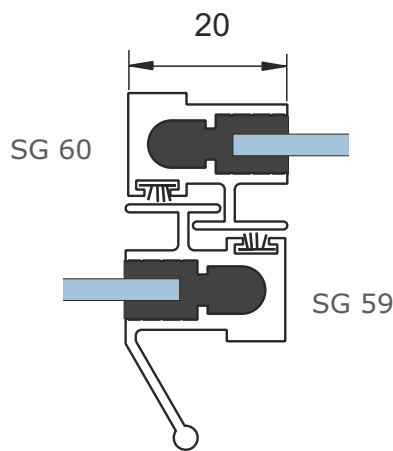
E - Cross Section



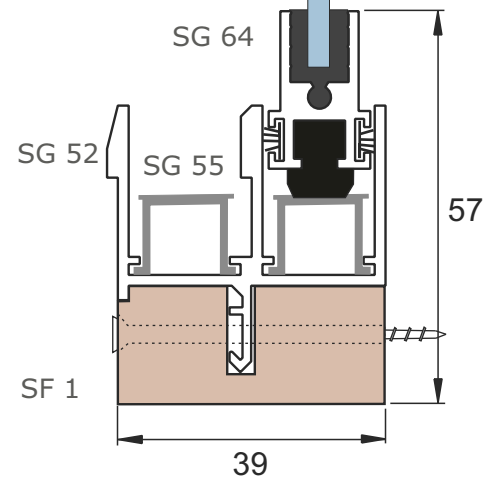
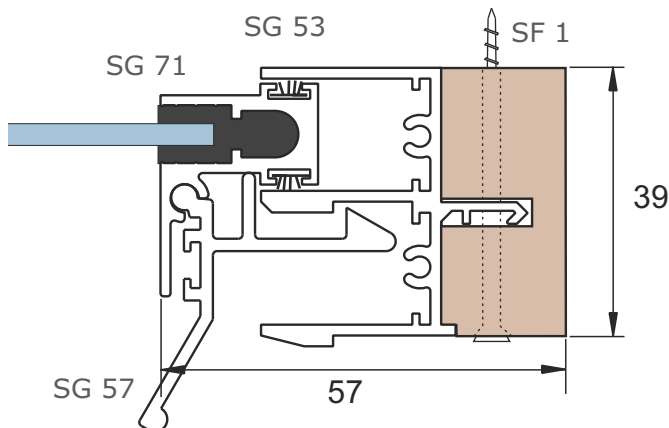
B - 1st Interlock



C - 2nd Interlock



D - Right Jamb

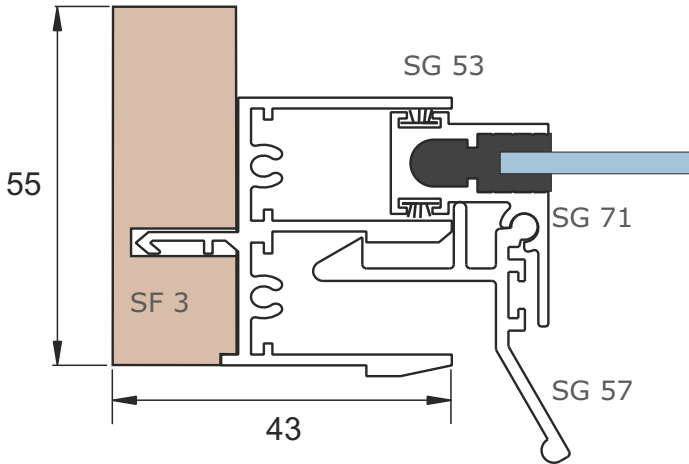




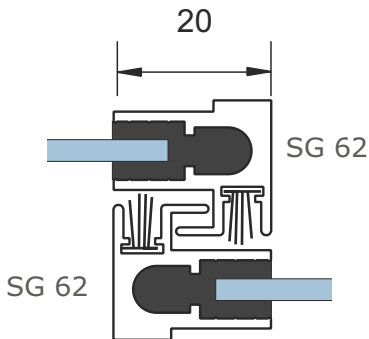
Three Pane Horizontal Slider - All Sliding

Luxury Subframe - SF3 Reveal Fix

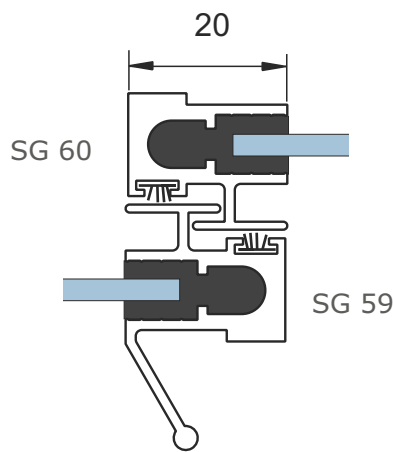
A - Left Jamb



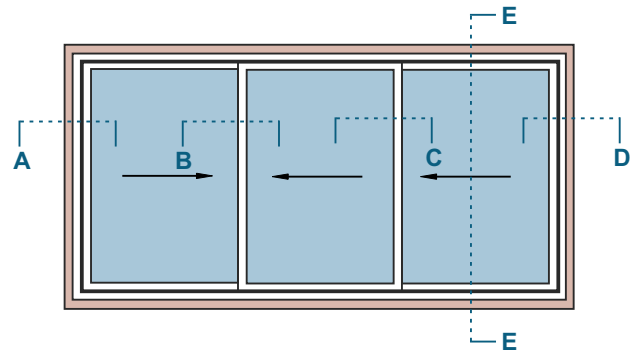
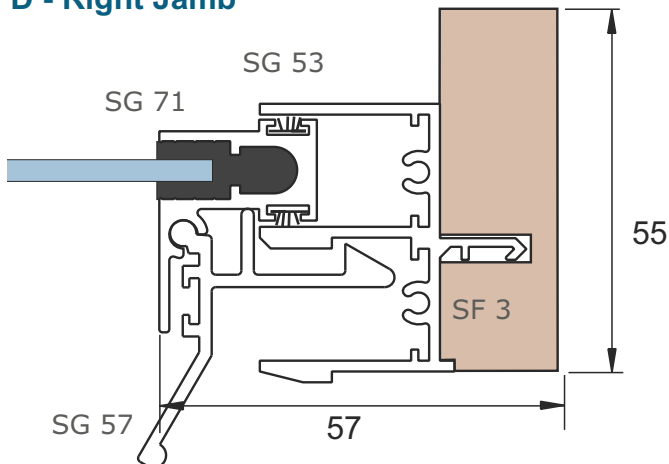
B - 1st Interlock



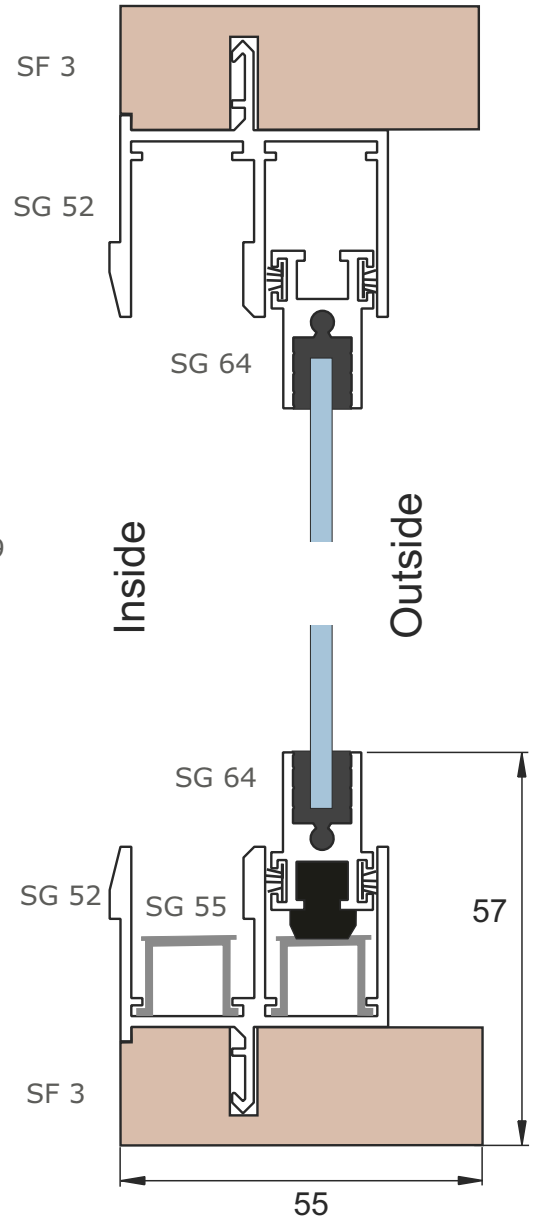
C - 2nd Interlock



D - Right Jamb



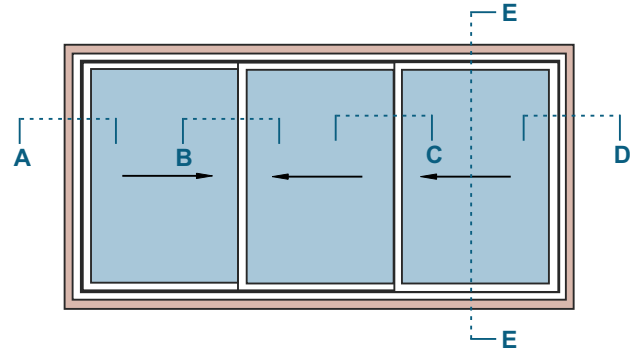
E - Cross Section



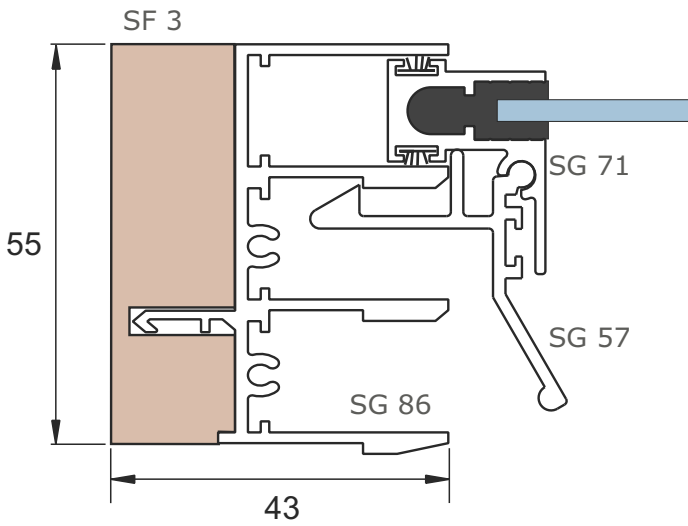


Triple Track, Three Pane Horizontal Slider

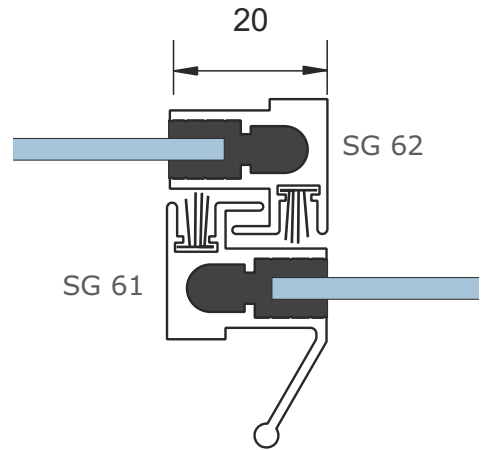
Luxury Subframe - SF3 Face Fix



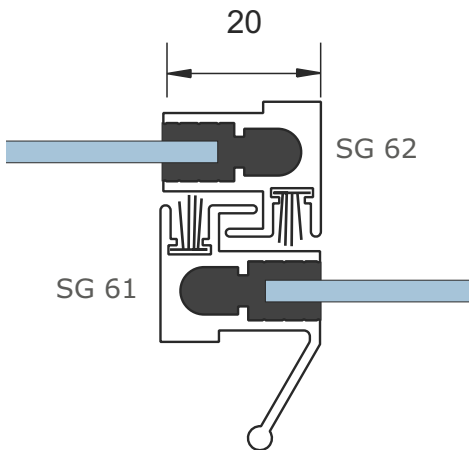
A - Left Jamb



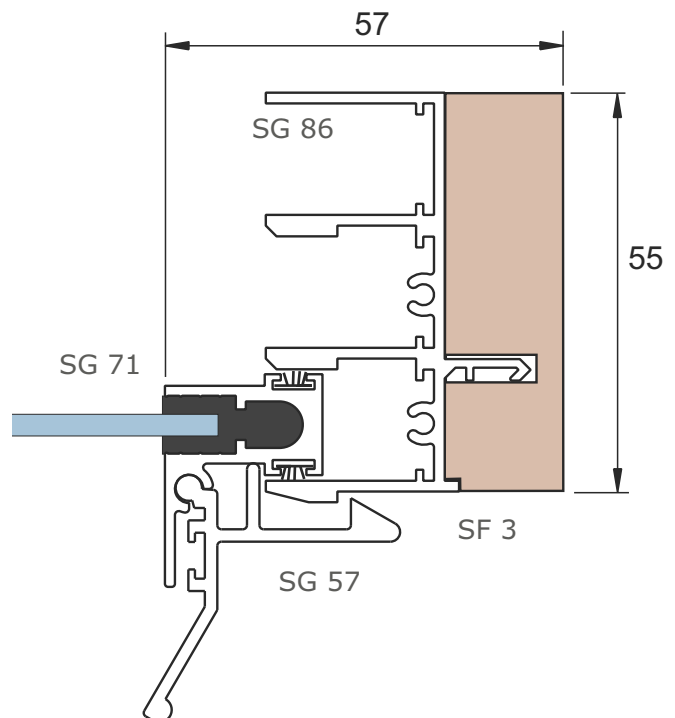
B - 1st Interlock



C - 2nd Interlock



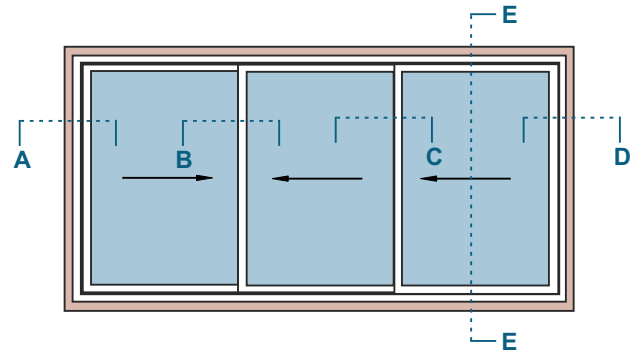
D - Right Jamb



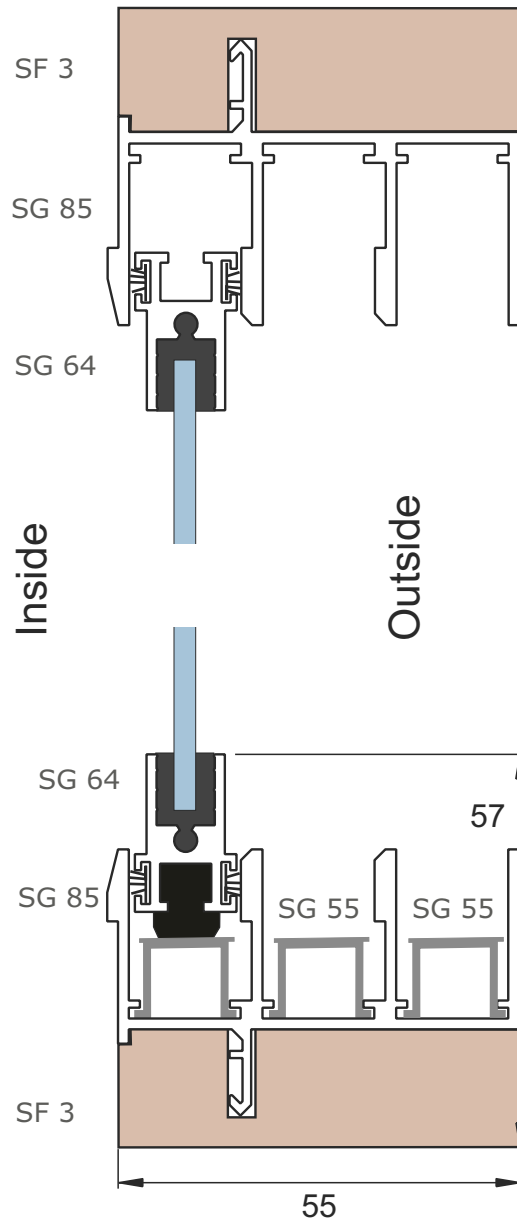


Triple Track, Three Pane Horizontal Slider

Luxury Subframe - SF3 Face Fix



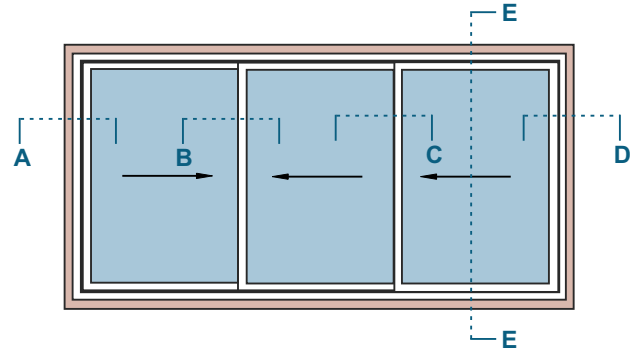
E - Cross Section



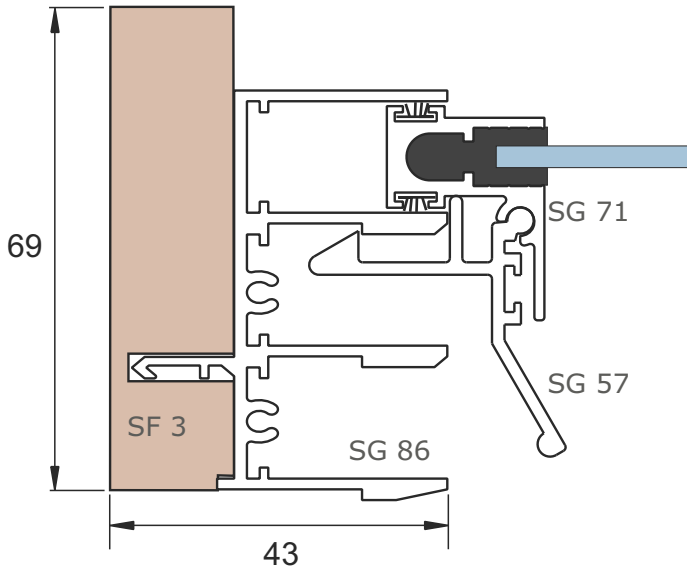


Triple Track, Three Pane Horizontal Slider

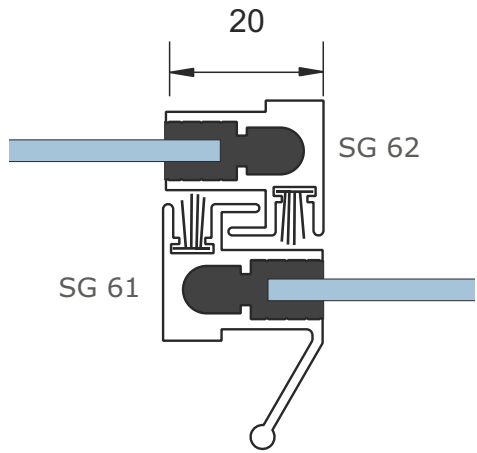
Luxury Subframe - SF4 Reveal Fix



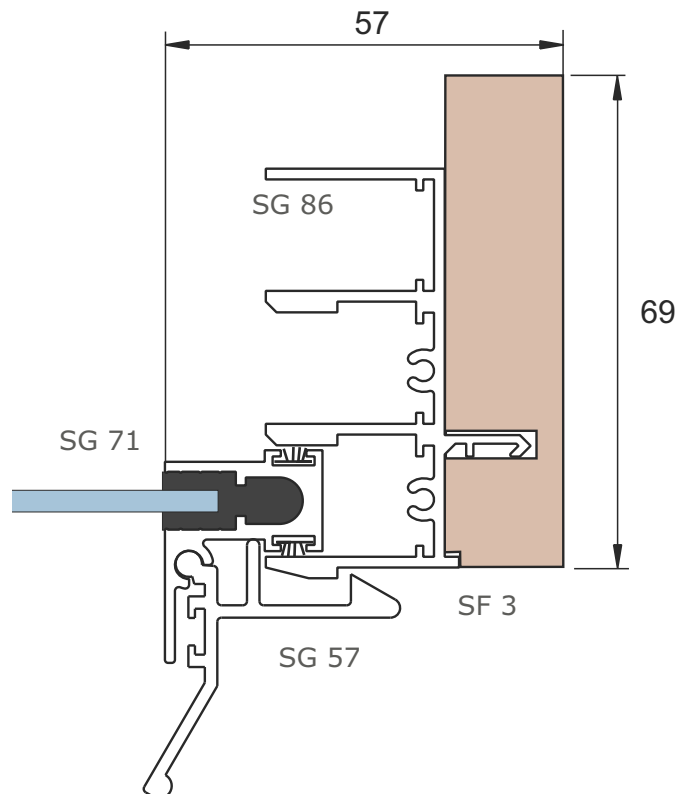
A - Left Jamb



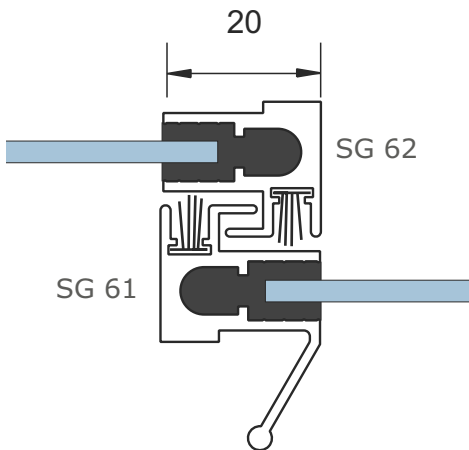
B - 1st Interlock



D - Right Jamb



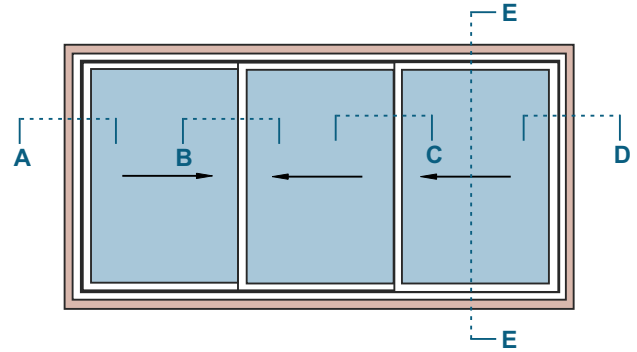
C - 2nd Interlock



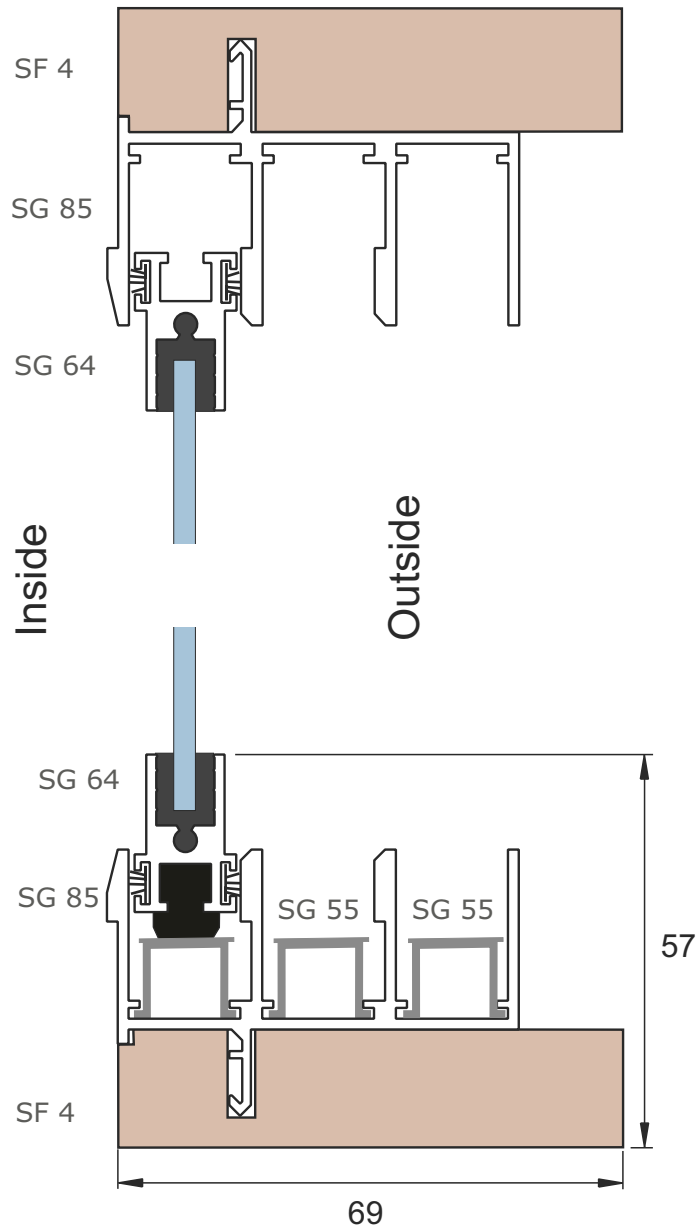


Triple Track, Three Pane Horizontal Slider

Luxury Subframe - SF4 Reveal Fix



E - Cross Section

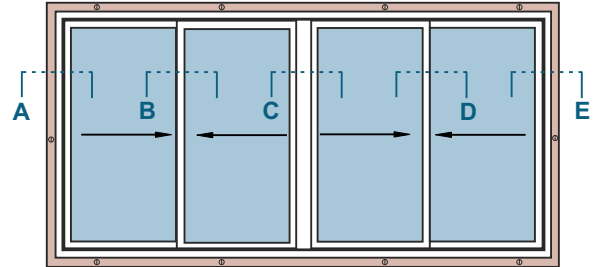
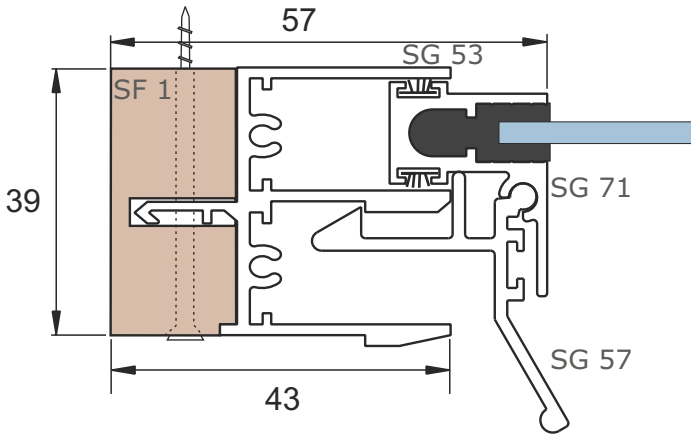




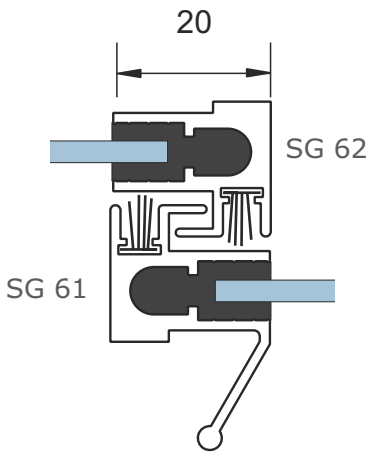
Four Pane Horizontal Slider

Luxury Subframe - SF1 Face Fix

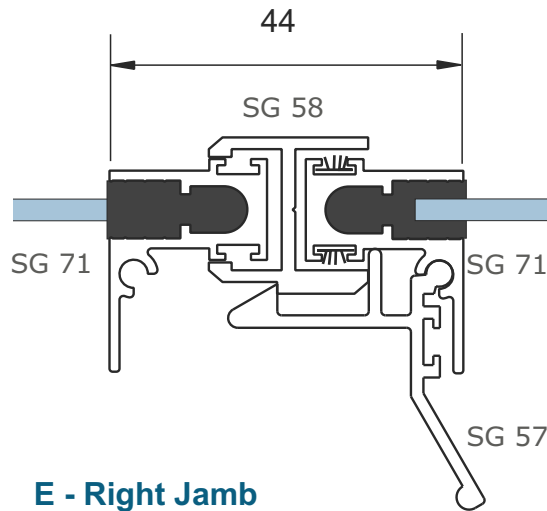
A - Left Jamb



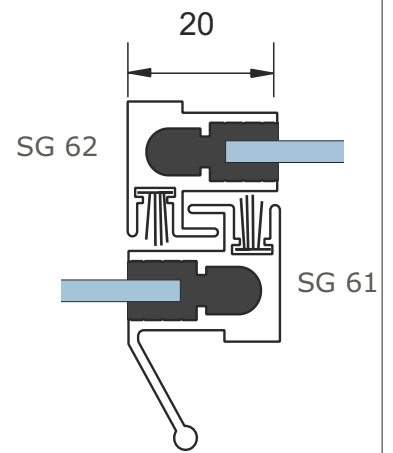
B - 1st Interlock



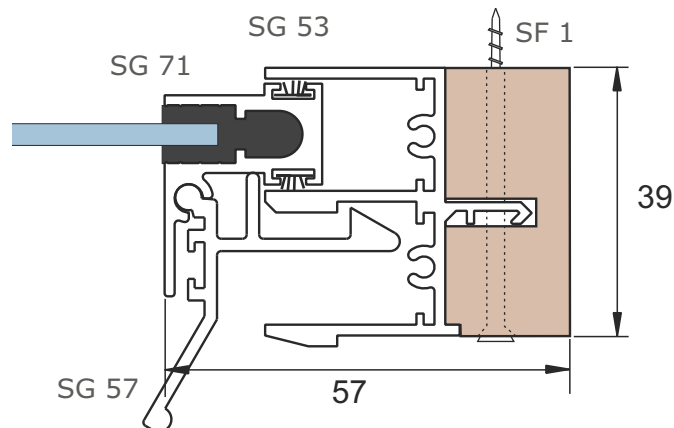
C - Meeting Stile



D - 2nd Interlock



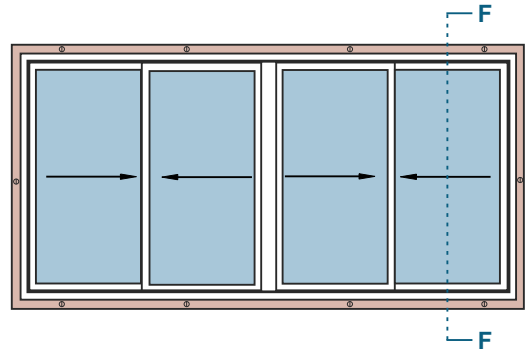
E - Right Jamb



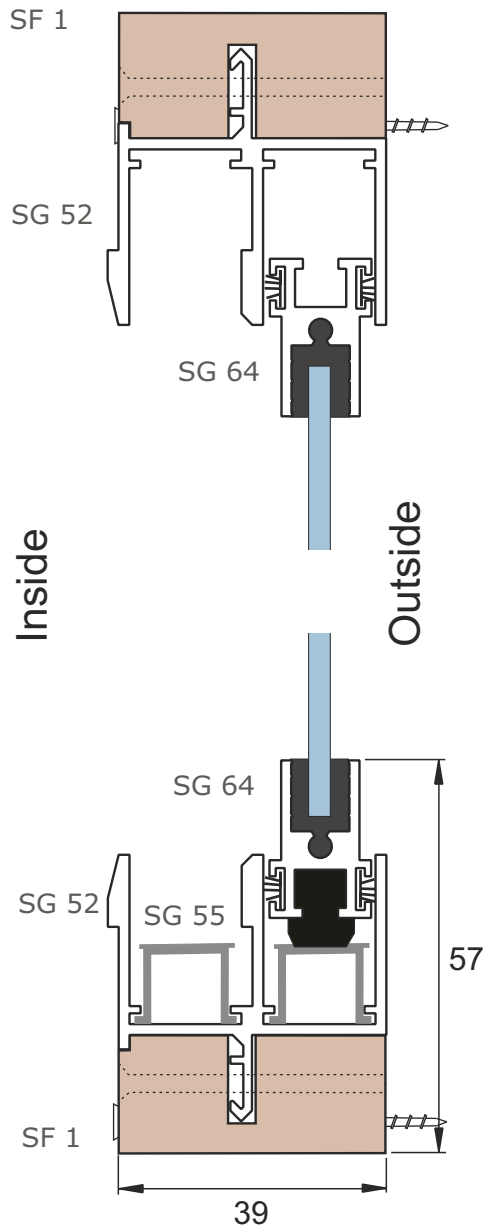


Four Pane Horizontal Slider

Luxury Subframe - SF1 Face Fix



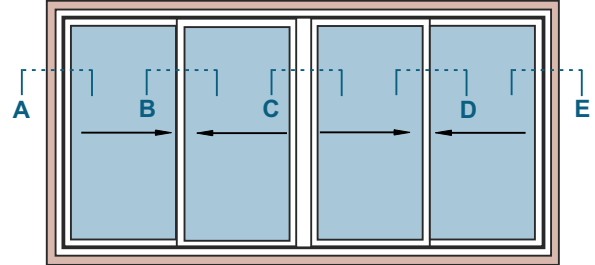
F - Cross Section



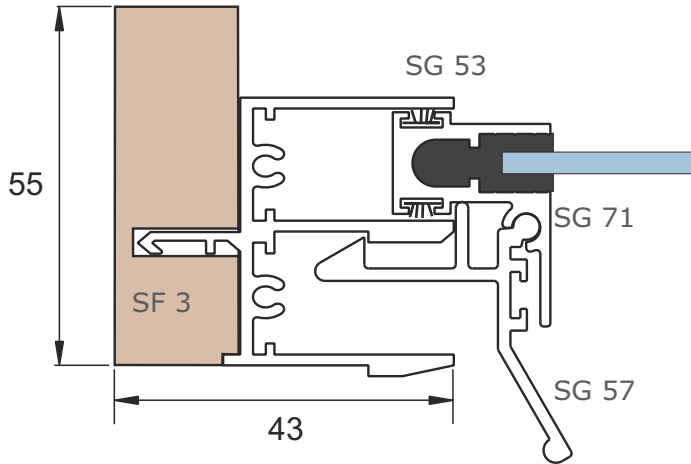


Four Pane Horizontal Slider

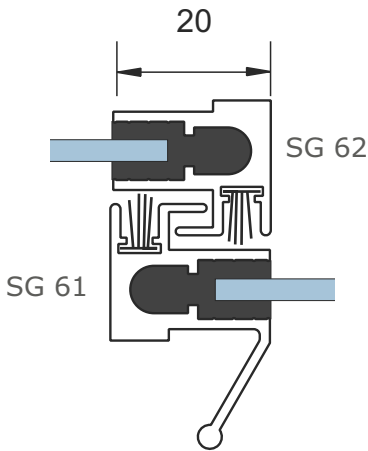
Luxury Subframe - SF3 Reveal Fix



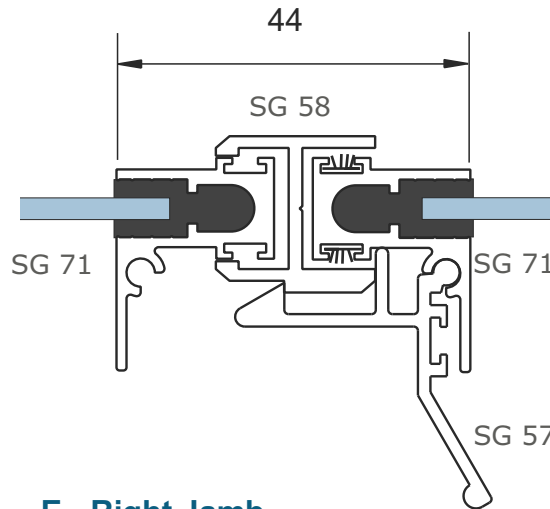
A - Left Jamb



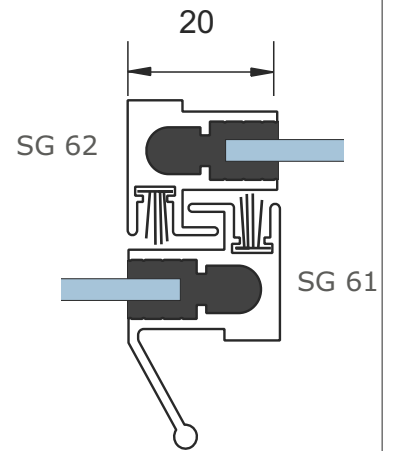
B - 1st Interlock



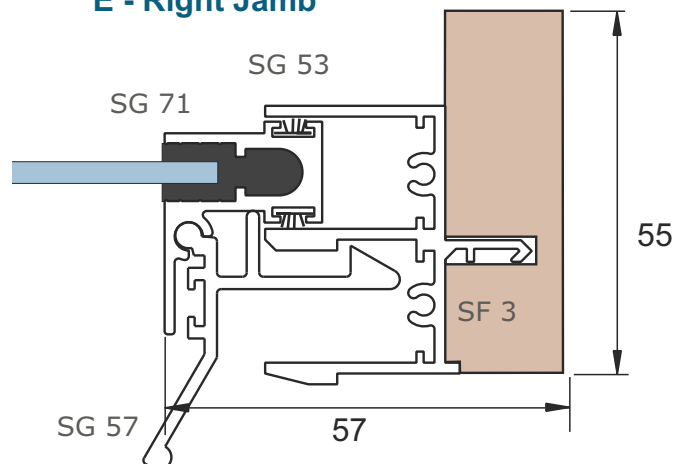
C - Meeting Stile



D - 2nd Interlock



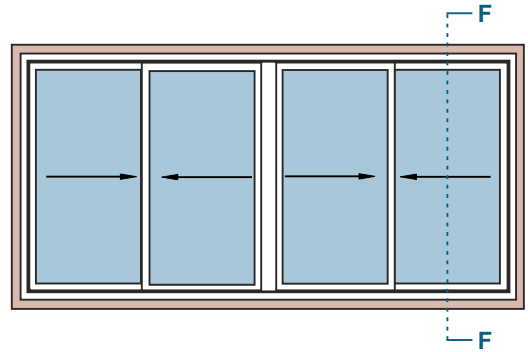
E - Right Jamb



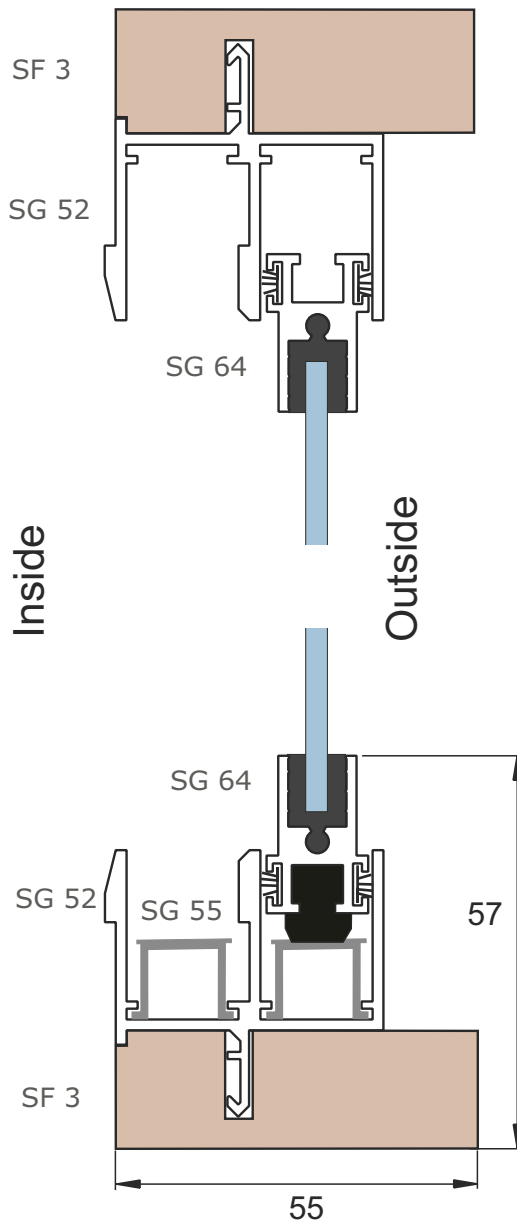


Four Pane Horizontal Slider

Luxury Subframe - SF3 Reveal Fix



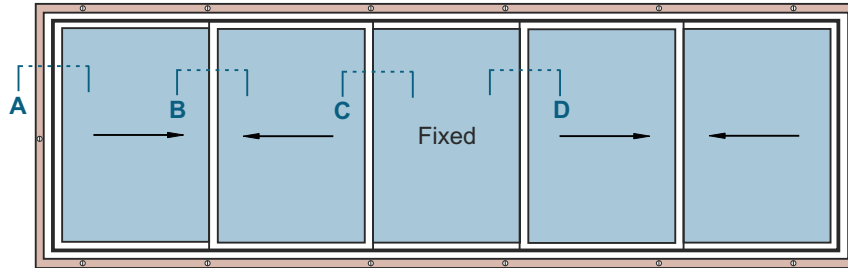
F - Cross Section



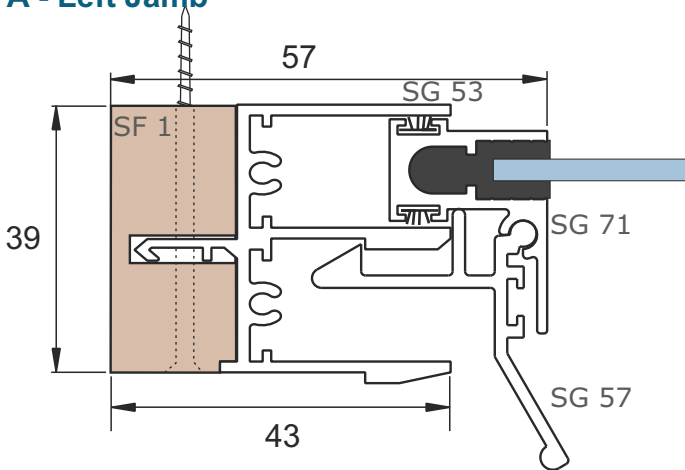


Five Pane Horizontal Slider

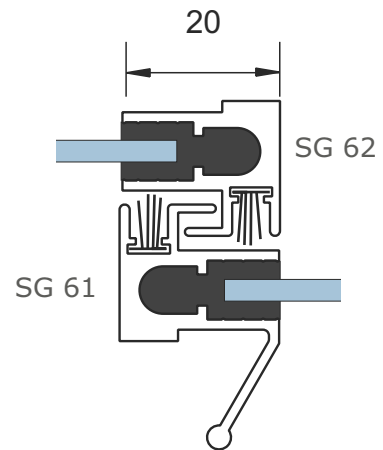
Luxury Subframe - SF1 Face Fix



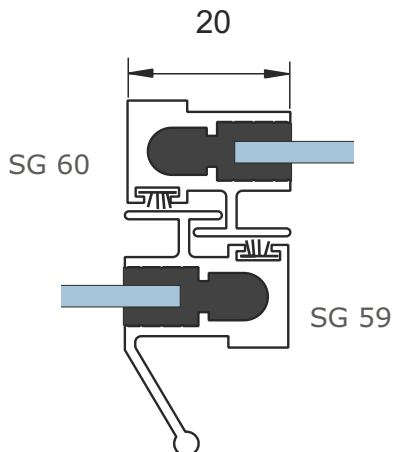
A - Left Jamb



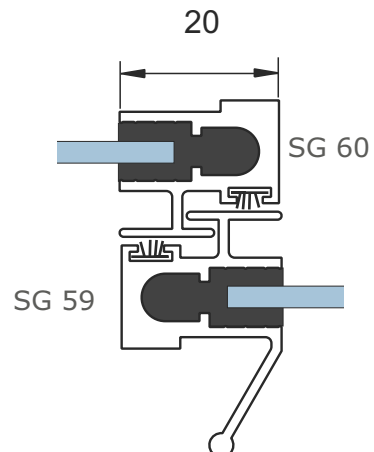
B - 1st Interlock



C - 2nd Interlock



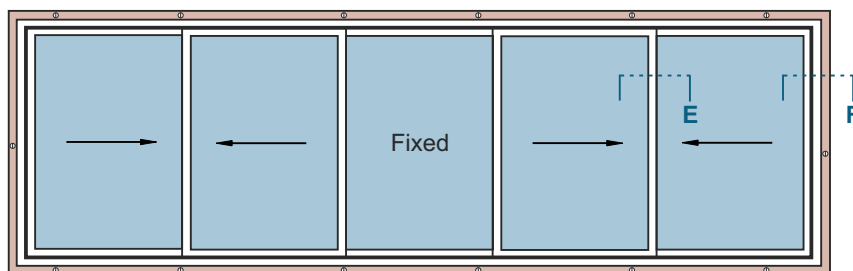
D - 3rd Interlock



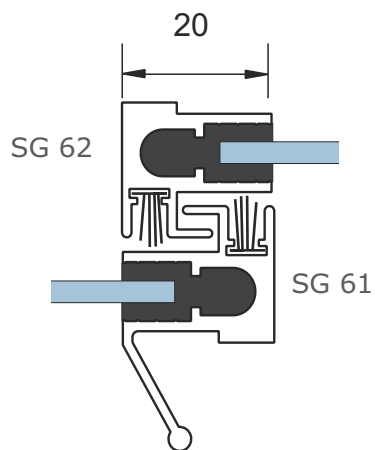


Five Pane Horizontal Slider

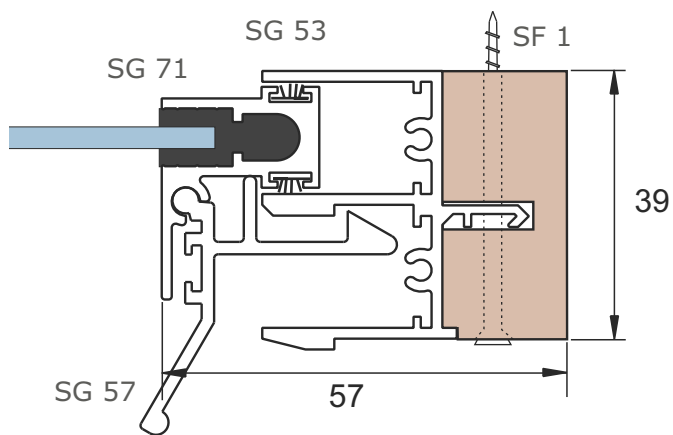
Luxury Subframe - SF1 Face Fix



E - Last Interlock



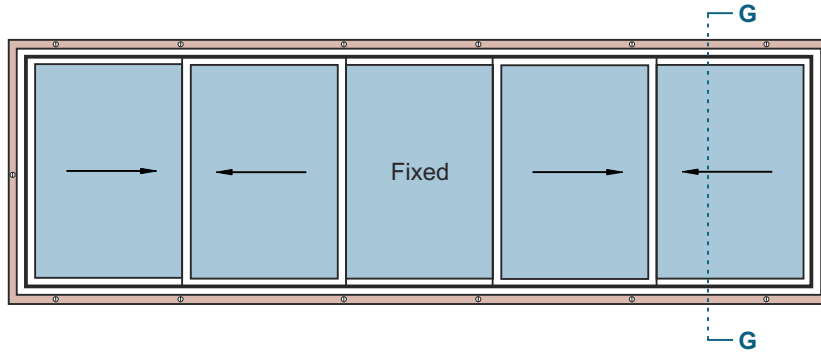
F - Right Jamb



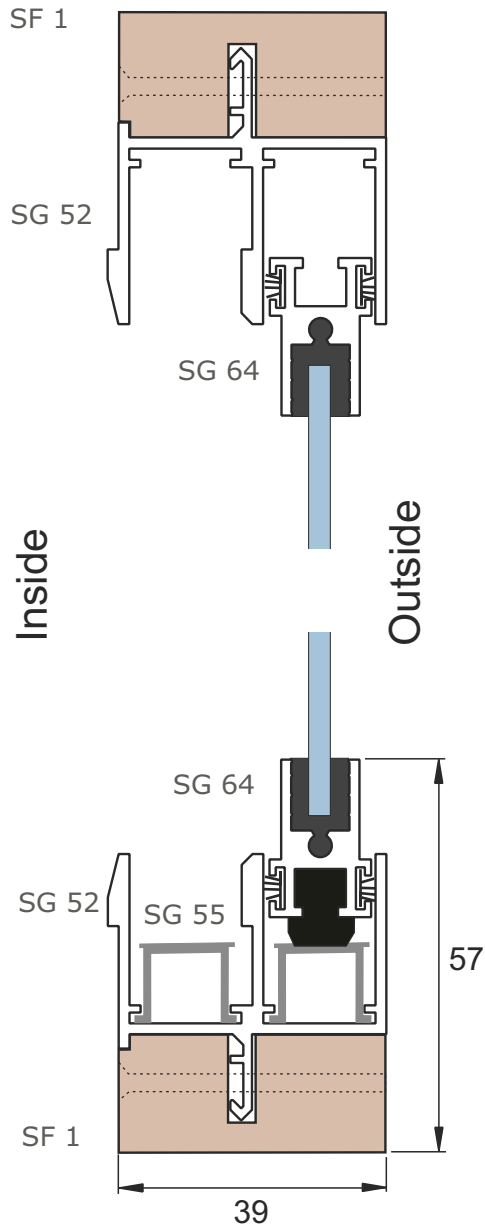


Five Pane Horizontal Slider

Luxury Subframe - SF1 Face Fix



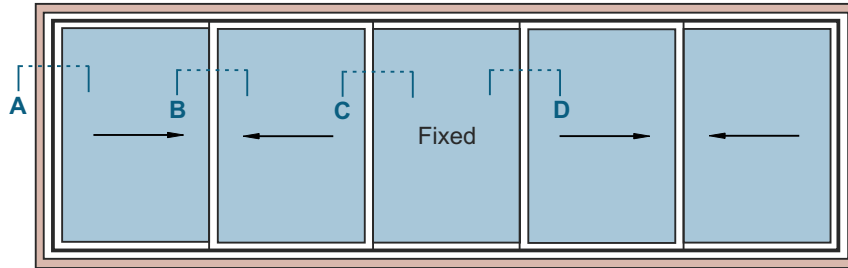
G - Cross Section



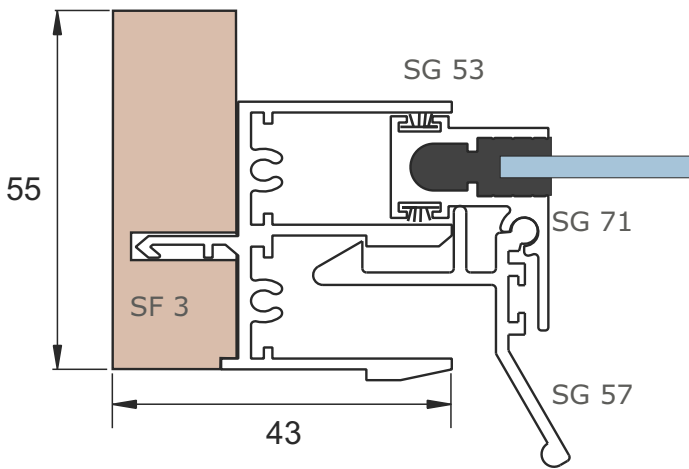


Five Pane Horizontal Slider

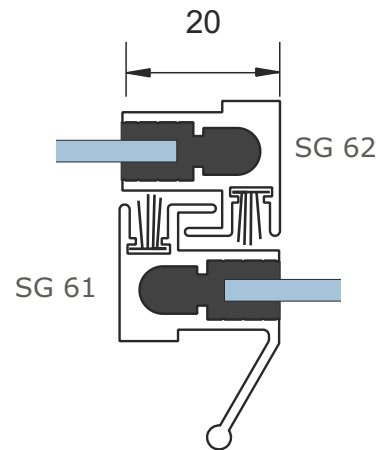
Luxury Subframe - SF3 Reveal Fix



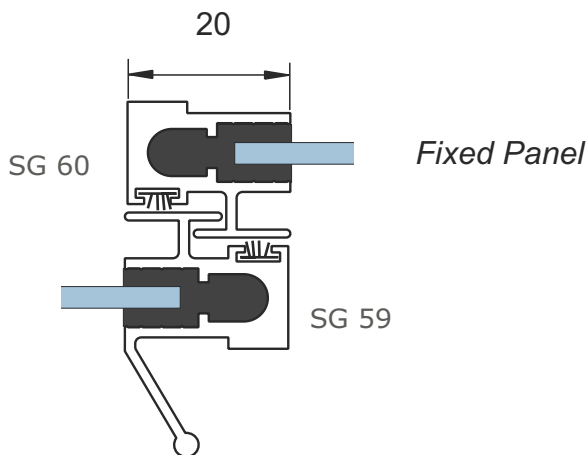
A - Left Jamb



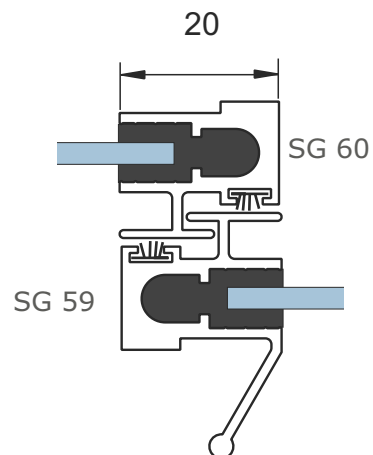
B - 1st Interlock



C - 2nd Interlock



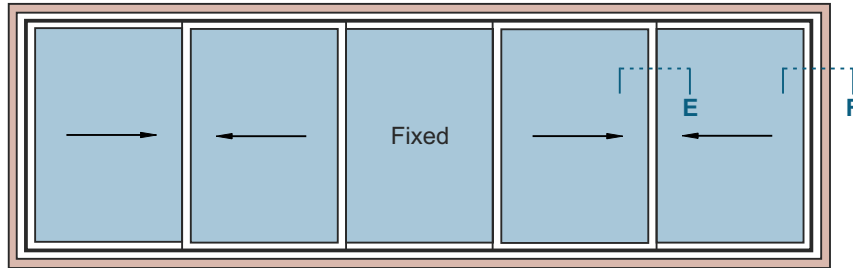
D - 3rd Interlock



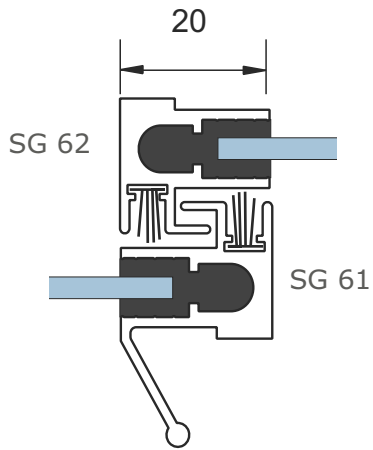


Five Pane Horizontal Slider

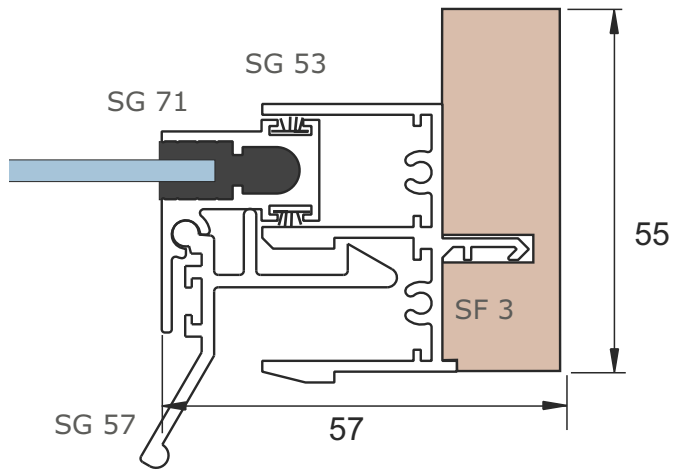
Luxury Subframe - SF3 Reveal Fix



E - Last Interlock



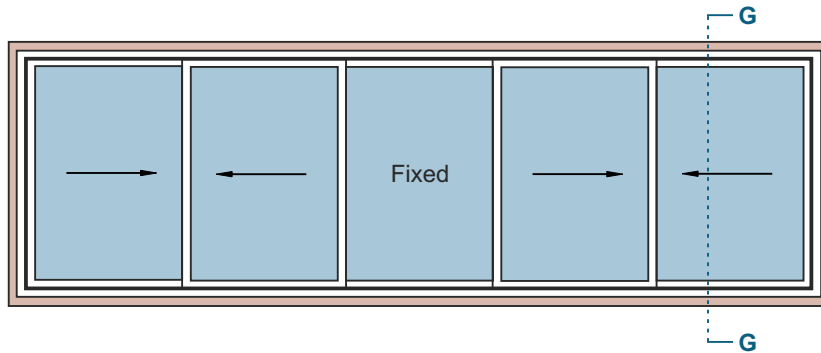
F - Right Jamb





Five Pane Horizontal Slider

Luxury Subframe - SF3 Reveal Fix



G - Cross Section

