



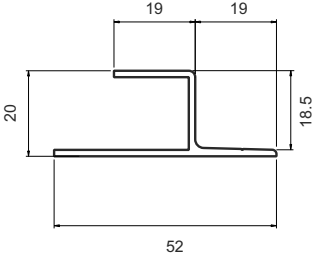
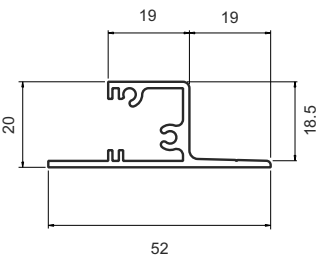
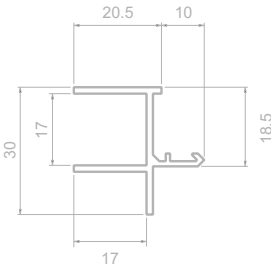
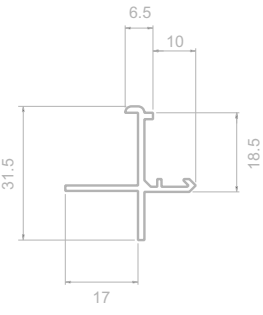
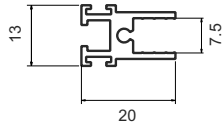
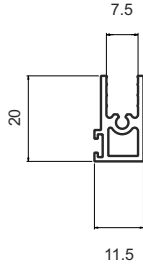
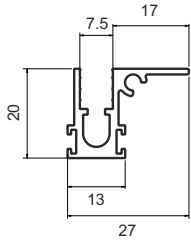
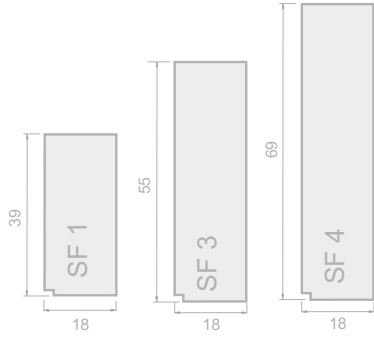



DURATION WINDOWS

Lift Out Secondary Glazing Economy Odd Leg System Section Identification

Contents

- Section Identification Overview Page 2
- Outerframes Page 3
- Sliding Panels Page 4
- Non-Aluminium Parts Page 5
- Cross Section & Plan View Page 6

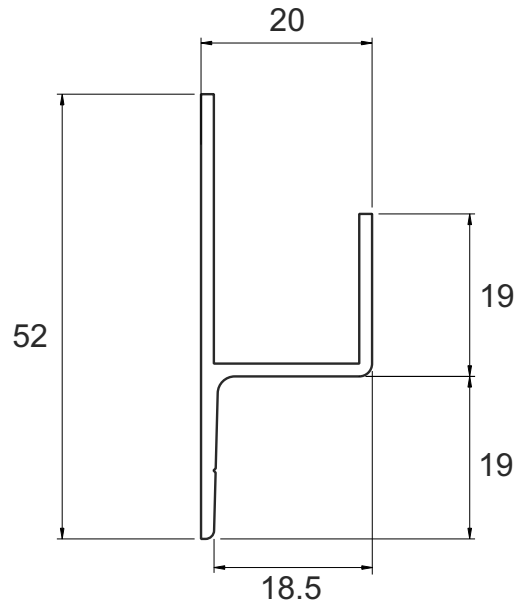
Overview

<p>Economy Outerframe</p> <p>SG 88 Odd Leg Outerframe no screw ports</p>  <p>SG 89 Odd Leg Outerframe with screw ports</p> 	<p>Subframe Outerframe</p> <p>SG 67 Subframe Fix Outerframe</p>  <p>SG 68 Subframe Fix Outerframe</p> 
<p>Sliding Panel Frame Interlocks</p> <p>SG 64 Sliding panel top / head</p>  <p>SG 66 sliding panel horizontal</p>  <p>SG 71 Sliding Panel with handrail</p> 	<p>Non-Aluminium Parts</p> <p>Wooden Subframes</p>  <p>PVCu Track Insert</p>  <p>PVCu U Channel</p>  <p>No# 8 Pan Head Screw</p> 

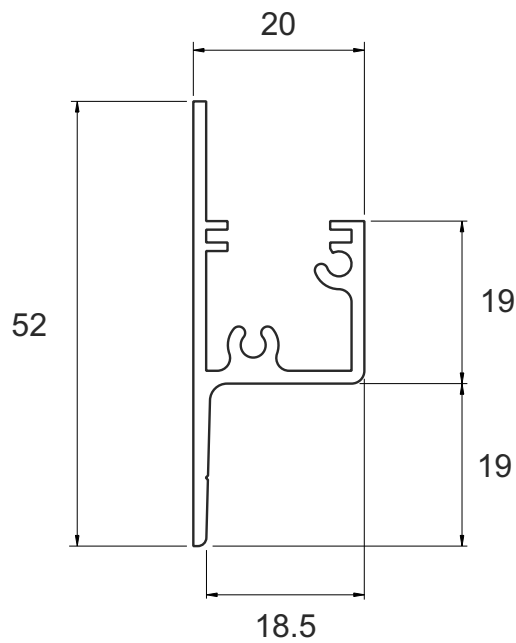


Outerframe

SG 88
Odd Leg Outerframe
no screw ports



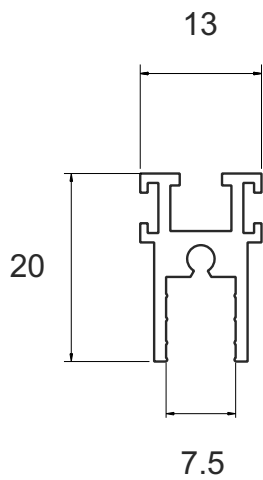
SG 89
Odd Leg Outerframe
with screw ports



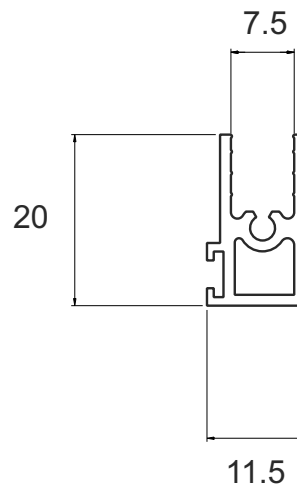


Sliding panels

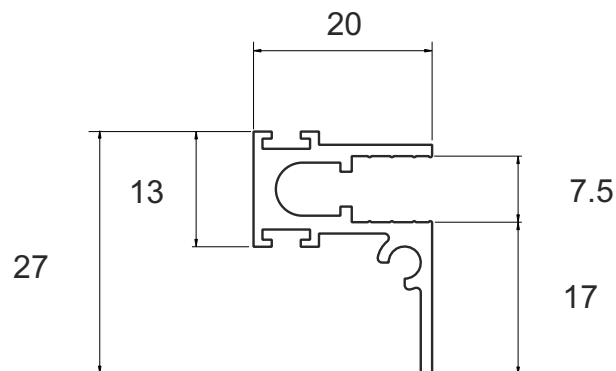
SG 64
Sliding Panel
for head section



SG 66
Sliding Panels for
horizontals



SG 71
Sliding Panel
with handrail



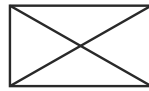


Non-Aluminium Parts

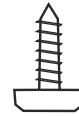
PVCu
U Channel



PVCu Track
Insert



No# 8
Pan Head Screw

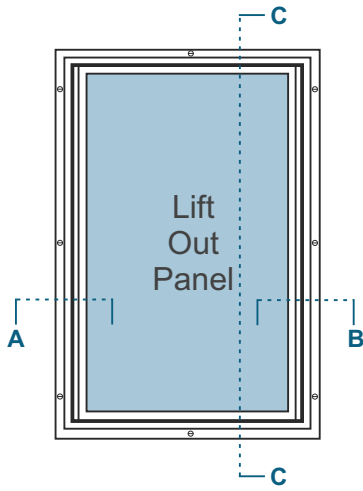


This half of the page
has been left
blank intentionally

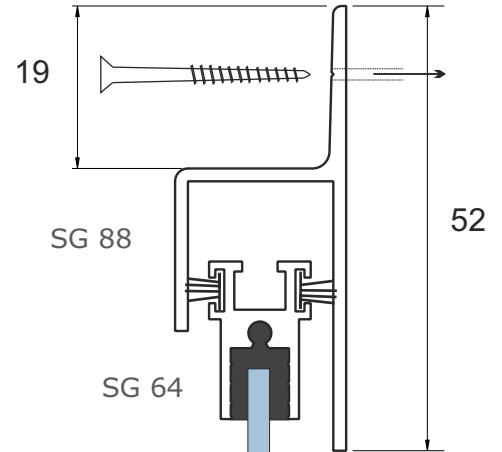


Cross Section & Plan View

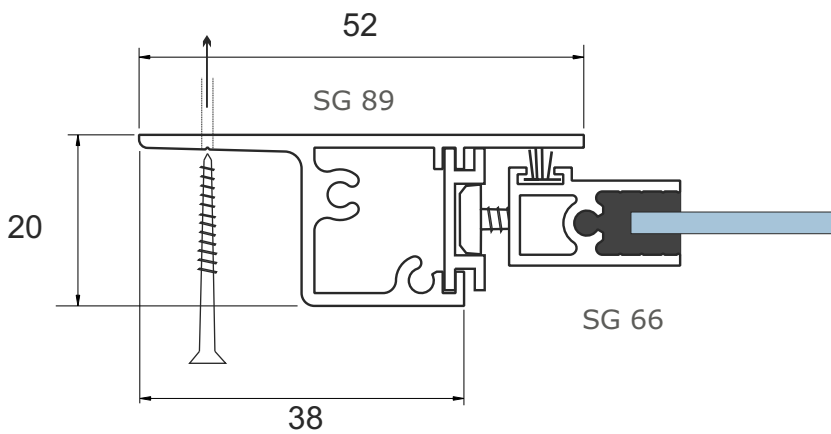
Economy Odd Leg System



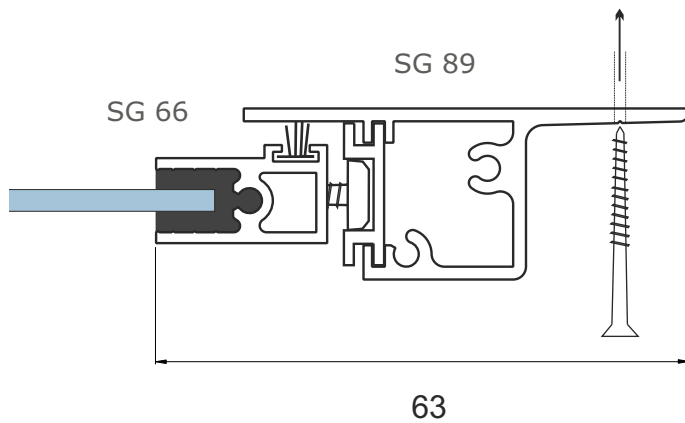
C - Cross Section



A - Left Jamb



B - Right Jamb



Inside

Outside

