



# DURATION WINDOWS

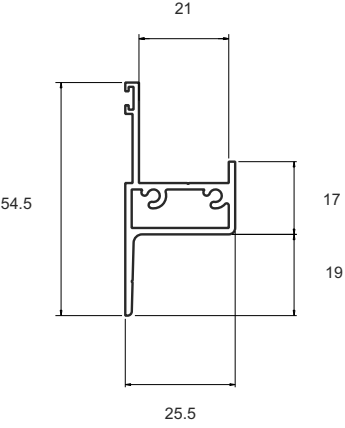
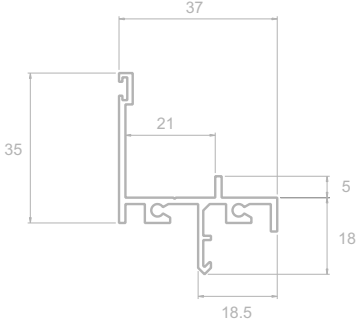
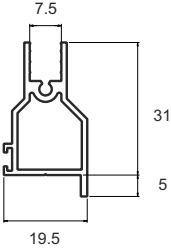
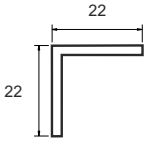
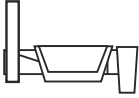
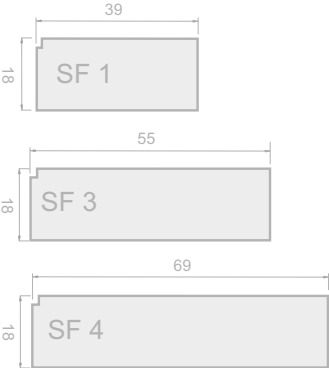
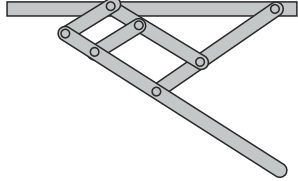
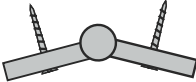
## Hinged Secondary Glazing Economy Odd Leg System Section Identification

### Contents

● Section Identification Overview		Page 2
● Outerframe		Page 3
● Hinged Panels		Page 4
● Locking Catch & Hinges		Page 5
● Single Butt Hinged	- Cross Section	Page 6
	- Plan View	Page 7
● Double Butt Hinged	- Cross Section	Page 8
	- Plan View	Page 9
● Friction Hinged (Side Hung)	- Cross Section	Page 10
	- Plan View	Page 11
● Friction Hinged (Top Hung)	- Cross Section	Page 12
	- Plan View	Page 13



Overview

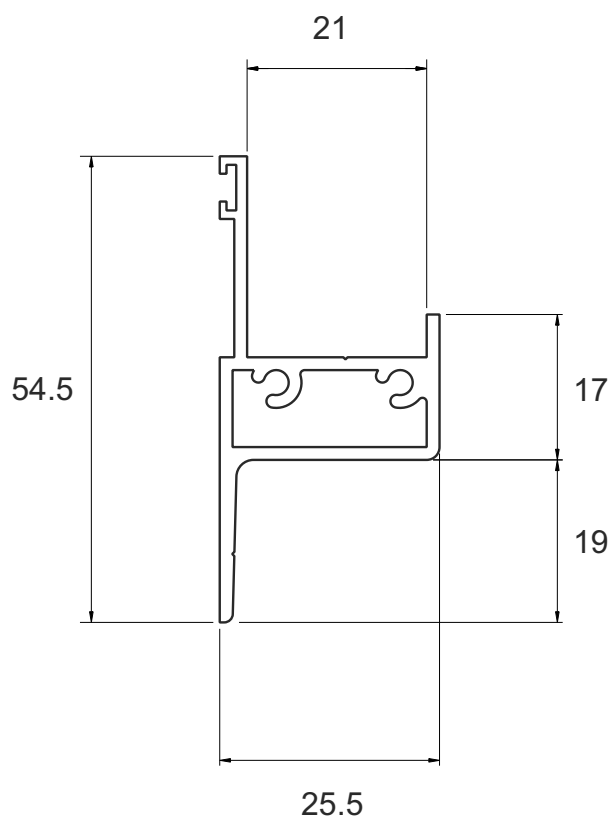
<p><b>Economy Outerframe</b></p>	<p><b>Subframe Outerframe</b></p>
<p>SG 93 Odd Leg Outerframe with screw ports</p> 	<p>SG 70 Subframe Fix Outerframe with screw ports</p> 
<p><b>Hinged Sash And Interlocks</b></p>	<p><b>Locking Catch</b></p>
<p>SG 69 Hinged Sash with screw ports</p>  <p>SG L1 Meeting Stile Interlock</p> 	<p>Locking Catch</p> 
<p><b>Subframes</b></p>	<p><b>Hinges</b></p>
	<p>Friction Hinges</p>  <p>Butt Hinges</p> 

\* Please Note: greyed out parts are not applicable to the economy system.



Outerframe

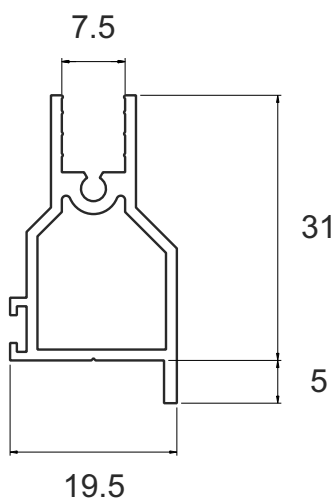
SG 93  
Odd Leg Outerframe  
with screw ports



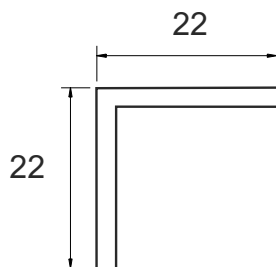


Hinged Sashes

SG 69  
Hinged Sash  
with screw ports



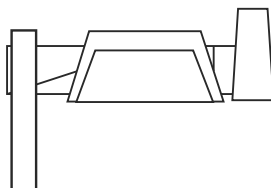
SG L1  
Meeting Stile Interlock





Locking Catch

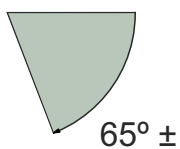
Locking Catch



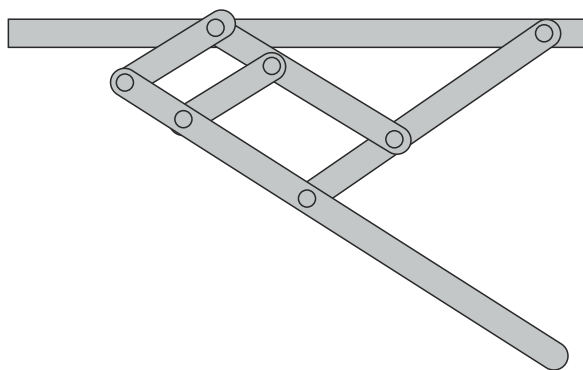
Hinges

Friction Hinge

Max. Opening Angle

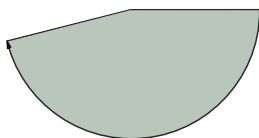


65° ±

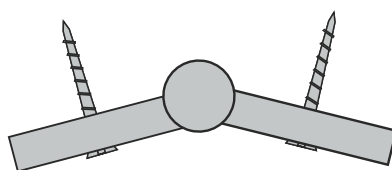


Butt Hinge

Max. Opening Angle

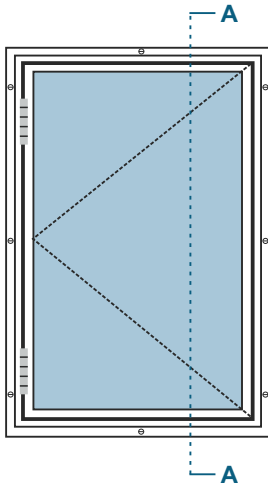


170° ±



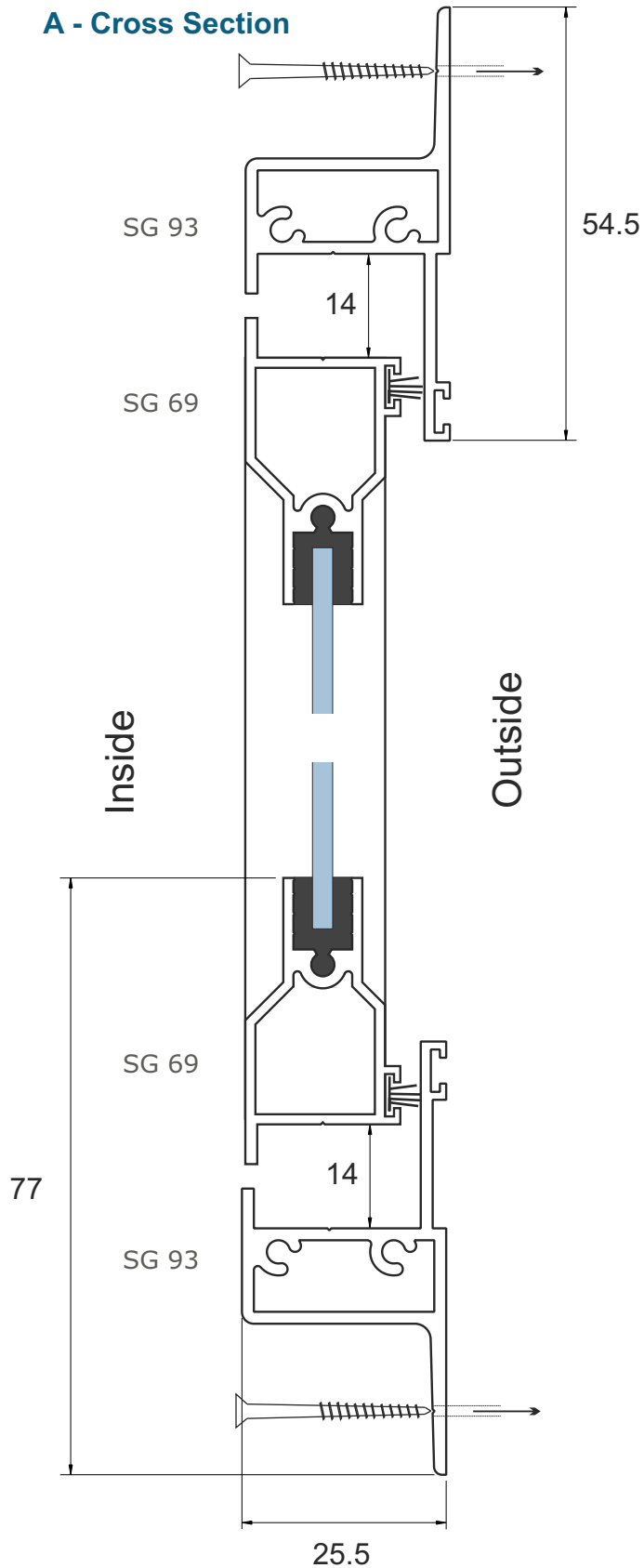


**Single Butt Hinged - Cross Section**



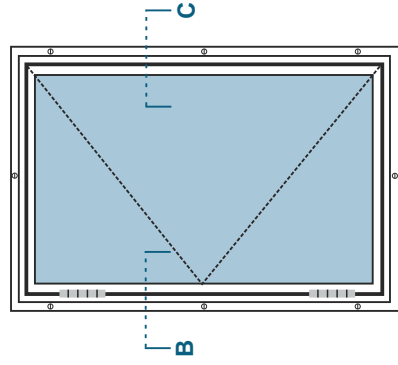
**Economy Odd Leg - Face Fix**

**A - Cross Section**

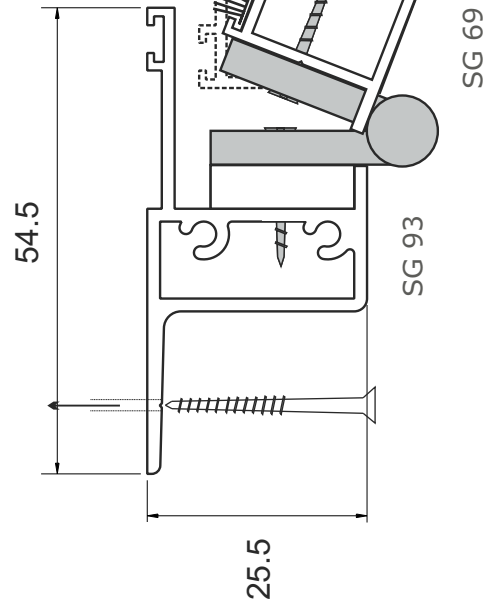


Single Butt Hinged - Plan View

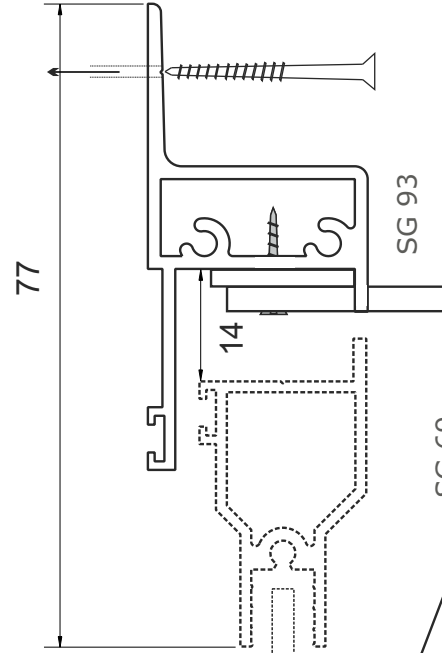
Economy Odd Leg - Face Fix



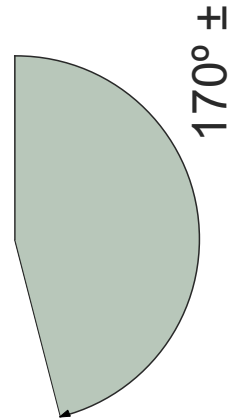
B - Left Jamb



C - Right Jamb



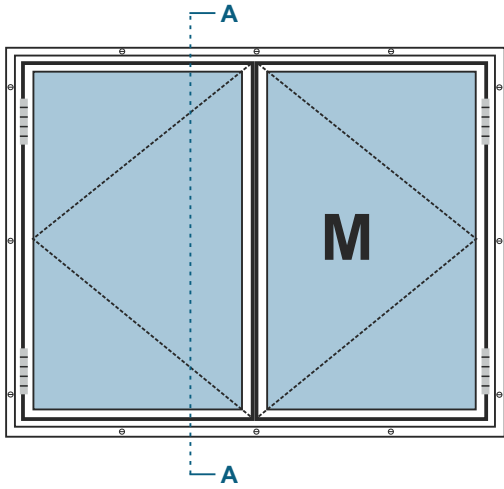
Max. Opening Angle



Locking Catch



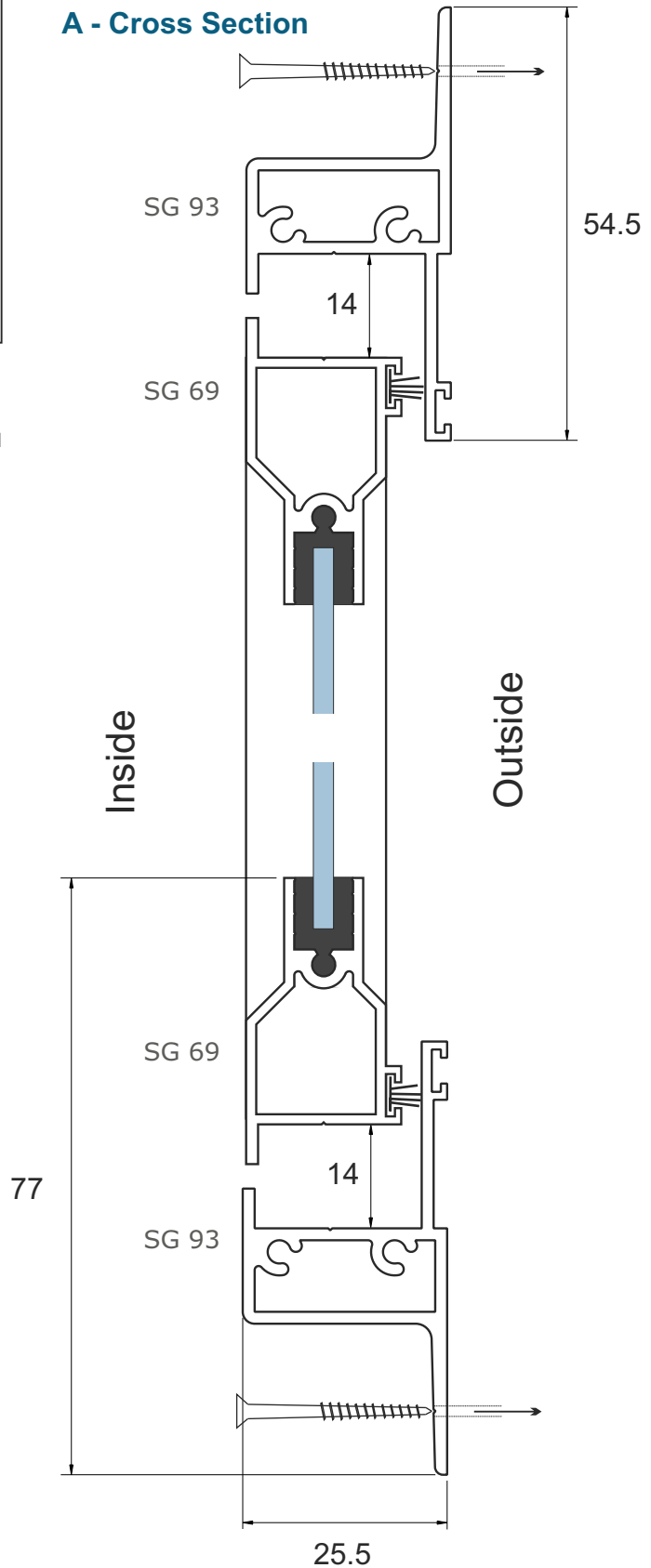
**Double Butt Hinged - Cross Section**



**M** - This indicates the master panel. The other panel is therefore the slave panel.

**Economy Odd Leg - Face Fix**

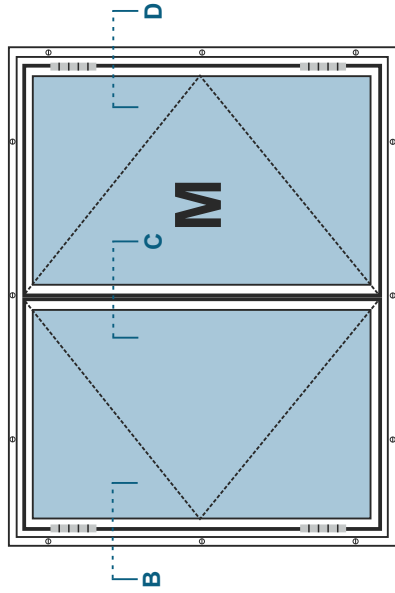
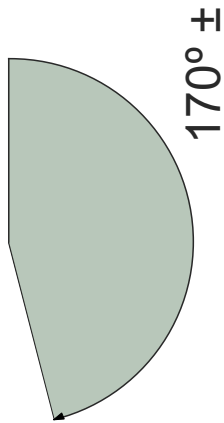
**A - Cross Section**



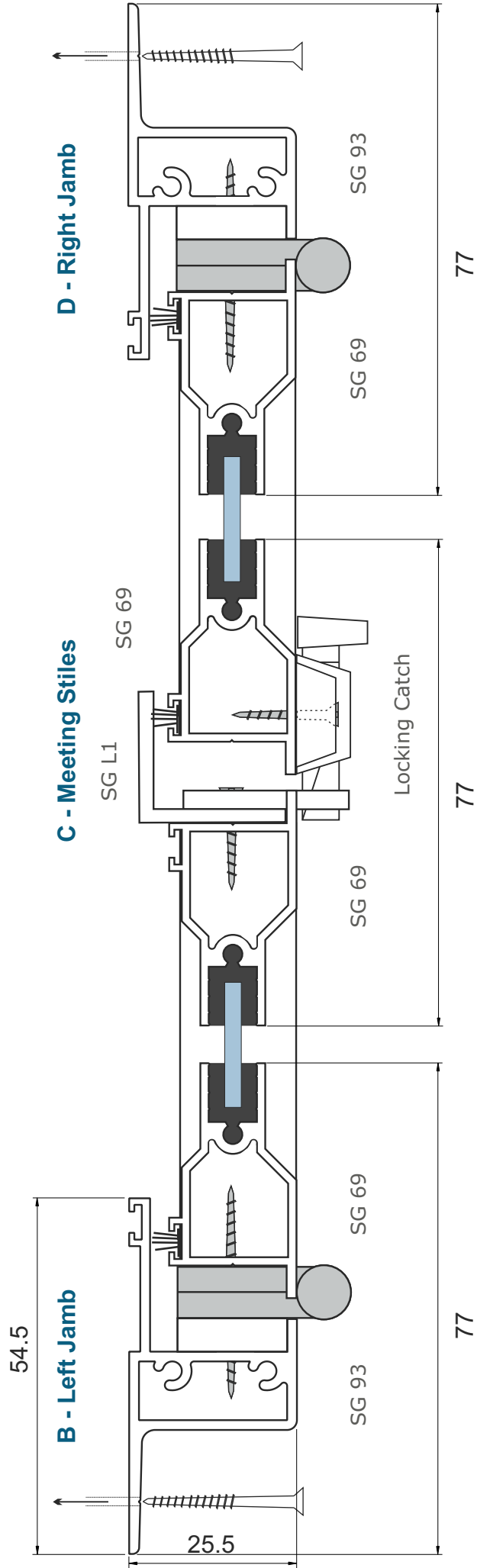
Double Butt Hinged - Plan View

Economy Odd Leg - Face Fix

Max. Opening Angle

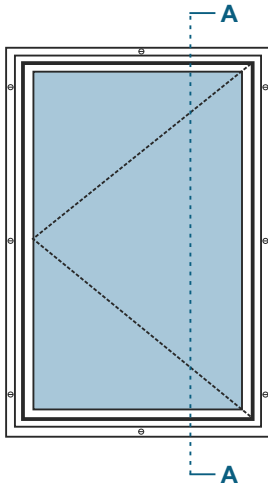


M - This indicates the master panel. The other panel is therefore the slave panel.



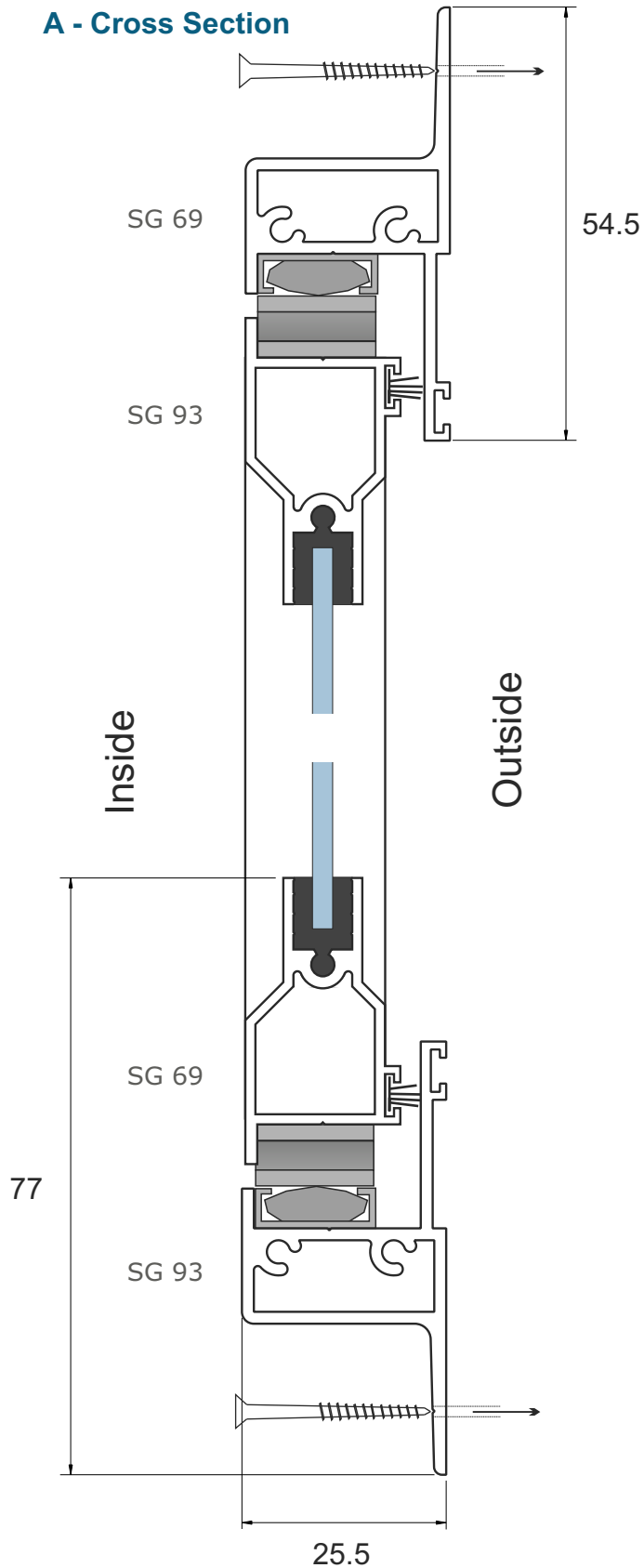


**Friction Hinged - Side Hung - Cross Section**



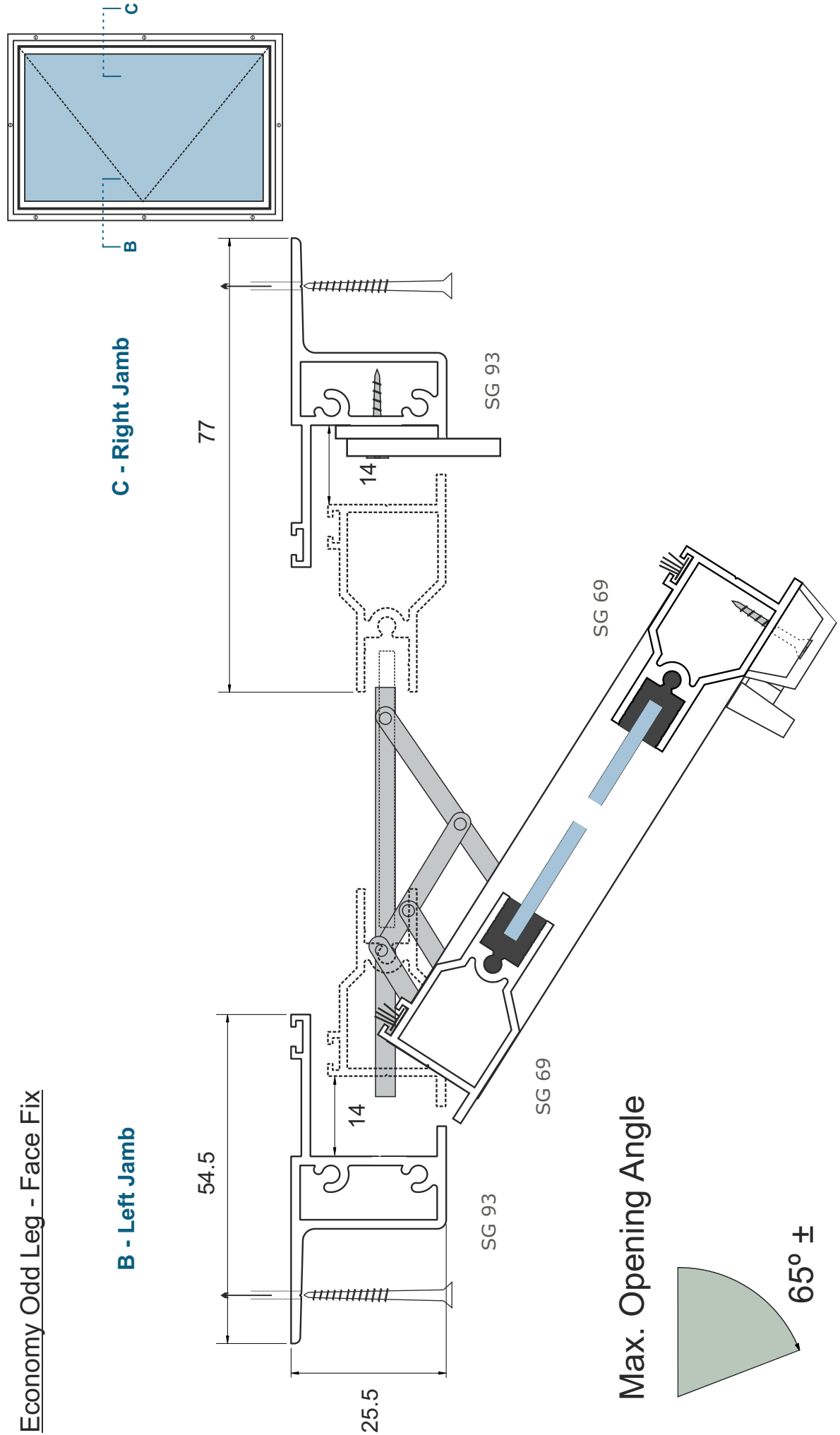
Economy Odd Leg - Face Fix

**A - Cross Section**



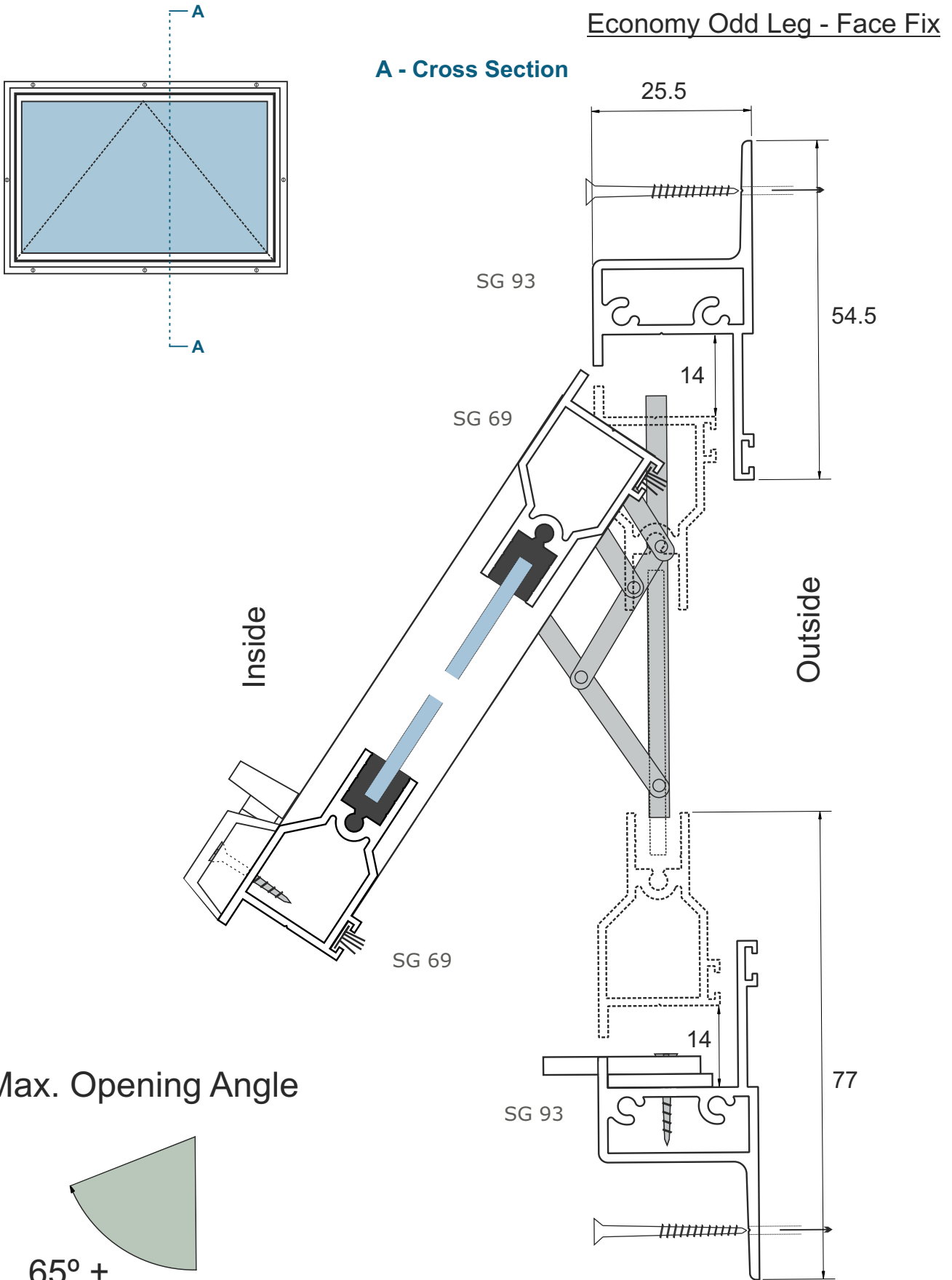
Friction Hinged - Side Hung - Plan View

Economy Odd Leg - Face Fix



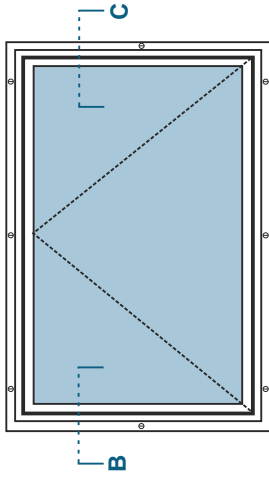


**Friction Hinged - Top Hung - Cross Section**



**Friction Hinged - Top Hung - Plan View**

Economy Odd Leg - Face Fix



**B - Left Jamb**

**C - Right Jamb**

