



DURATION WINDOWS

**Flush Glazed Continental
Folding Doors
Section Identification**

Specification



**DURATION
WINDOWS**

General

Versatile and flexible this market leading aluminium folding door system is available in a wide range of configurations. With a new sash option they can now be flush glazed, which gives makes the doors look almost frameless. The result is clean lines and an elegant contemporary aesthetic. Multiple doors can be combined with open-in or open-out options, in a variety of styles to create a huge clear opening. The narrow profile ensures that maximum glazing is achieved, flooding your room with light.

Combining high security hinges and locking mechanisms with a unique high strength roller design, these aluminium folding doors provide the security and reliability demanded in commercial and high traffic applications. Doors can be manufactured to replace whole walls and a full range of colours are available, including single or dual colours. Marine grade guarantees available on request. Anodised finishes are also available.

System Specification

SECTIONS	The frames are constructed of aluminium alloy extrusion to BS EN 755-9 and BS EN 12020, extruded from 6063 T6 alloy. The internal and external extrusions are separated with a polyamide thermal break.
FINISH	The external aluminium alloy extrusion is pre-treated and finished either; a) Anodised to BS 3987: 1987, grade AA25 to a natural self colour. b) Polyester powder organic coating to BS 6496. Dual colour is also available.
GLAZING	The stepped sealed units are secured in place using glass clamps / toggles and the wrap around frame is constructed around the glass using self tapping screws and mechanical cleats. The glass units can either be 32mm or 44mm by selecting the correct glazing bead.
LOCKING	Multi-point hook locking which locates into stainless steel keeps.

Recommended Sizes

Minimum Width:	1400mm
Maximum Width:	6250mm+ (widths over 6250mm can be achieved with a mechanical join)
Minimum Height:	1600mm
Maximum Height:	2200mm
Maximum Sash Weight:	TBA
Maximum Sash Width:	1000mm

Weather Performance

Weather performance inline with BS6375-1 is as follows:

BS EN 1026: 2000 Air Permeability:	600 Pa
BS EN 1027: 2000 Water tightness:	600 Pa
BS EN 12211: 2000 Resistance to Wind Load:	2400 Pa
U-value: 2000 Thermal Performance:	1.4 W/M ² K

U-values simulated on an open out door at 3000mm x 2100mm, using triple glazed sealed unit 90% argon gas filled with a warm edge spacerbar and a centre pane U-value of 0.6 W/M²K. Values shown to be confirmed by testing.

Duration Windows reserves the right to make changes to the product specification as technical developments dictate, and without prior notice. Pictures shown are for illustrative purposes and are not binding in detail, colour or specification.



Profile Identification

- Key Profiles; Outerframe, Sash & Glazing Beads Page 4
- Low Thresholds Page 5
- Add Ons & Frame Extensions Page 6
- Transoms, Mullions & Midrails Page 7 - 8
- Corner Post & Adaptors Page 9
- Projection Cills Page 10 - 12

Section Identification - Triple Glazed

- Jamb Sections: Open Out Page 13 - 15
- Head Sections: Open Out Page 16 - 17
- Meeting Stiles: Open Out Page 18 - 19
- Threshold Sections: Open Out Page 20
- Transom & Midrail Sections: Open Out Page 21

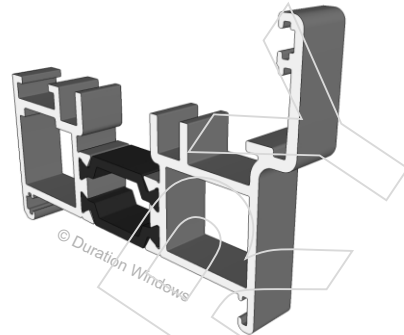
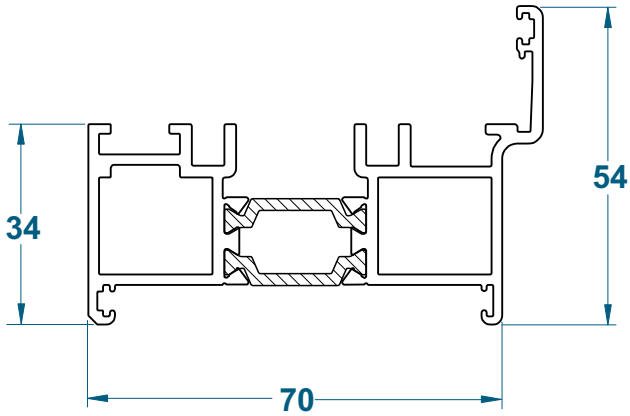
General Arrangements - Triple Glazed

- Three Pane Door, All One Way: Open Out Page 22

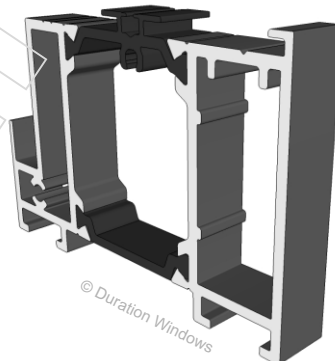
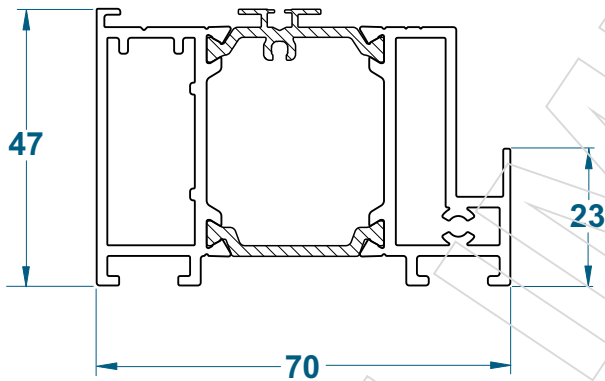


Key Profiles

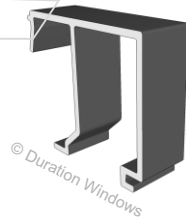
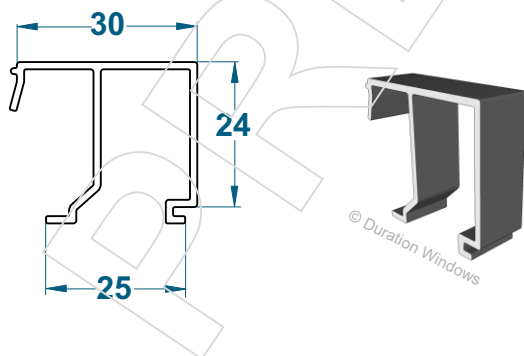
Outer Frame & Std Threshold: P-06-100



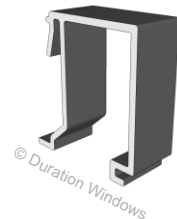
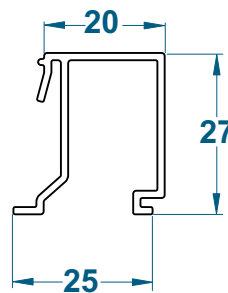
Flush Glazed Sash: P-06-203



32mm Glazing Bead: AW629



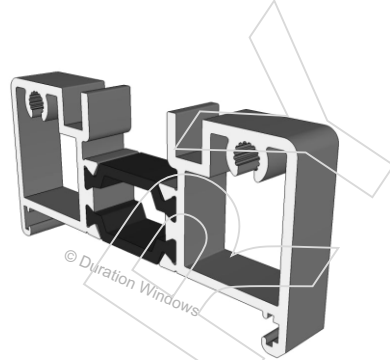
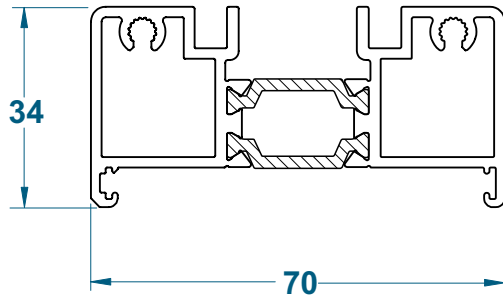
44mm Glazing Bead: AW701



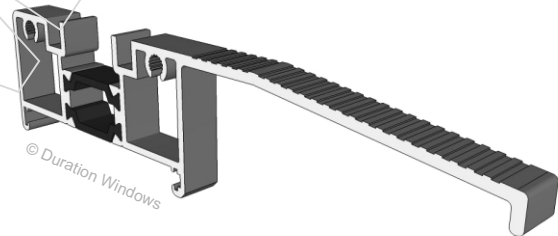
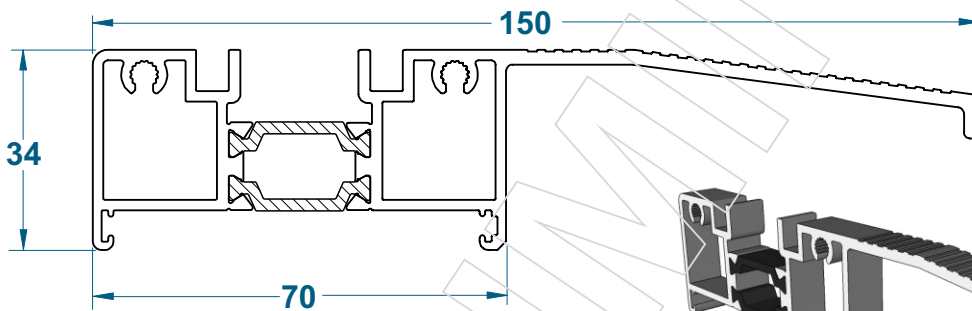


Low Thresholds

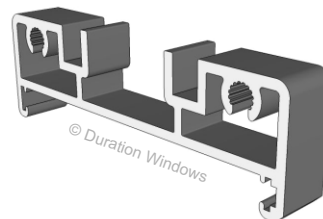
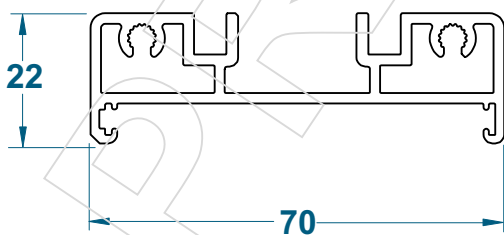
34mm Flush Low Threshold: P-06-130



34mm Ramped Low Threshold: P-06-132

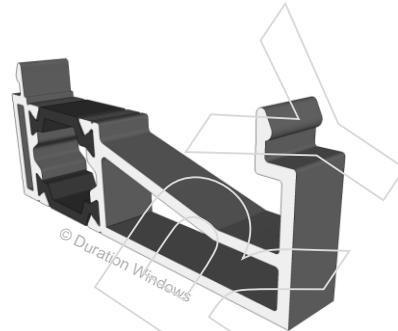
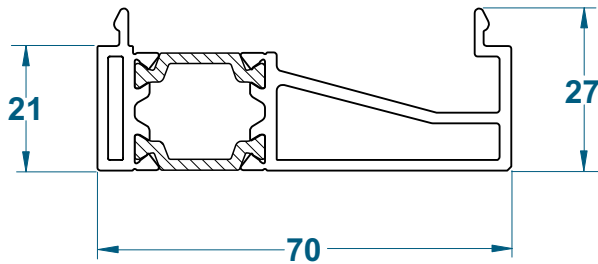


22mm Non-thermal Low Threshold: P-06-131

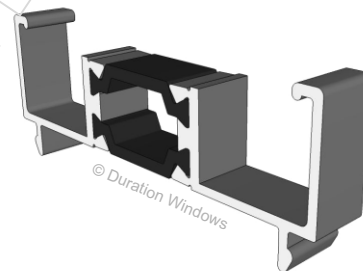
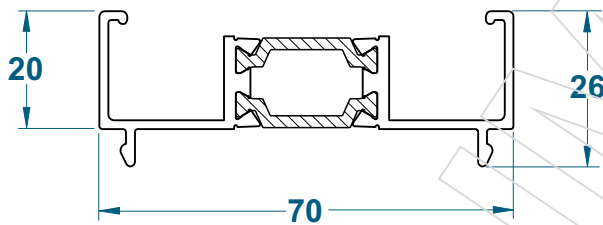




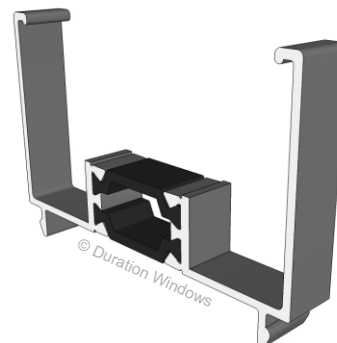
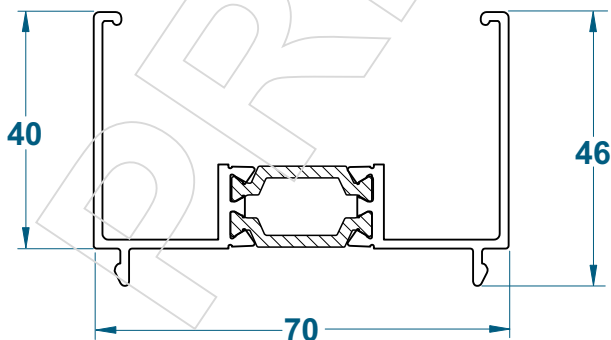
Drainage Tray: P-06-135



20mm Head Extension: AW724



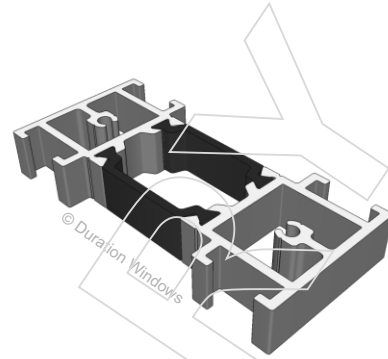
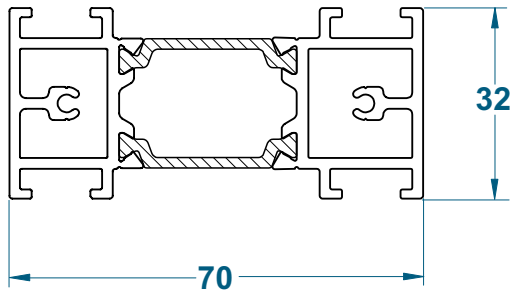
40mm Head Extension: AW728



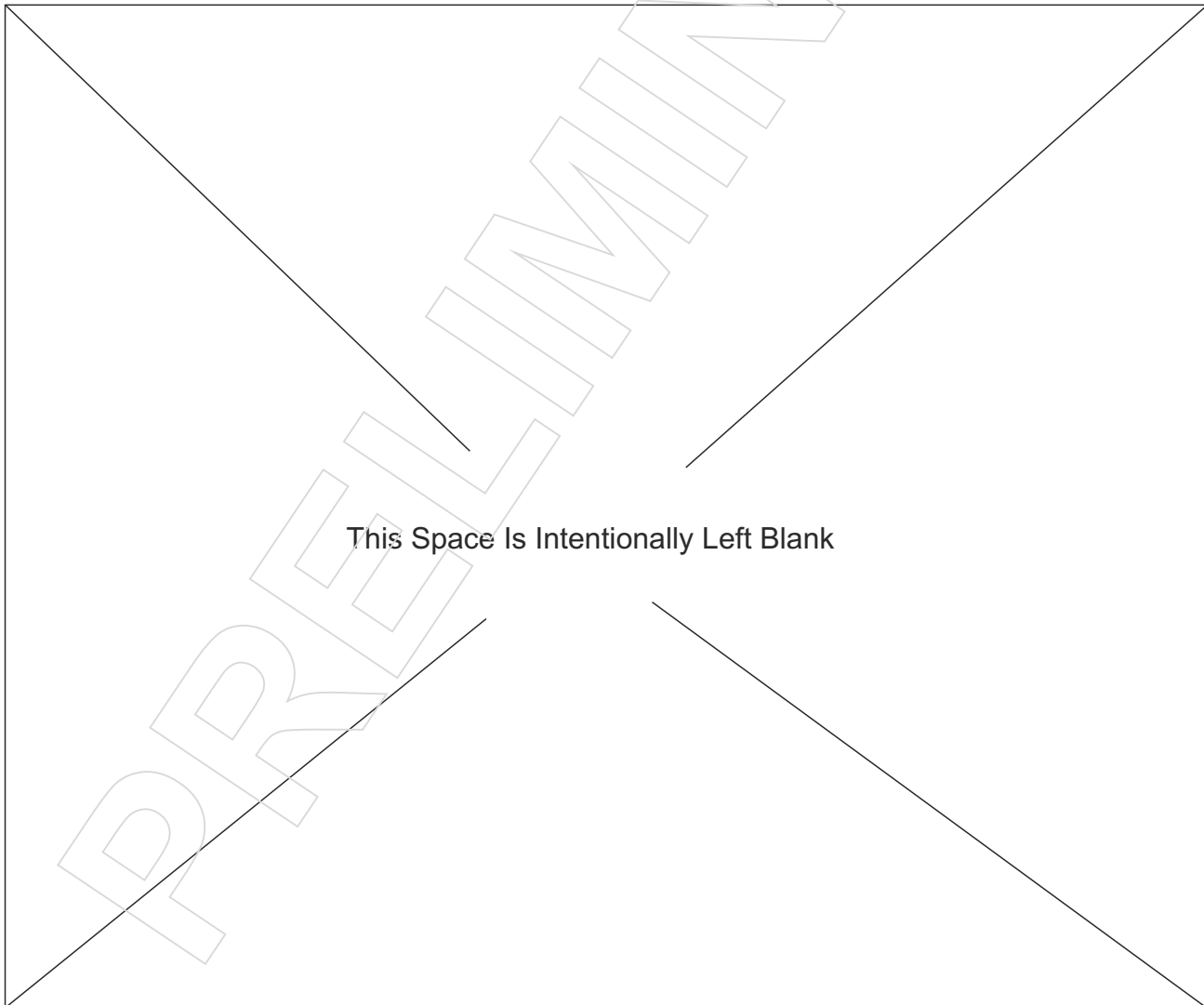
Duration Windows reserves the right to make changes to the product specification as technical developments dictate, and without prior notice. Pictures shown are for illustrative purposes and are not binding in detail, colour or specification.



Floating Mullion: P-06-300



Blank



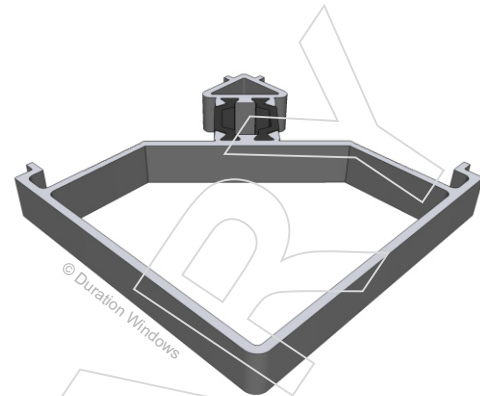
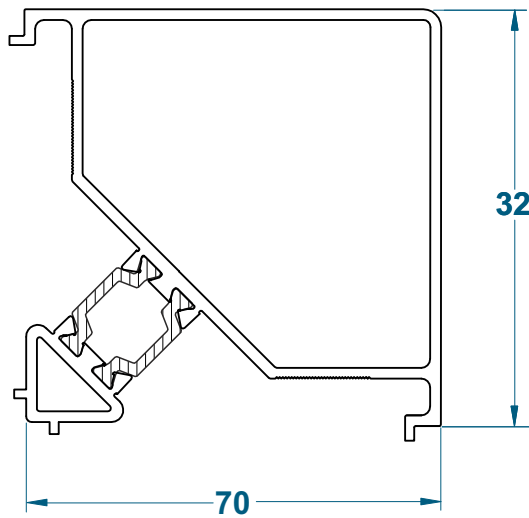
Duration Windows reserves the right to make changes to the product specification as technical developments dictate, and without prior notice. Pictures shown are for illustrative purposes and are not binding in detail, colour or specification.

Corner Posts & Addaptors

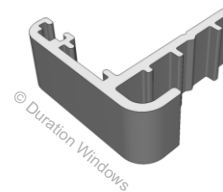
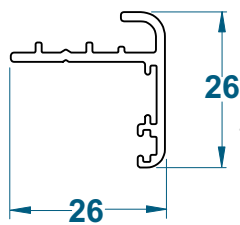


DURATION
WINDOWS

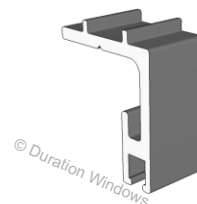
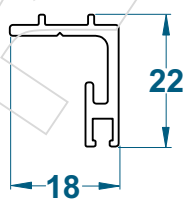
90° Static / Floating Corner Post: AW720



Rebate Adaptor: P-00-210



Threshold Adaptor: P-00-211



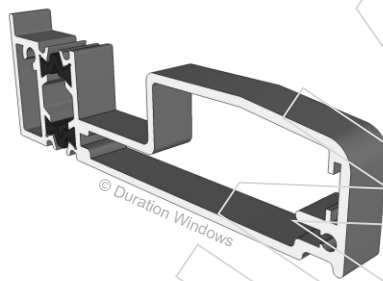
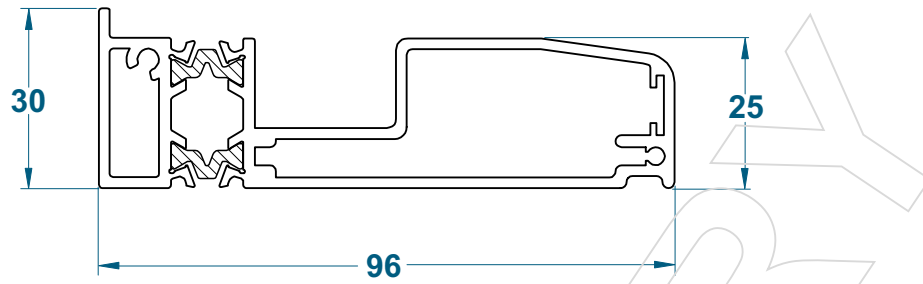
Duration Windows reserves the right to make changes to the product specification as technical developments dictate, and without prior notice. Pictures shown are for illustrative purposes and are not binding in detail, colour or specification.

Projection Cills

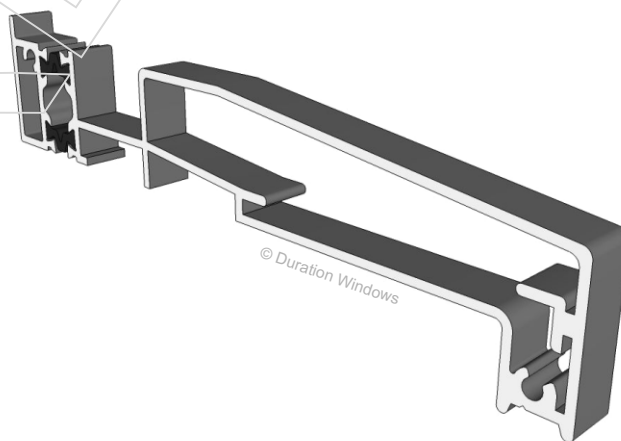
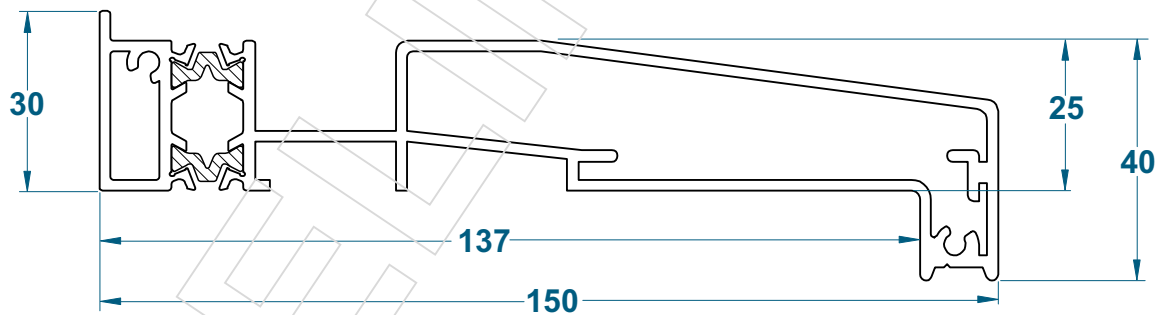


DURATION
WINDOWS

96mm Projection Cill: AW570



150mm Projection Cill: AW542



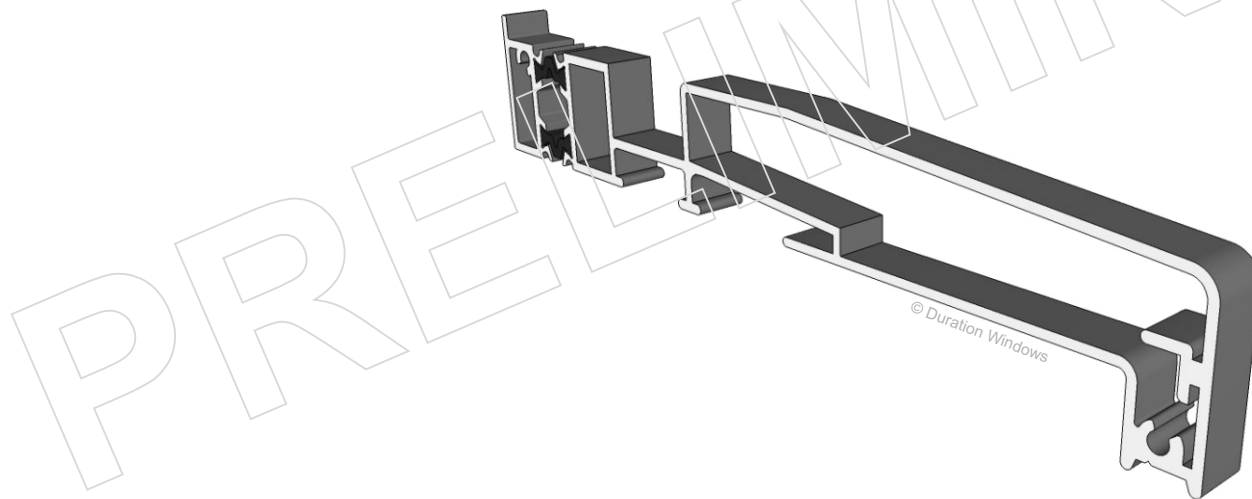
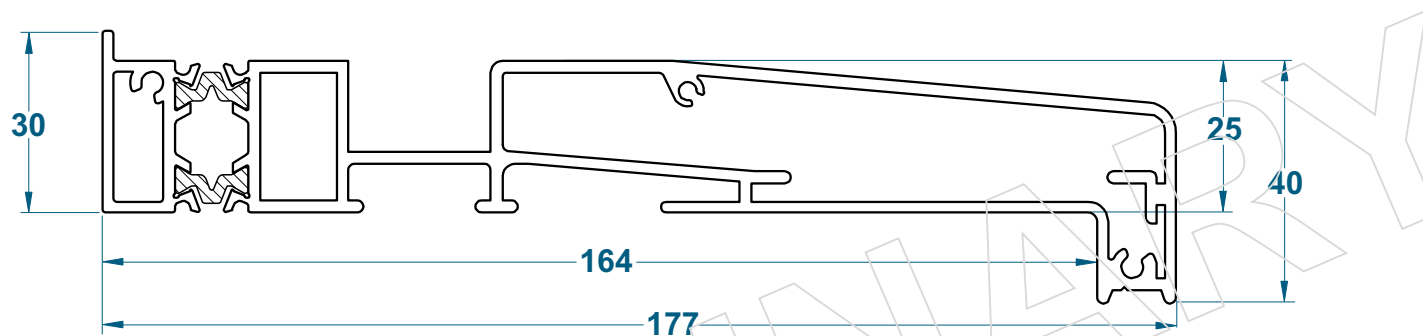
Duration Windows reserves the right to make changes to the product specification as technical developments dictate, and without prior notice. Pictures shown are for illustrative purposes and are not binding in detail, colour or specification.

Projection Cills



DURATION
WINDOWS

177mm Projection Cill: AW543

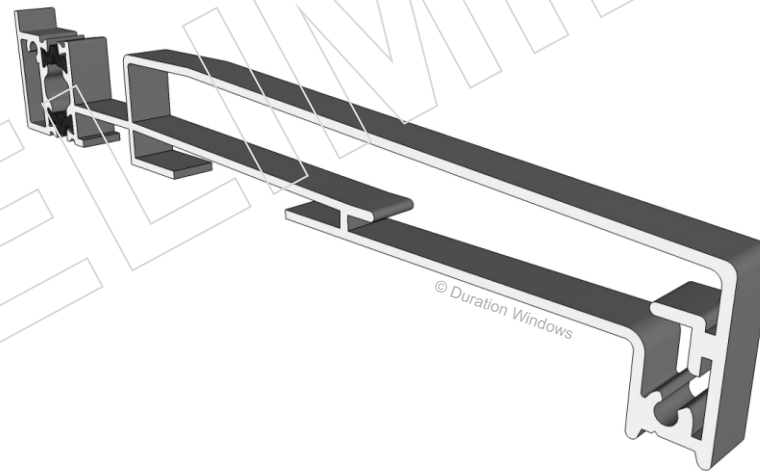
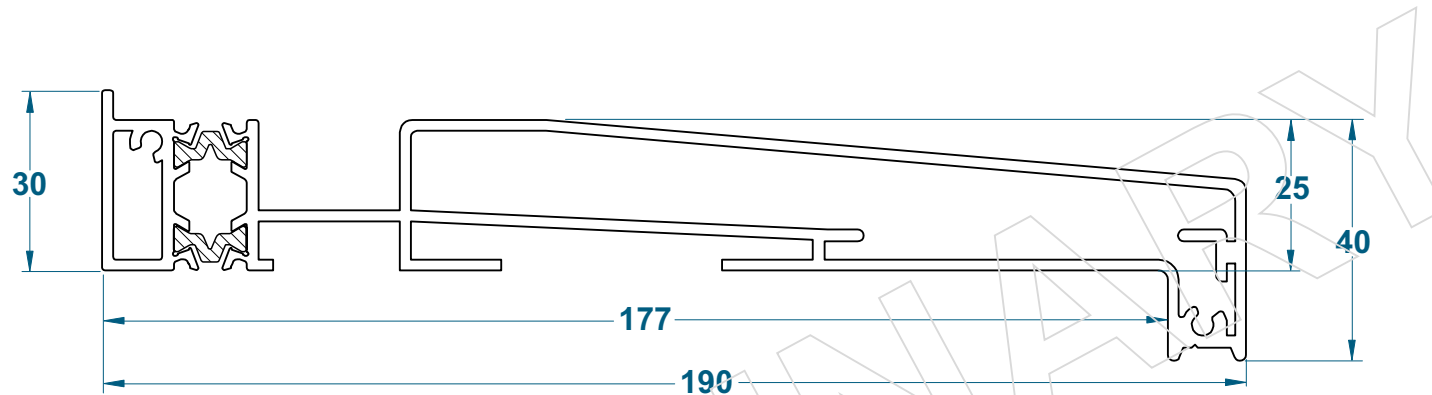


Duration Windows reserves the right to make changes to the product specification as technical developments dictate, and without prior notice. Pictures shown are for illustrative purposes and are not binding in detail, colour or specification.



Projection Cills

190mm Projection Cill: AW542



Duration Windows reserves the right to make changes to the product specification as technical developments dictate, and without prior notice. Pictures shown are for illustrative purposes and are not binding in detail, colour or specification.

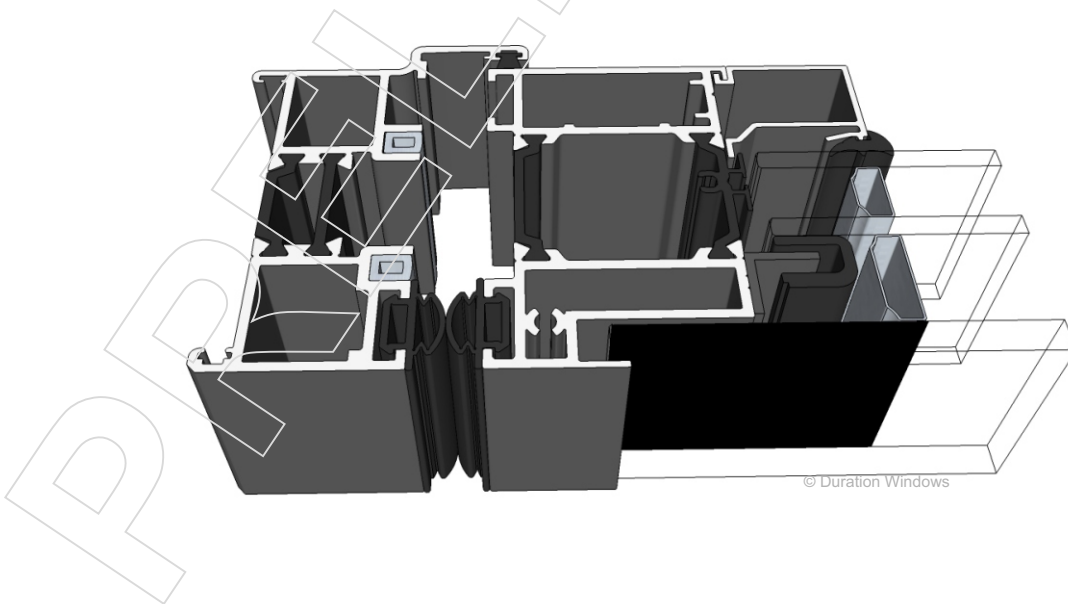
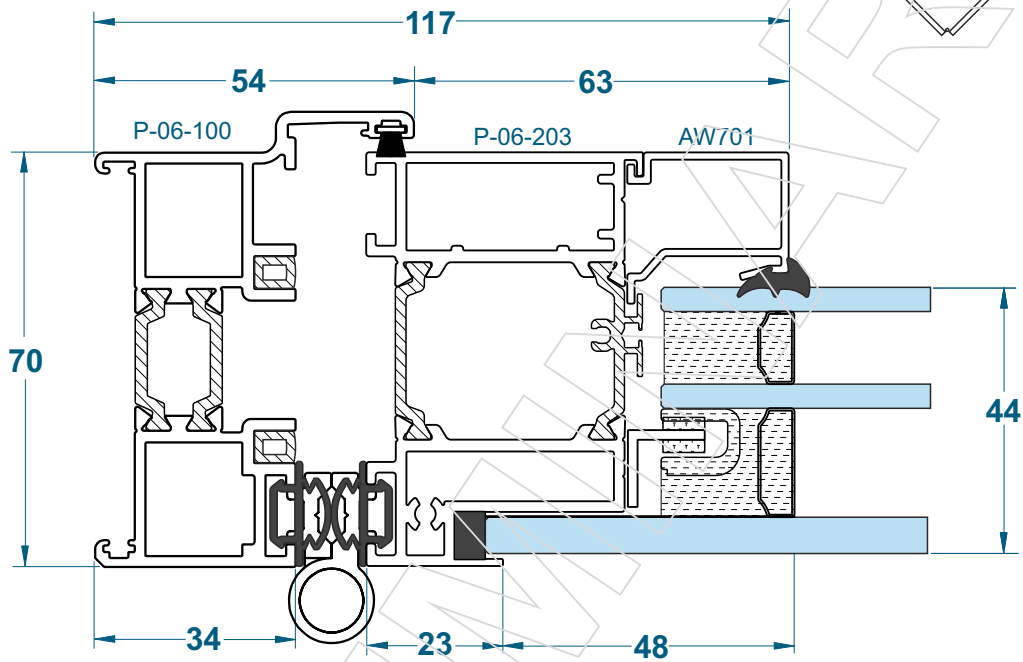
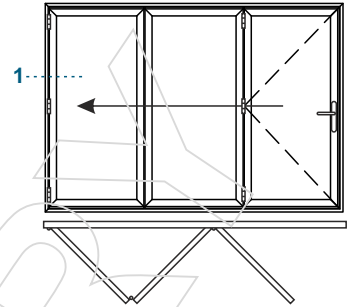
Jamb Sections



DURATION
WINDOWS

Hinge Side Jamb: Open Out

Example: 3 Pane, All One Way



Duration Windows reserves the right to make changes to the product specification as technical developments dictate, and without prior notice. Pictures shown are for illustrative purposes and are not binding in detail, colour or specification.

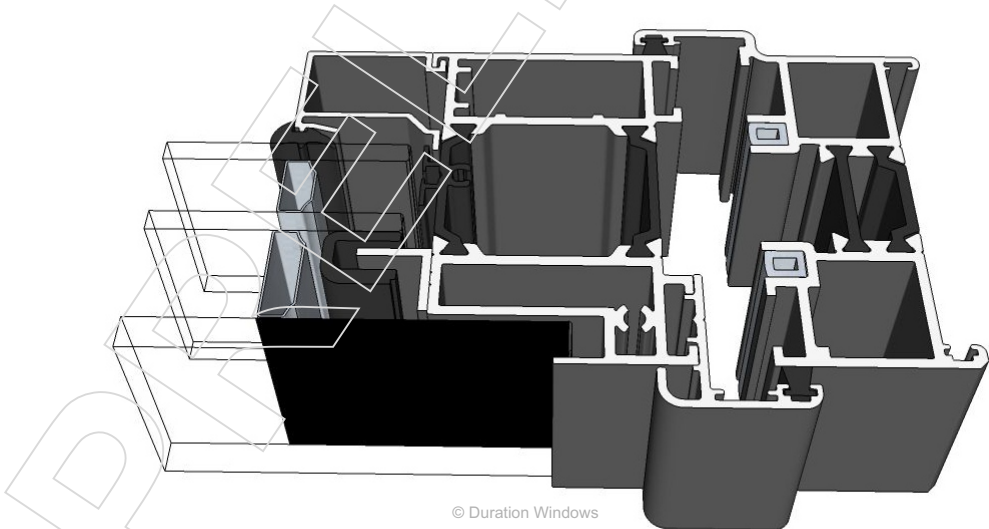
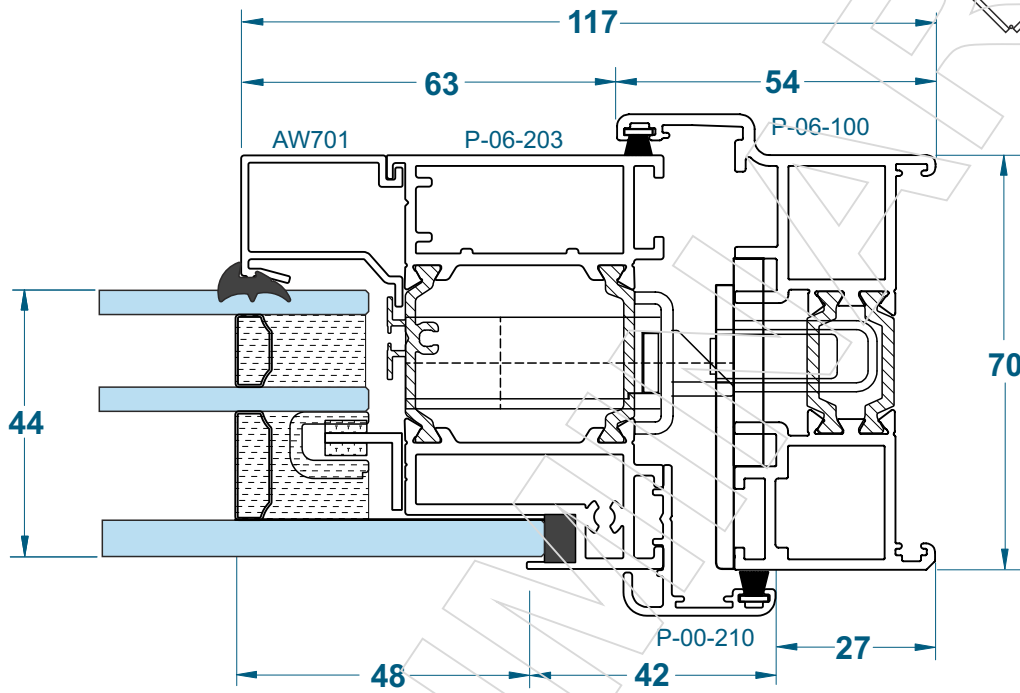
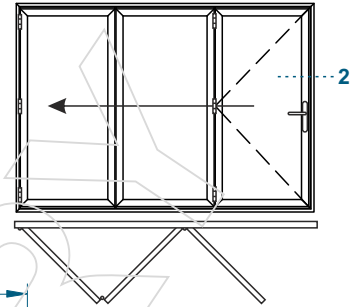
Jamb Sections



**DURATION
WINDOWS**

Locking Jamb / Traffic Door: Open Out

Example: 3 Pane, All One Way

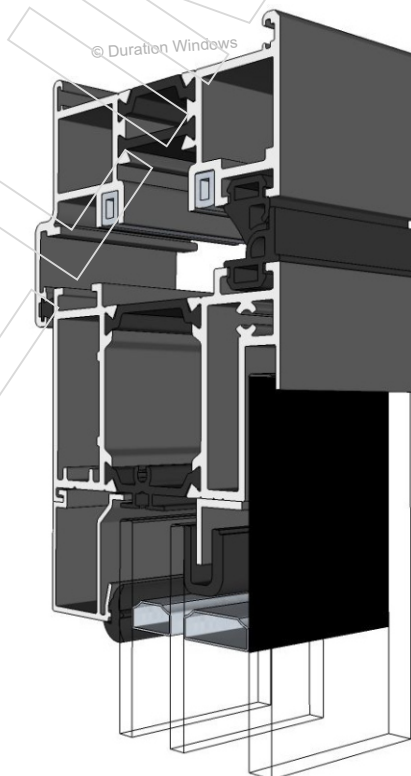
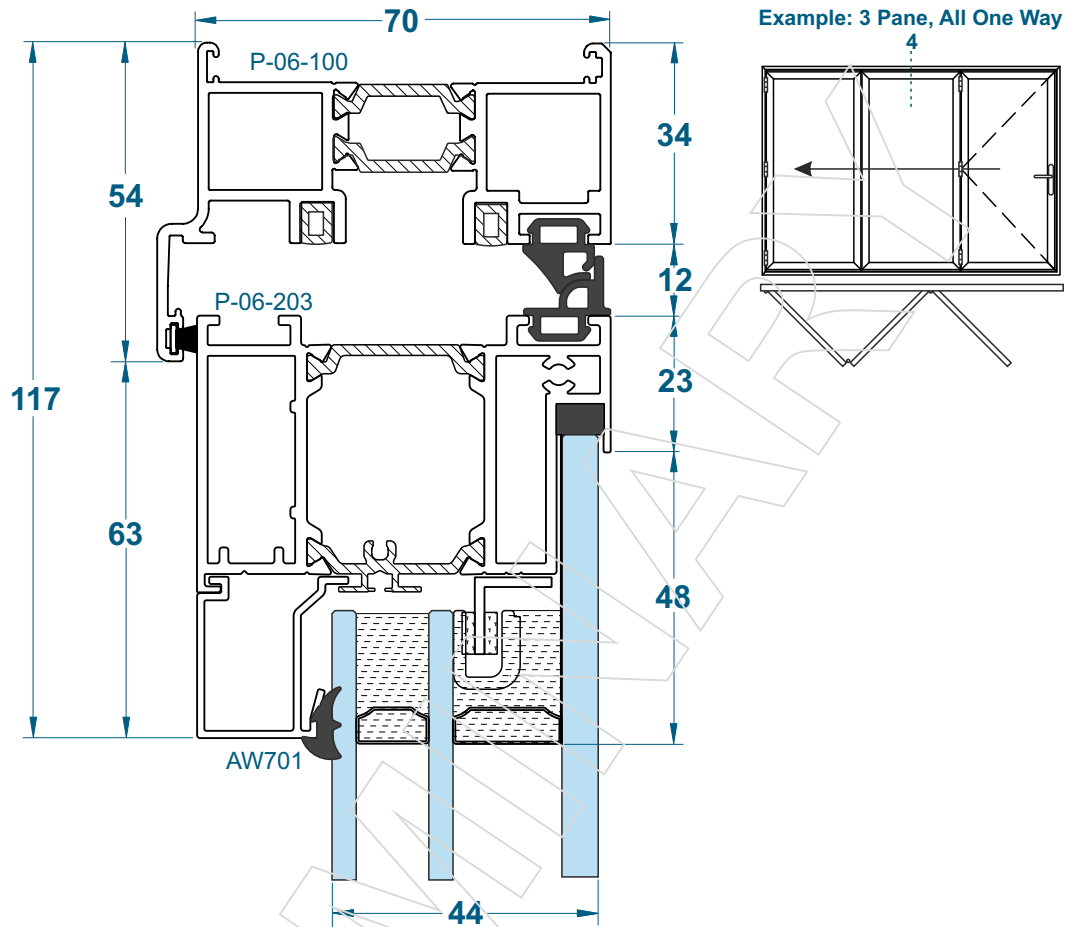


© Duration Windows

Duration Windows reserves the right to make changes to the product specification as technical developments dictate, and without prior notice. Pictures shown are for illustrative purposes and are not binding in detail, colour or specification.



Head Section: Open Out



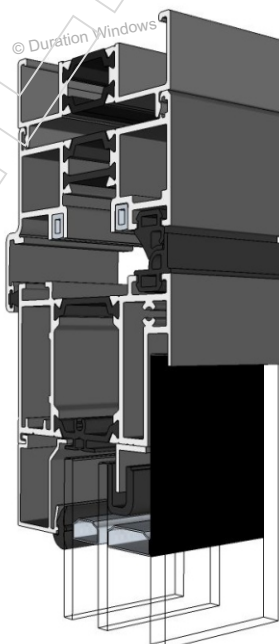
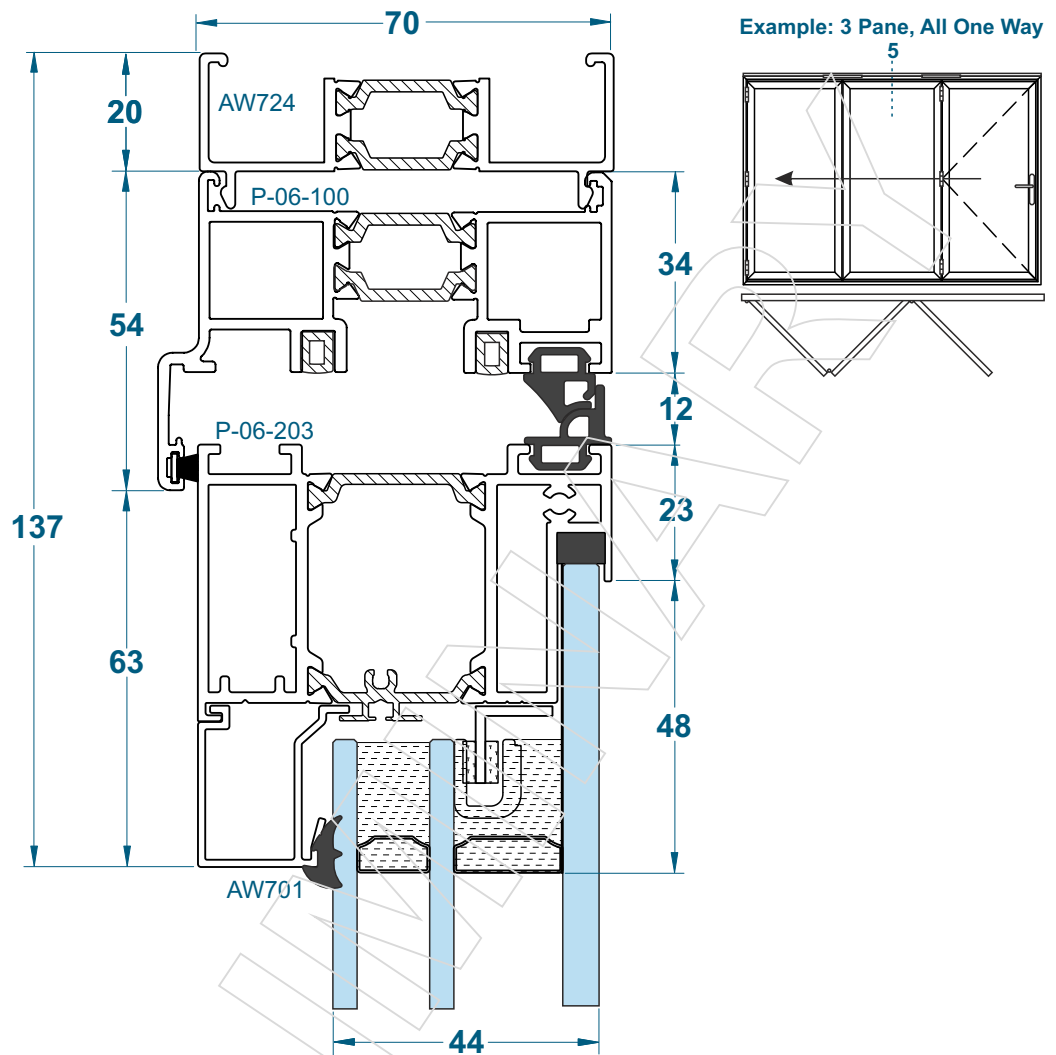
Duration Windows reserves the right to make changes to the product specification as technical developments dictate, and without prior notice. Pictures shown are for illustrative purposes and are not binding in detail, colour or specification.

Head Sections



DURATION WINDOWS

Head Section With A 20mm Head Extension: Open Out

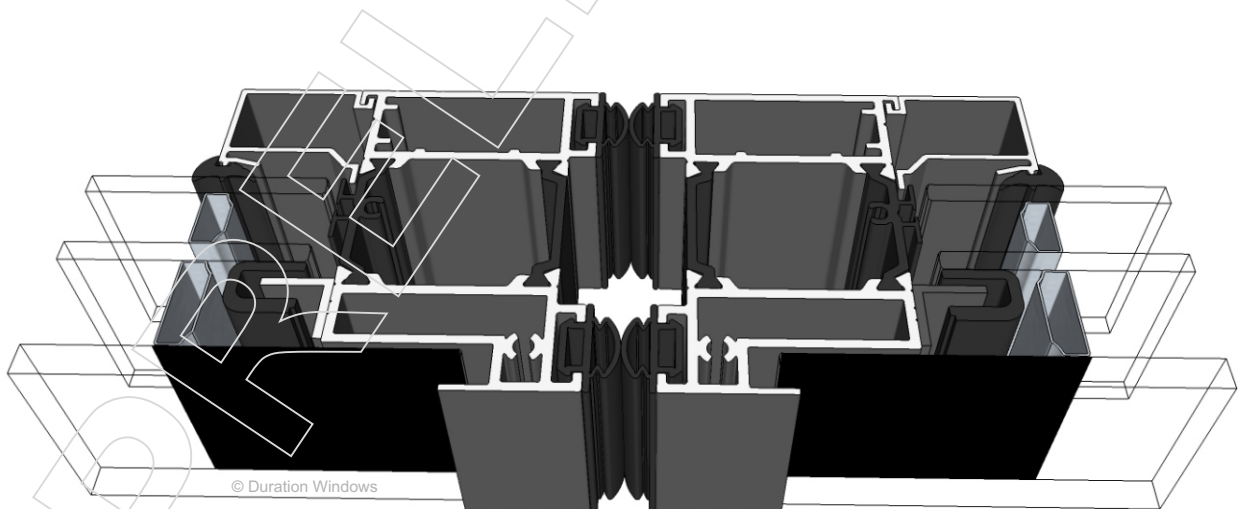
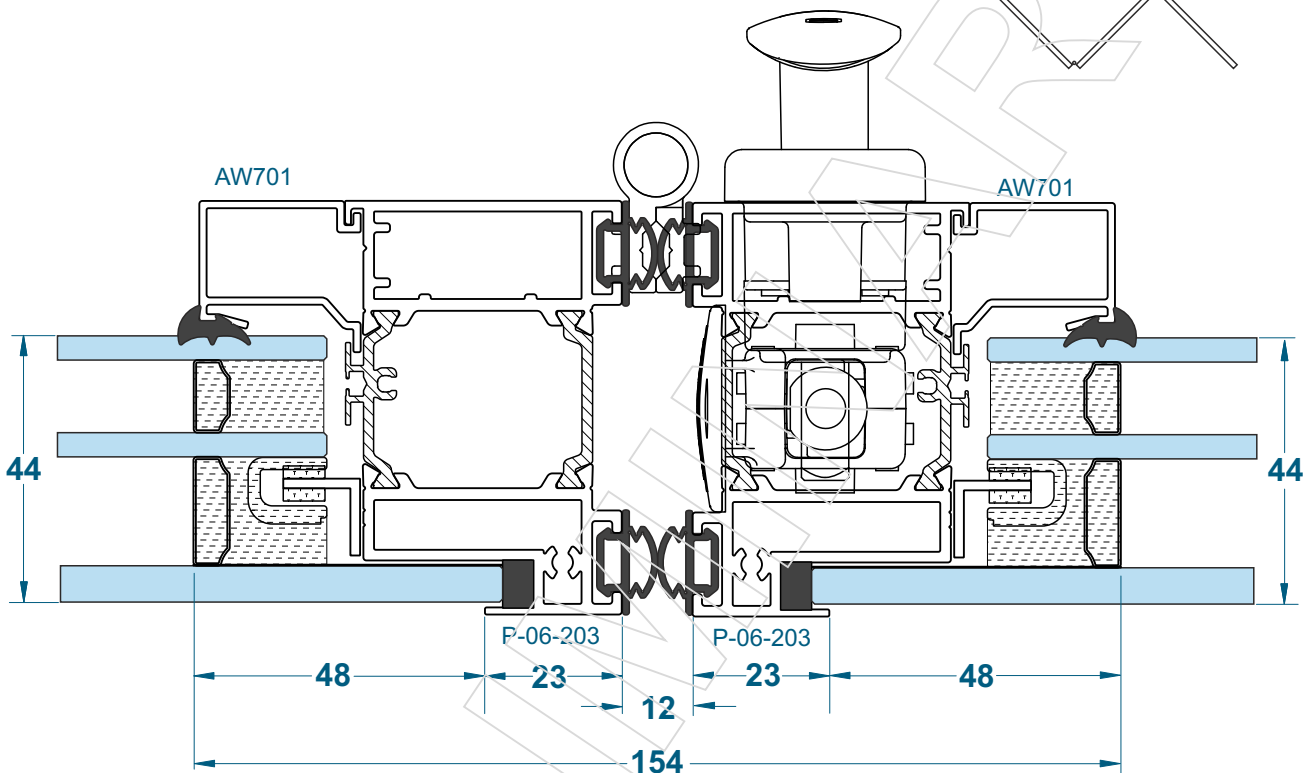
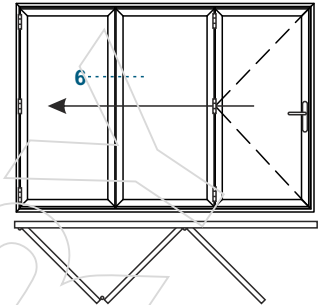


Duration Windows reserves the right to make changes to the product specification as technical developments dictate, and without prior notice. Pictures shown are for illustrative purposes and are not binding in detail, colour or specification.



Locking Meeting Stile: Open Out

Example: 3 Pane, All One Way



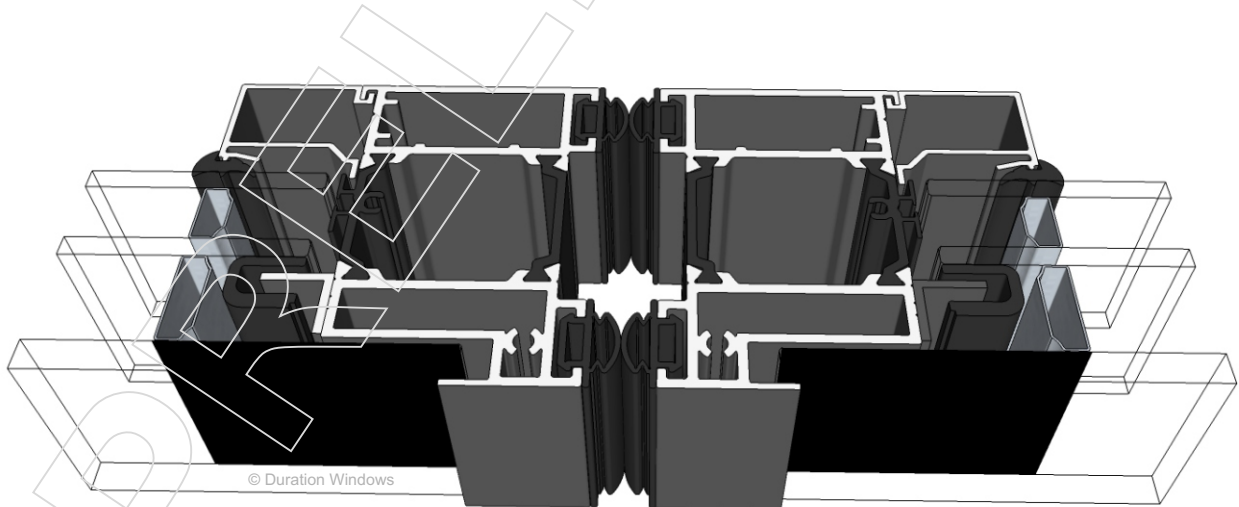
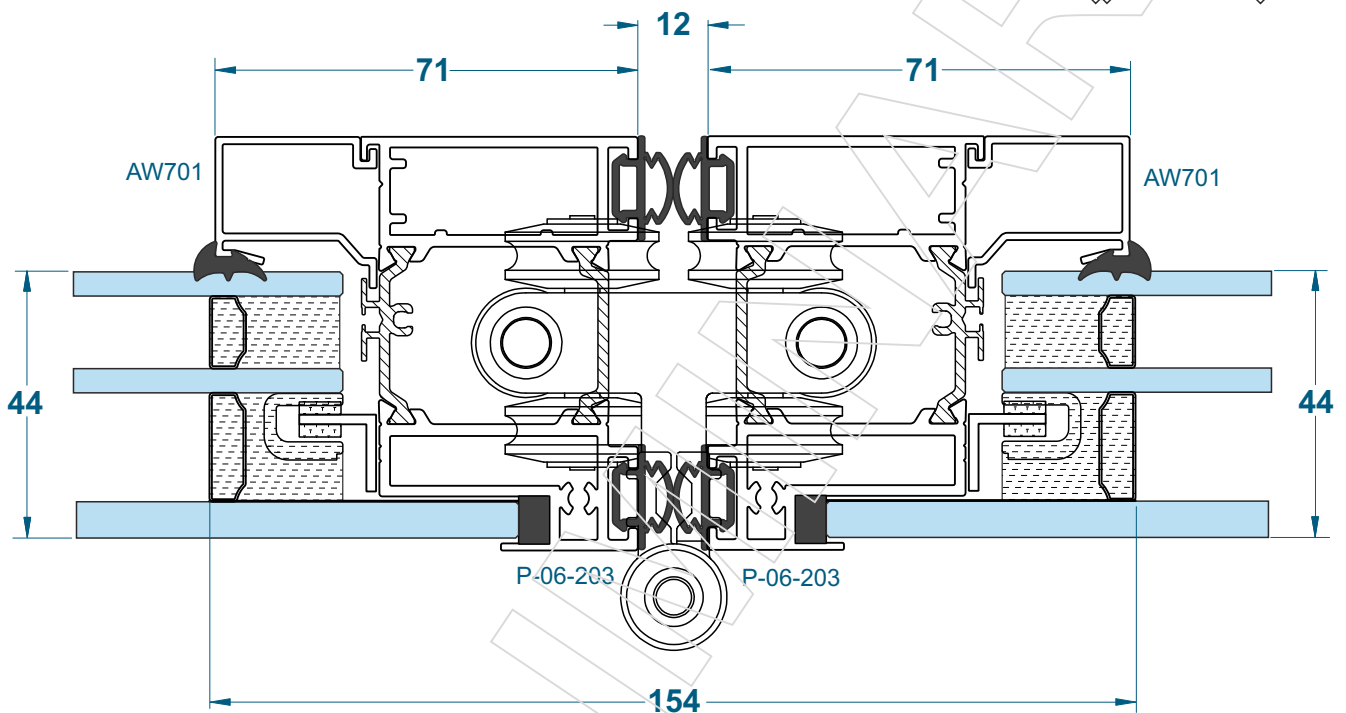
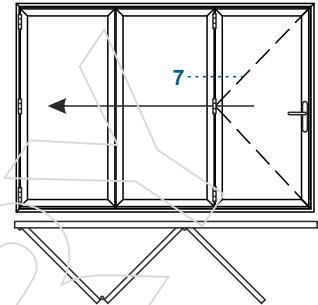
© Duration Windows

Duration Windows reserves the right to make changes to the product specification as technical developments dictate, and without prior notice. Pictures shown are for illustrative purposes and are not binding in detail, colour or specification.



Bogie Wheel Meeting Stile: Open Out

Example: 3 Pane, All One Way



© Duration Windows

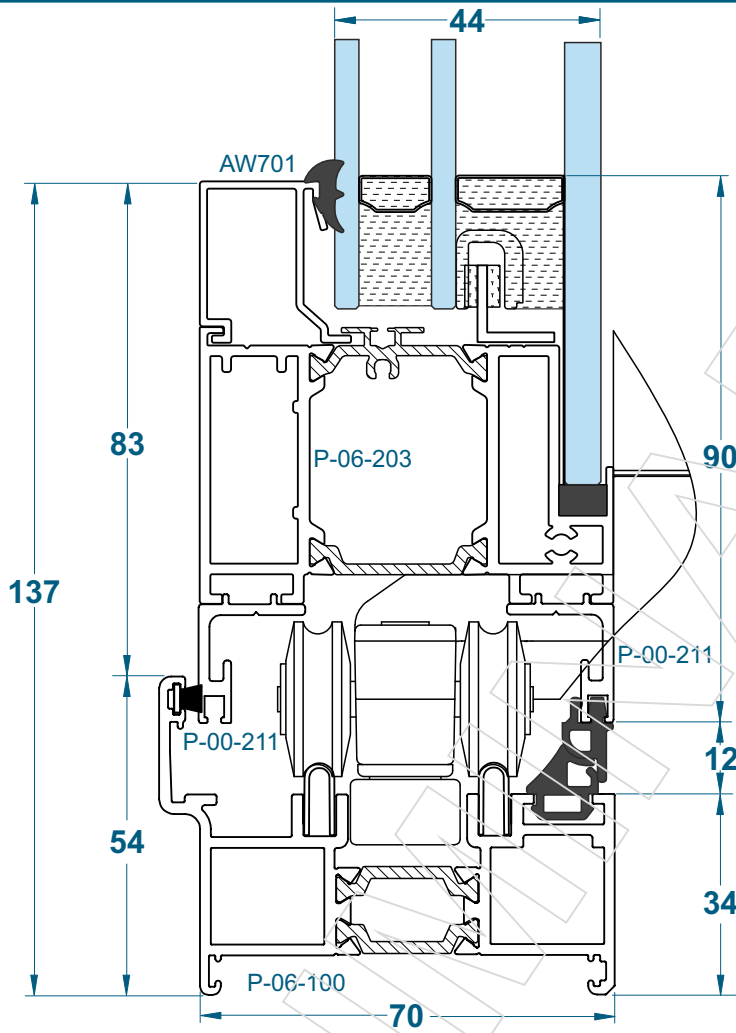
Duration Windows reserves the right to make changes to the product specification as technical developments dictate, and without prior notice. Pictures shown are for illustrative purposes and are not binding in detail, colour or specification.

Threshold Sections

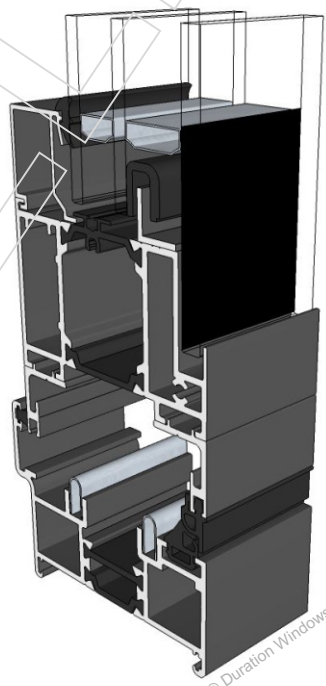
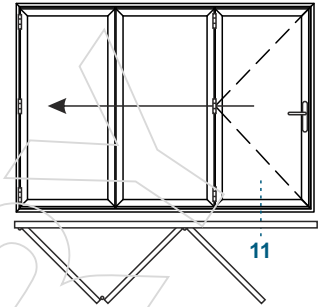


**DURATION
WINDOWS**

54mm Standard Rebated Threshold: Open Out



Example: 3 Pane, All One Way



This Threshold is Fully Weather Rated.

Duration Windows reserves the right to make changes to the product specification as technical developments dictate, and without prior notice. Pictures shown are for illustrative purposes and are not binding in detail, colour or specification.

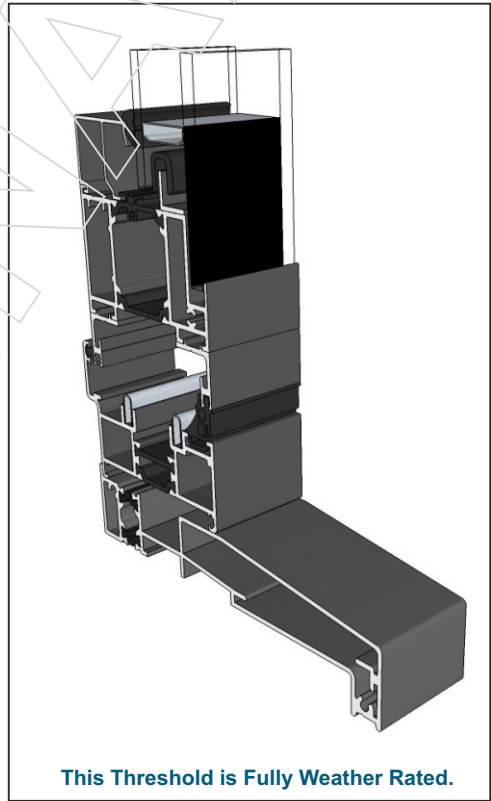
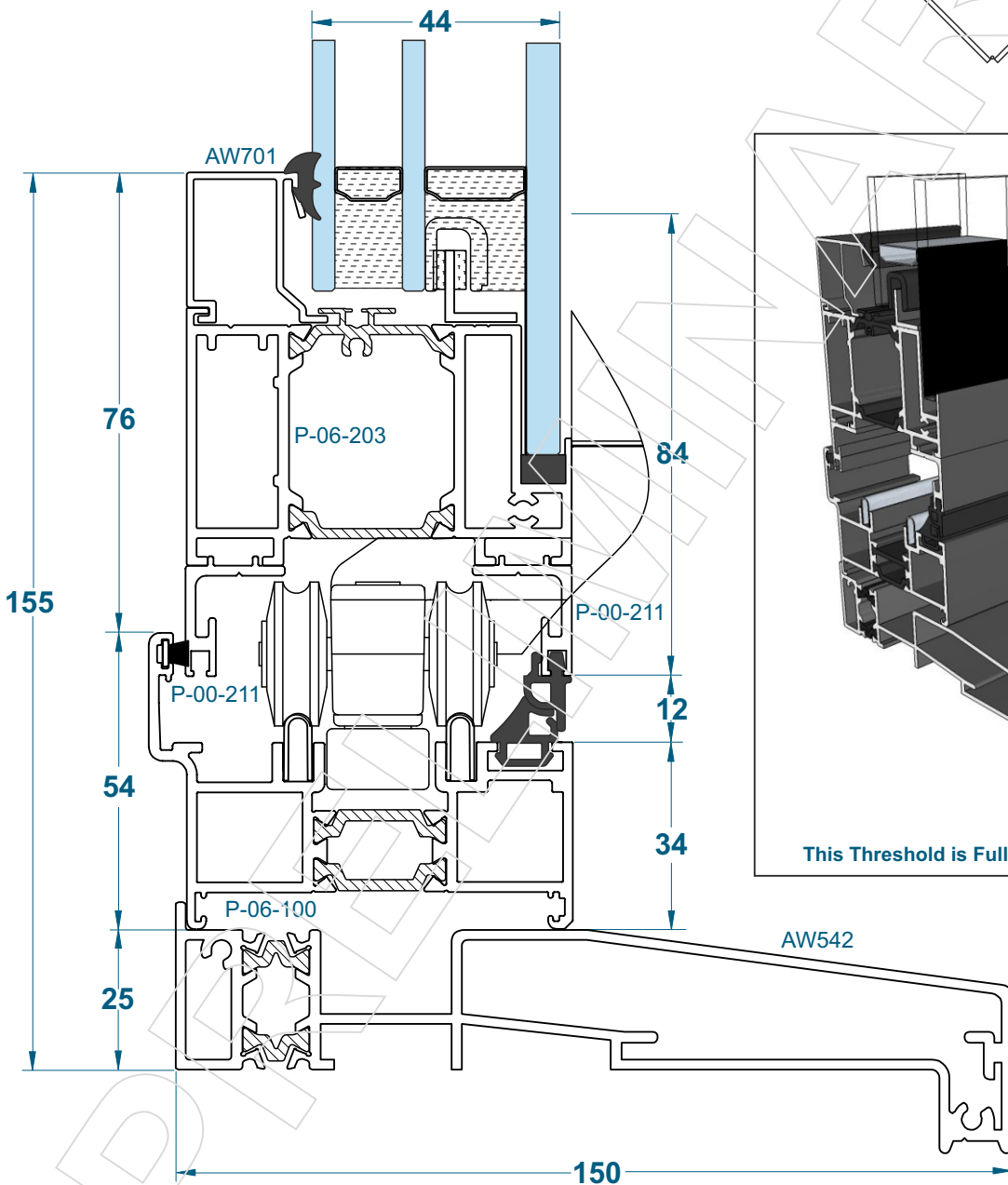
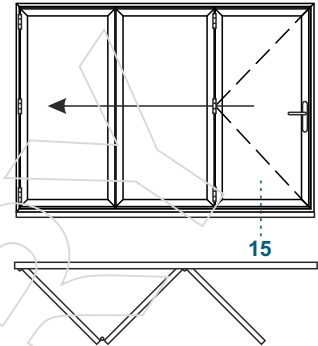
Threshold Sections



**DURATION
WINDOWS**

Standard Threshold With 150mm Projection Cill: Open Out

Example: 3 Pane, All One Way



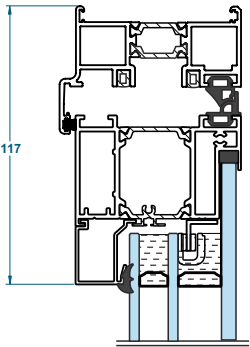
Duration Windows reserves the right to make changes to the product specification as technical developments dictate, and without prior notice. Pictures shown are for illustrative purposes and are not binding in detail, colour or specification.



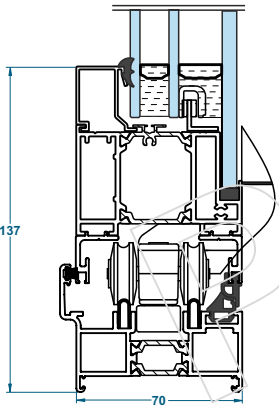
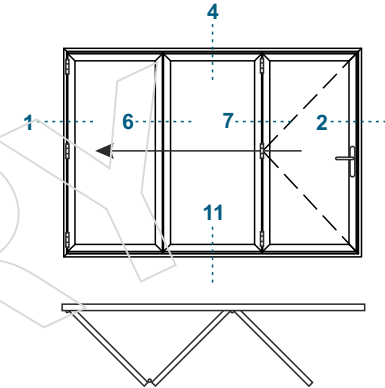
General Arrangements

Three Panel All One Way: Open Out

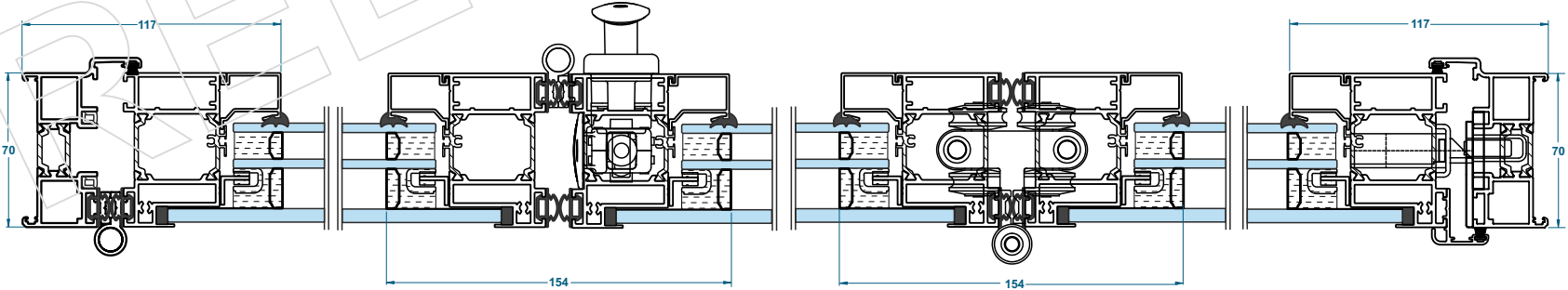
Vertical Cut Through



Section No#	Description	Sight-line
1	Hinge Jamb	117mm
2	Locking Jamb	117mm
4	Head	117mm
6	Meeting Stile	154mm
7	Meeting Stile	154mm
11	Threshold	137mm



Horizontal Cut Through



Duration Windows reserves the right to make changes to the product specification as technical developments dictate, and without prior notice. Pictures shown are for illustrative purposes and are not binding in detail, colour or specification.