

**Professional
Fixing & On Site
Instruction Service
Available**
Please Ask For Details

Aluminium Continental Folding Doors

Thermally Efficient • Easy Glide • Secure • Low Maintenance



Duration Windows

Units 4-5,
Charfleets Road,
Canvey Island,
Essex. SS8 0PQ

t: 01268 681612 (15 lines)
f: 01268 510058
e: sales@duration.co.uk
w: www.duration.co.uk



DURATION WINDOWS

Supplying high quality aluminium products since 1985

Bi-folding Doors

Our 'Continental' folding doors create an open, flexible, modern space for both living and working environments. Designed with the input of Belgium expertise and our extensive experience in bifolding doors, we believe that these are one of the best all round bifolding doors on the market.

These bifolding doors give you more than a 90% opening, and use a uniquely designed pop-out T-handle that allows for very tight stacking panels. Low threshold options allow for flush floor levels and reduce the step over. Colour co-ordinate your doors with a huge range of colours and optional colour matched handles and hinges. These doors can come with Self Cleaning or Solar Control glass and integrated blinds can be added for privacy and style without the dusting!

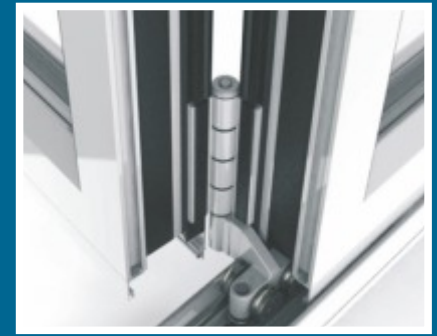


Features

- A wide range of standard colours including White, Black, Light Grey, Dark Grey & Brown. Textured, Woodgrain or any RAL finish also available - in single or dual colours. Dual colours allow different colours inside and out.
- Handles, hinges etc. come in a range of standard colours, or they can be finished in any RAL colour upon request...colour customise your doors!
- 2 to 7 panel options as standard. For 8+ panels please ask.
- Threshold options include Standard, Low, Low Ramped and Room Divider.
- Doors open in or out, with most styles offering traffic door access. Extra high security locking cylinder. 4 point locking to traffic doors. High security shoot bolts to folding panels.
- Four heavy duty stainless steel bogie wheels run on a stainless steel track, with dedicated guides for increased stability and added security.
- Self Cleaning glass, Solar Control glass & Integrated Blinds available. Angled (chamfered) or square glazing bead - 28mm Low-E, Argon gas filled sealed units - internally glazed for added security.
- Lever-lever handle on the traffic door & 'Funky' T-handles on intermediate panels, all in a variety of finishes.
- High weather performance and exceeds the building regulations.
- U values of just 1.7 W/M²K, air & water tightness of 600 Pa, can withstand wind loadings of up to 2400 Pa.
- Slim 70mm Polyamide thermally broken non-rusting aluminium profiles.
- Slim site-lines: Head - 110; Jambs - 110; Interlock - 140.
- Trickle vents available in head extension.
- All styles open in and out and most styles have outside access.
- Also available as a Bi-folding window.



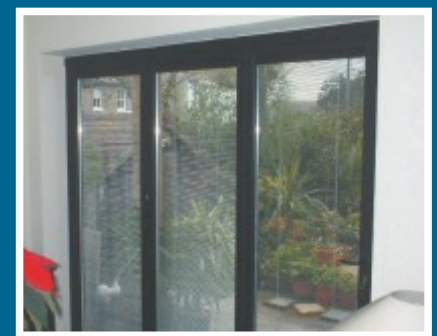
Ideal As A Room Divider



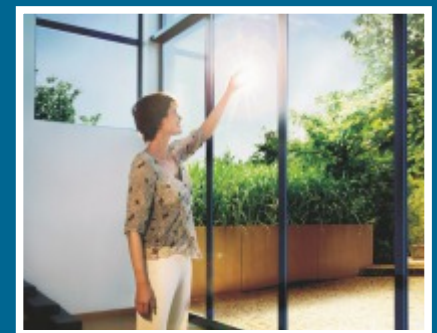
Stainless Steel Wheels & Track



Lockable Pop-out T-handle



Integrated Blinds



Self Cleaning And Solar Glass

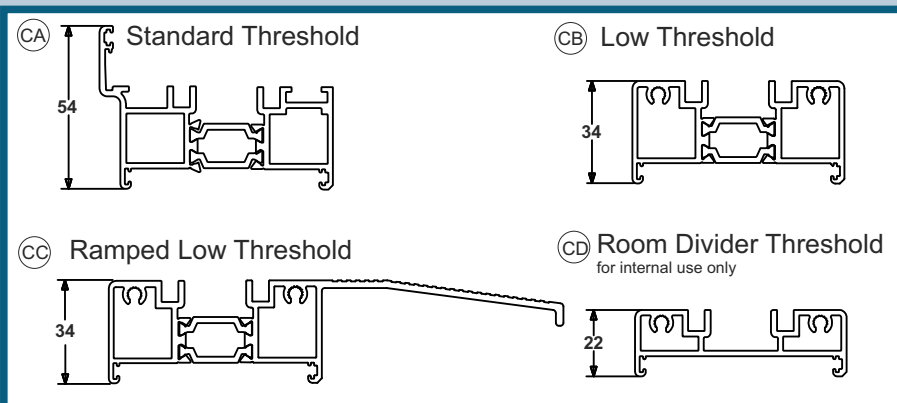
Traffic Doors

A traffic door allows you to have the freedom to pop in and out of the garden without having to slide and fold any panels - just like you would with a conventional back door. If your chosen style does not include a traffic door there is no outside access and at least two panels must be folded to open the doors.

Bi-folding doors slide in two's, so an uneven number of panels folding in any direction will always result in an odd panel that can operate independently of the sliding panels. This odd (spare) panel is known as a traffic door, and offers both inside and outside access using a standard lever-style door handle. For example, a 3 pane door can be either a 2-1 split, or 3 panels all folding one way and both types have a traffic door. On a 4 pane door you must have a 3-1 split to gain a traffic door. A traffic door is not always required as you may decide another door close by will be your main access to the garden.

Threshold Options

The bottom part of outer frame is referred to as the threshold. This is the part of the frame you step over going in and out of your room. Our standard threshold gives the best weather ratings and is usable on upper floor levels. Dropping any of our thresholds into the floor will give you flush internal floor levels and minimal step over - see our thresholds booklet, available on our website for more info. To create flush floor levels inside and out you need to use one of our low threshold options. See below:



Performance

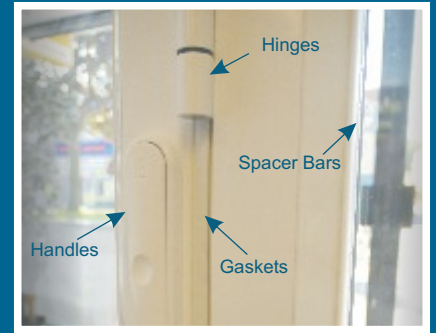
These high performance bi-folding doors exceed the current and October 2010 building regulations. These doors benefit from Low-E, Argon gas filled sealed units with a 1.2 centre pane value, with toughened safety glass as standard. They are weather tested to the highest standards, with a wind resistance of 2400 Pa and U values of only 1.7 W/M² K.

Our doors are fitted with high quality hardware and run on four wheel bogie assemblies that travel on twin stainless steel tracks. The bogie wheel assemblies have a dedicated guide that provides improved stability, resulting in easy graceful operation for years to come.

Security

All intermediate doors have heavy duty shoot bolts that secure the doors top and bottom and are operated by T-handles. Traffic doors have high security multipoint locking consisting of two substantial hook locks, latch and dead bolt. We also fit an extra-high security anti-snap, anti-bump locking cylinder as standard. The dedicated guide on each of the bogie wheel assemblies runs within the outerframe, preventing the doors from being forced out of the frame.

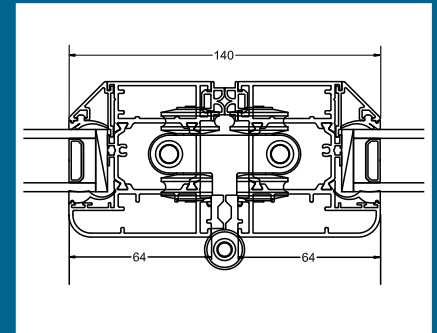
Contact Us For More Information



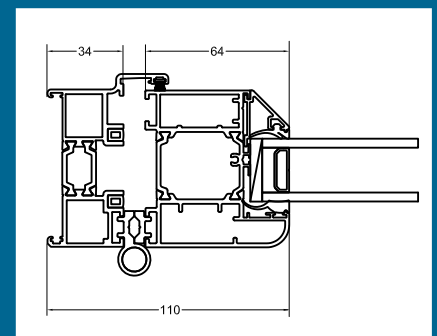
Colour Co-ordinated Furniture



Anti-Snap, Anti-Bump Cylinder



Slim Interlocks - Just 140mm.



Jamb / Outerframe & Door Leaf



Ramped Low Threshold

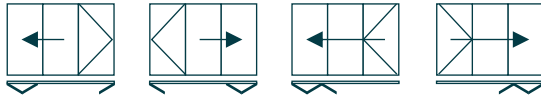
Standard Door Styles

Number of Panels

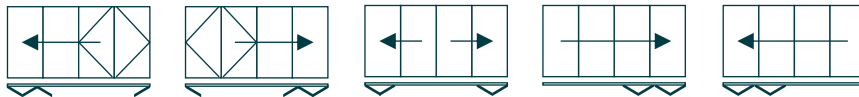
1 & 2



3



4



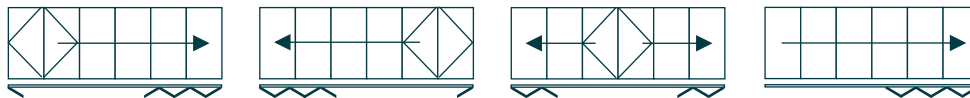
5



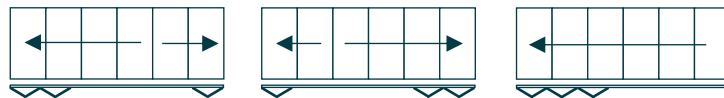
5



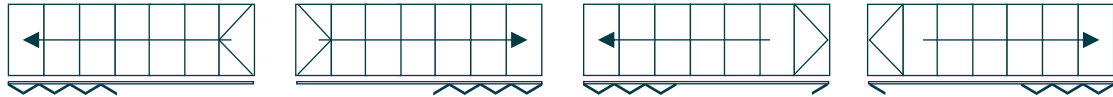
6



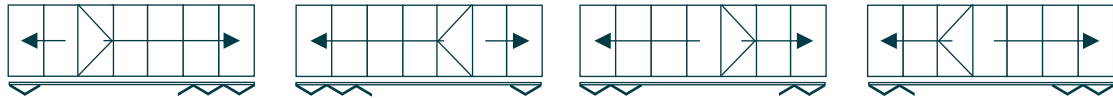
6



7



7



Traffic Doors

A triangle in a sash indicates a traffic door. The point of the triangle indicates hinges.

No of Door Panels	2	3	4	5	6	7	8+
Minimum Width	1400	2100	2800	3500	4200	4900	Please
Maximum Width	2000	3000	4000	5000	6000	7000	Ask

No of Door Panels	All
Minimum Height	1600
Maximum Height	3000

Note:

The sizes detailed above are for guidance only. If the sizes you require are less than the minimum or exceed our maximum recommended sizes please contact our technical department.

Duration Windows

Units 4-5,
Charfleets Road,
Canvey Island,
Essex. SS8 0PQ

t: 01268 681612 (15 lines)
f: 01268 510058
e: sales@duration.co.uk
w: www.duration.co.uk



DURATION WINDOWS

Supplying high quality aluminium products since 1985