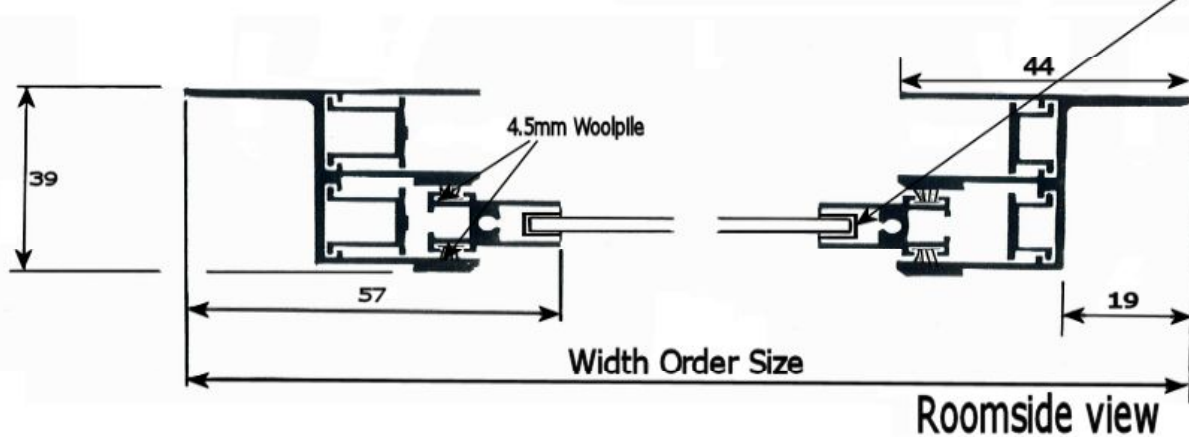
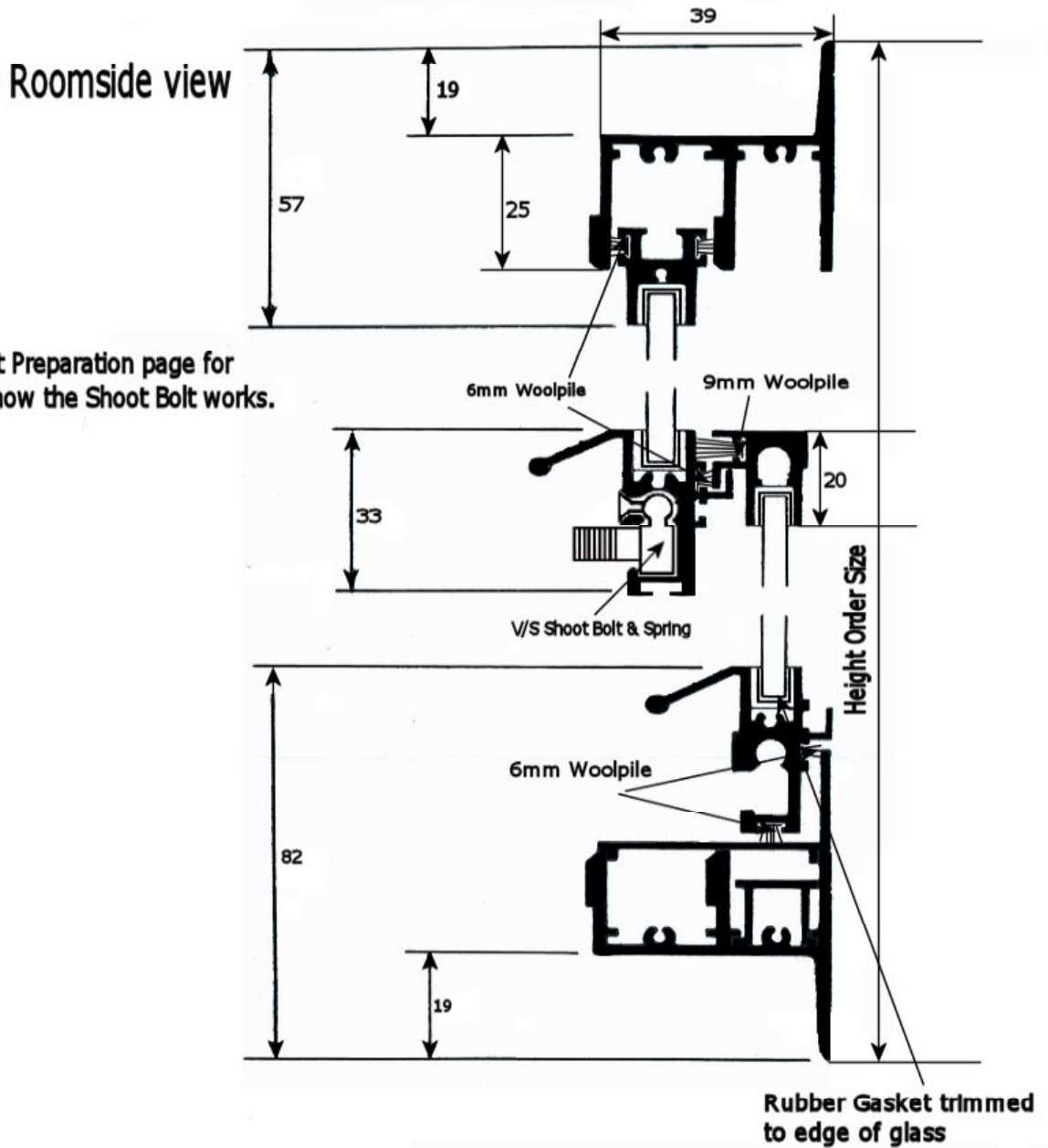


Unbalanced Vertical Sliding Secondary Sash Window With Economy Frame

All dimensions measured in millimetres



Updated November 2006

Duration Windows reserves the right to change specifications of its products without prior notice in keeping with our policy of continued product development.