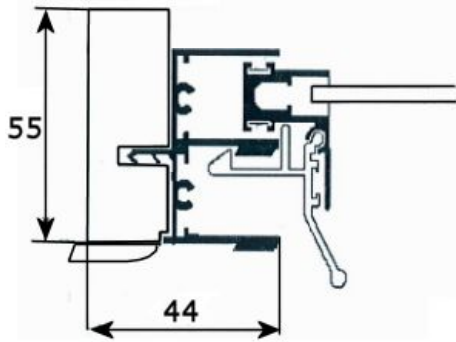


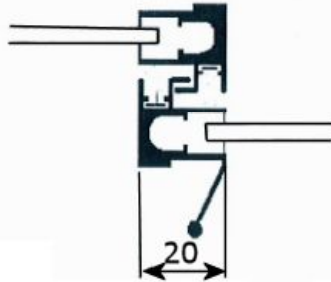
# Three Pane Secondary Sash Window With Reveal Fix MDF3 Frame

All dimensions in millimetres

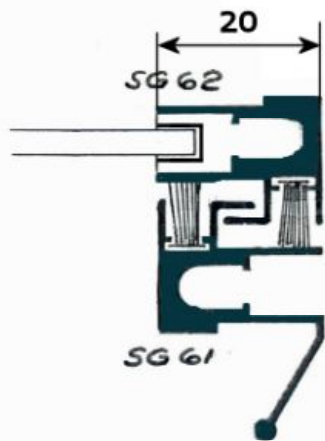


Roomside view

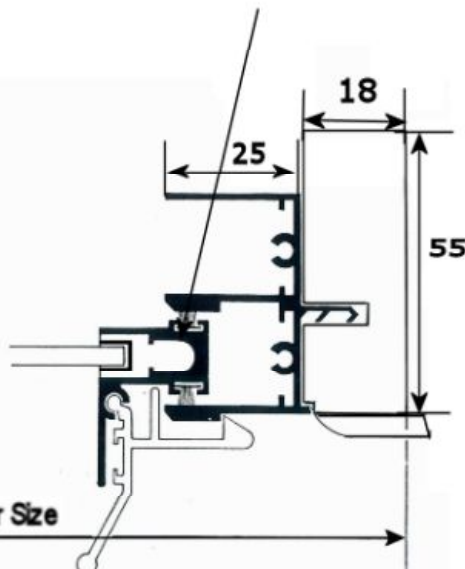
Rubber gasket trimmed to edge of glass



6mm Woolpile



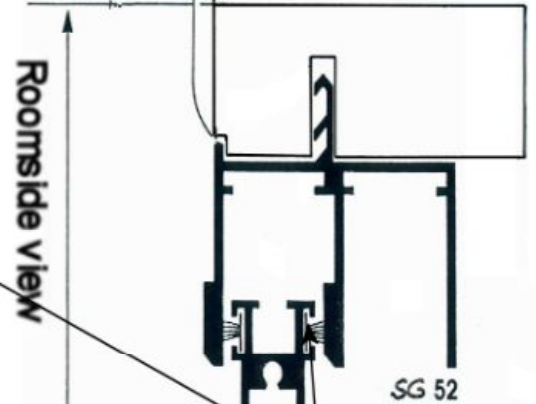
Width Order Size



On the horizontal sliders there is a sprung loaded handle which if desired can be at any height on the window

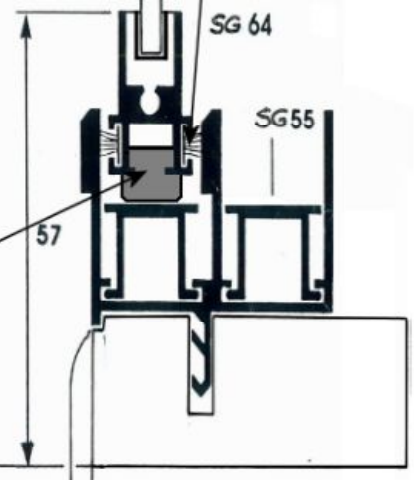
This is a nylon skid which is used to glide across the SG55, the nylon gives it a smooth gliding motion to the sliding panels

TM1 Cover Trim



Height Order Size

4.8mm Woolpile



Updated November 2006

Duration Windows reserves the right to change specifications of its products without prior notice in keeping with our policy of continued product development.