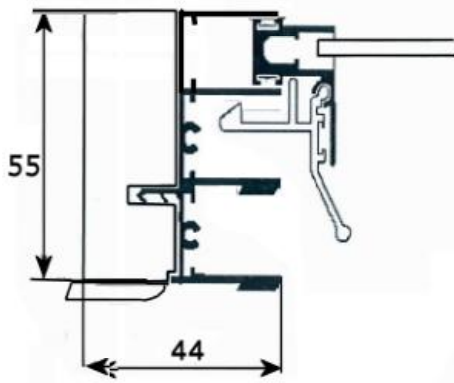


Three Track Horizontal slider With MDF3 Frame

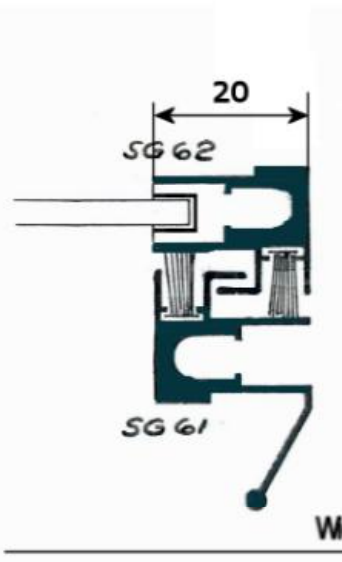
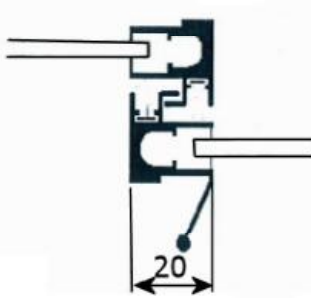
All dimensions in millimetres

The three track system allows you to have a three pane horizontal slider that can give you a 2/3rds opening.



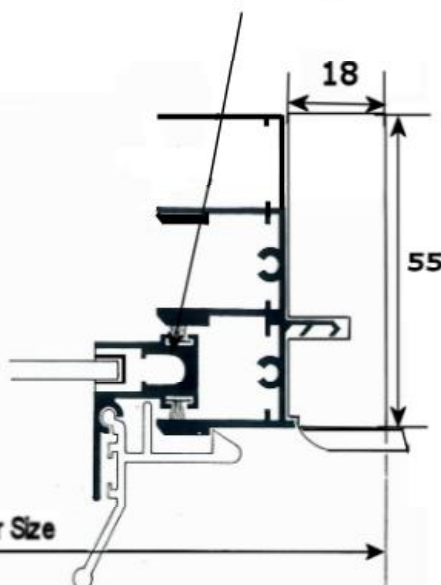
Roomside view

Rubber gasket trimmed to edge of glass

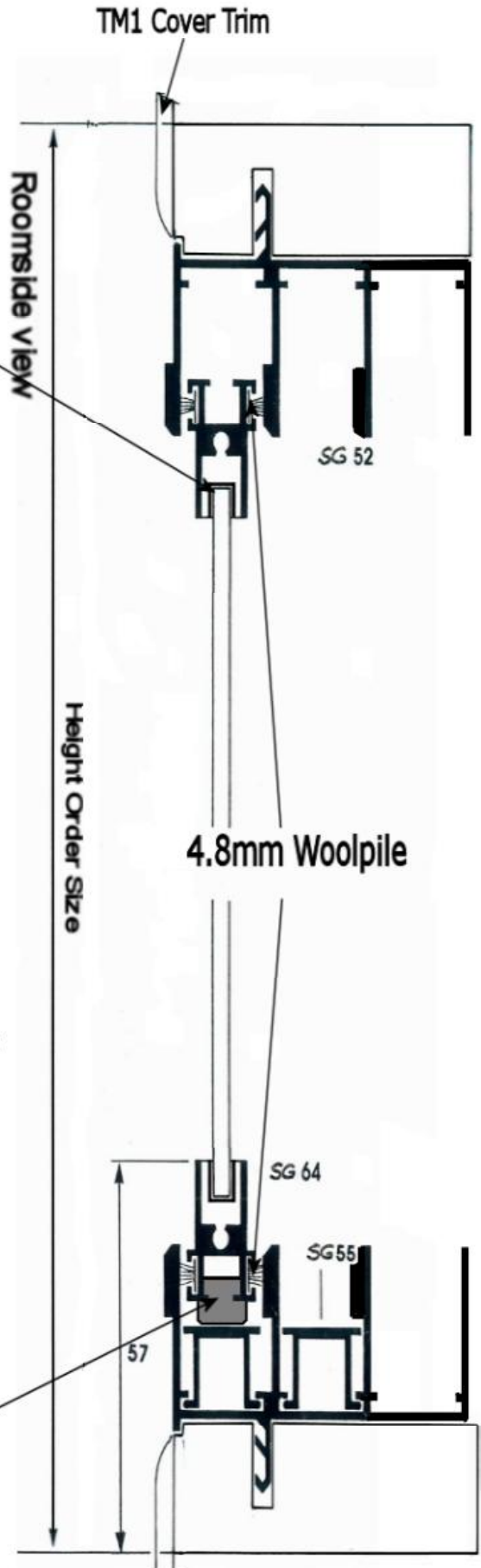


Width Order Size

6mm Woolpile



4.8mm Woolpile



On the horizontal sliders there is a sprung loaded handle which if desired can be at any height on the window

This is a nylon skid which is used to glide across the SG55, the nylon gives it a smooth gliding motion to the sliding panels

Updated November 2006

Duration Windows reserves the right to change specifications of its products without prior notice in keeping with our policy of continued product development.