

# The Continental

## **Bifolding Doors Threshold Options**

## Contents

### Standard Threshold

- Open Out -
  - With Decking Page 2
  - With Patio Page 3
- Open Out On 150 Cill -
  - With Decking Page 4
  - With Patio Page 5
  - With Decking Above Cill Page 6
- Open In -
  - With Decking Page 7
  - With Patio Page 8
- Open In On 150 Cill -
  - With Decking Page 9
  - With Patio Page 10
  - With Decking Above Cill Page 11

### Low Threshold

- Open Out -
  - With Decking Page 12
  - With Patio Page 13
- Open Out On 150 Cill -
  - With Decking Page 14
  - With Patio Page 15
  - With Decking Above Cill Page 16
- Open In -
  - With Decking Page 17
  - With Patio Page 18
- Open In On 150 Cill -
  - With Decking Page 19
  - With Patio Page 20
  - With Decking Above Cill Page 21

### Ramped Low Threshold

- Open Out -
  - With Decking Page 22
- Open In -
  - With Decking Page 23

### Room Divider

- Open In / Open Out - Page 24

### Cill Options

- 95mm / 150mm / 190mm Page 25
- Cills - Technical Page 26

### Threshold Sightlines

- Standard / Low / Ramped Low / Room Divider Page 27
- Floor Levels Overview - Threshold Options Page 28-29
- Drainage Page 30

The images displayed in this document are an artistic representation only, and not a comprehensive installation guide. If in any doubt please speak to a experienced builder or our technical department.

## Standard Threshold Open Out

With Decking Looking Out



With Decking Looking In



The images displayed in this document are an artistic representation only, and not a comprehensive installation guide. If in any doubt please speak to a experienced builder or our technical department.

## Standard Threshold Open Out

With Patio Looking Out



With Patio Looking In



The images displayed in this document are an artistic representation only, and not a comprehensive installation guide. If in any doubt please speak to a experienced builder or our technical department.

## Standard Threshold Open Out On 150 Cill

With Decking Looking Out



With Decking Looking In



The images displayed in this document are an artistic representation only, and not a comprehensive installation guide. If in any doubt please speak to a experienced builder or our technical department.

## Standard Threshold Open Out On 150 Cill

With Patio Looking Out



With Patio Looking In



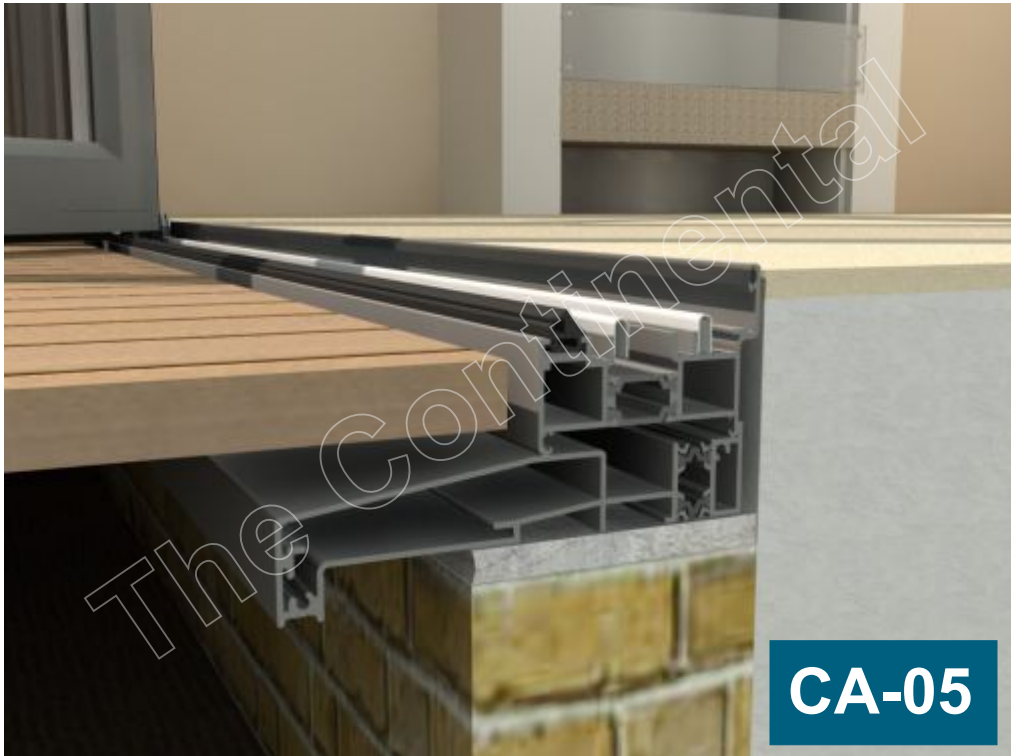
The images displayed in this document are an artistic representation only, and not a comprehensive installation guide. If in any doubt please speak to a experienced builder or our technical department.

## Standard Threshold Open Out On 150 Cill

With Decking Above 150 Cill Looking Out



With Decking Above 150 Cill Looking In



The images displayed in this document are an artistic representation only, and not a comprehensive installation guide. If in any doubt please speak to a experienced builder or our technical department.

## Standard Threshold Open In

With Decking Looking Out



With Decking Looking In



The images displayed in this document are an artistic representation only, and not a comprehensive installation guide. If in any doubt please speak to a experienced builder or our technical department.

## Standard Threshold Open In

With Patio Looking Out



With Patio Looking In



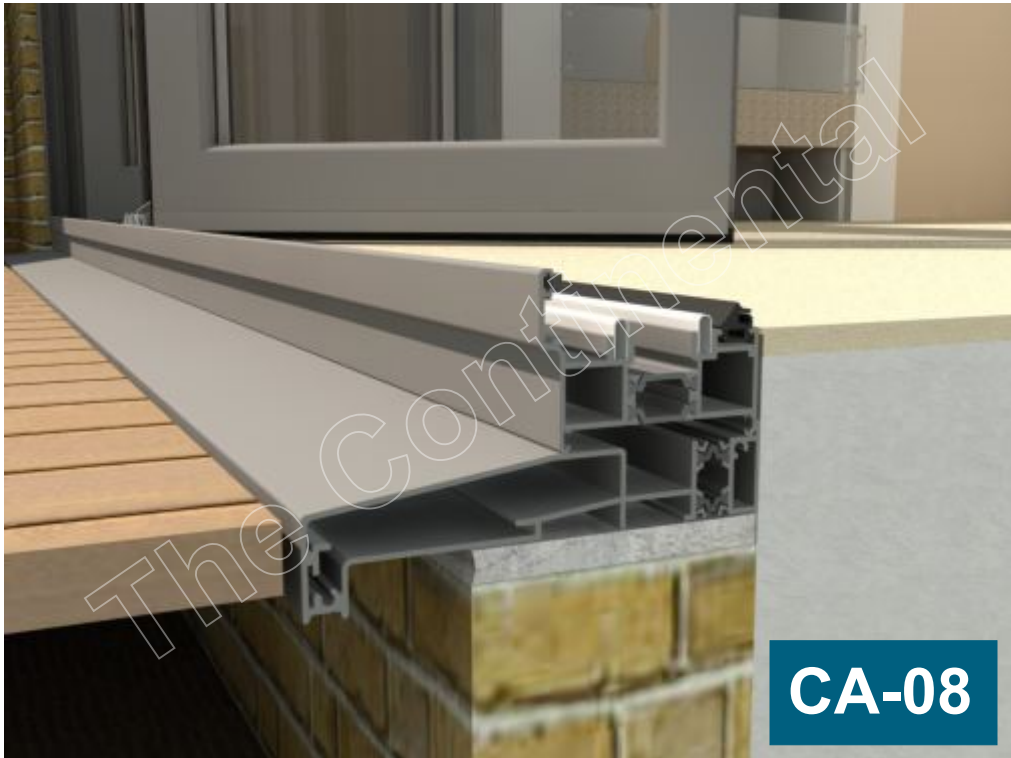
The images displayed in this document are an artistic representation only, and not a comprehensive installation guide. If in any doubt please speak to a experienced builder or our technical department.

## Standard Threshold Open In On 150 Cill

With Decking Looking Out



With Decking Looking In



The images displayed in this document are an artistic representation only, and not a comprehensive installation guide. If in any doubt please speak to a experienced builder or our technical department.

## Standard Threshold Open In On 150 Cill

With Patio Looking Out



With Patio Looking In



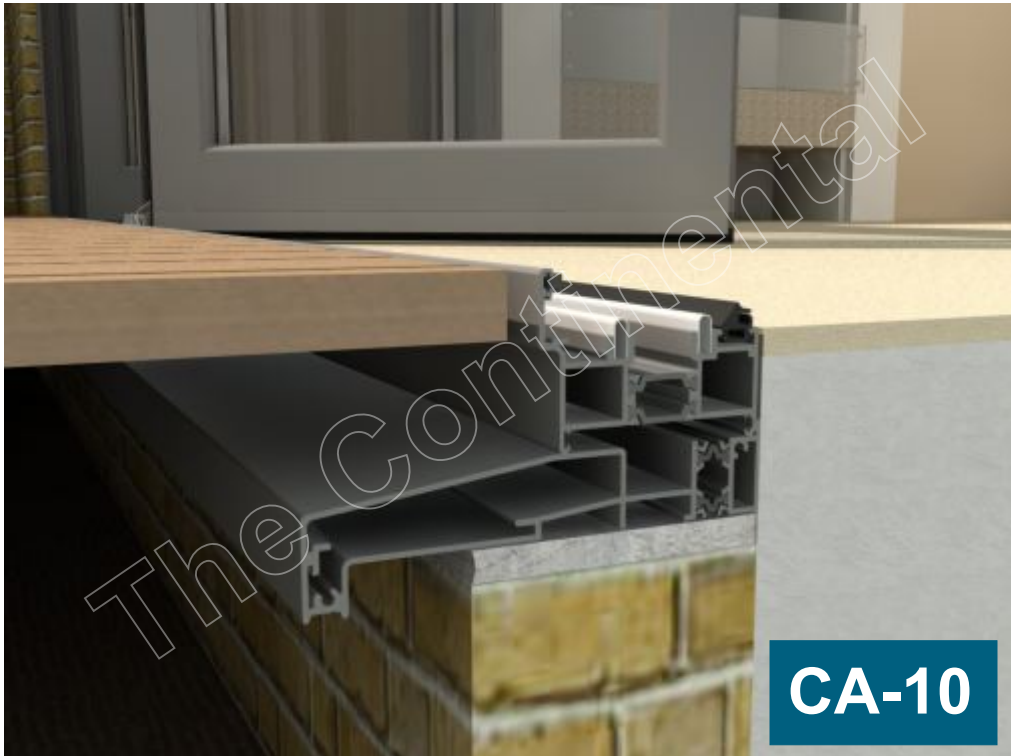
The images displayed in this document are an artistic representation only, and not a comprehensive installation guide. If in any doubt please speak to a experienced builder or our technical department.

## Standard Threshold Open In On 150 Cill

With Decking Above 150 Cill Looking Out



With Decking Above 150 Cill Looking In



The images displayed in this document are an artistic representation only, and not a comprehensive installation guide. If in any doubt please speak to a experienced builder or our technical department.

## Low Threshold Open Out

With Decking Looking Out



With Decking Looking In



The images displayed in this document are an artistic representation only, and not a comprehensive installation guide. If in any doubt please speak to a experienced builder or our technical department.

## Low Threshold Open Out

With Patio Looking Out



With Patio Looking In



The images displayed in this document are an artistic representation only, and not a comprehensive installation guide. If in any doubt please speak to a experienced builder or our technical department.

## Low Threshold Open Out On 150 Cill

With Decking Looking Out



With Decking Looking In



The images displayed in this document are an artistic representation only, and not a comprehensive installation guide. If in any doubt please speak to a experienced builder or our technical department.

## Low Threshold Open Out On 150 Cill

With Patio Looking Out



With Patio Looking In



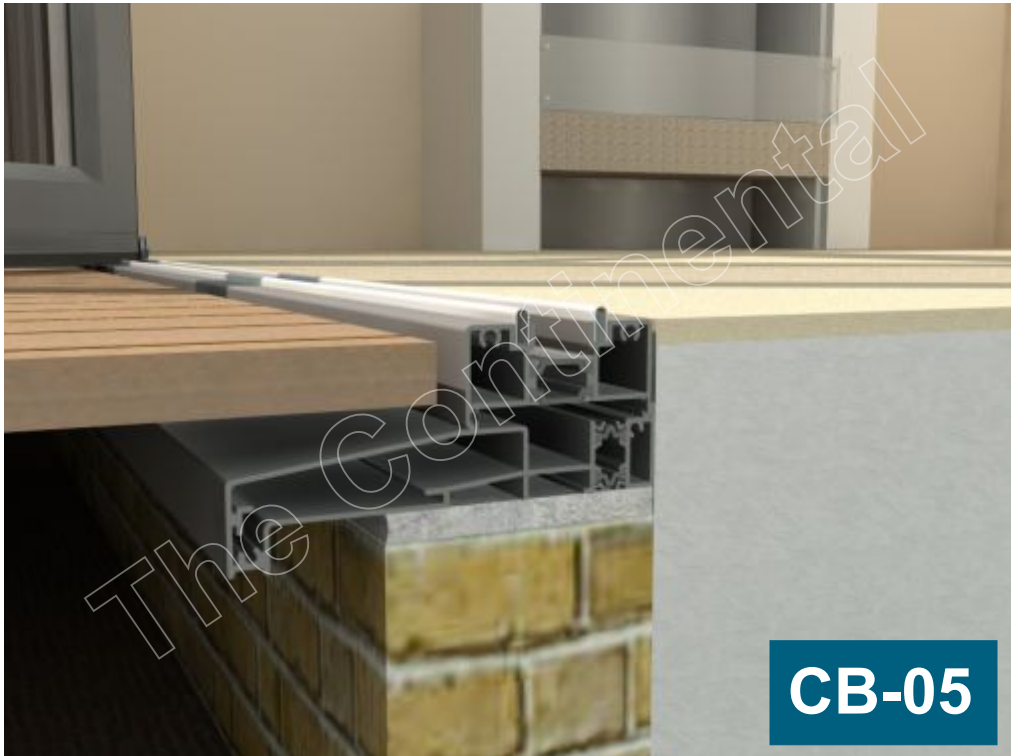
The images displayed in this document are an artistic representation only, and not a comprehensive installation guide. If in any doubt please speak to a experienced builder or our technical department.

## Low Threshold Open Out On 150 Cill

With Decking Above 150 Cill Looking Out



With Decking Above 150 Cill Looking In



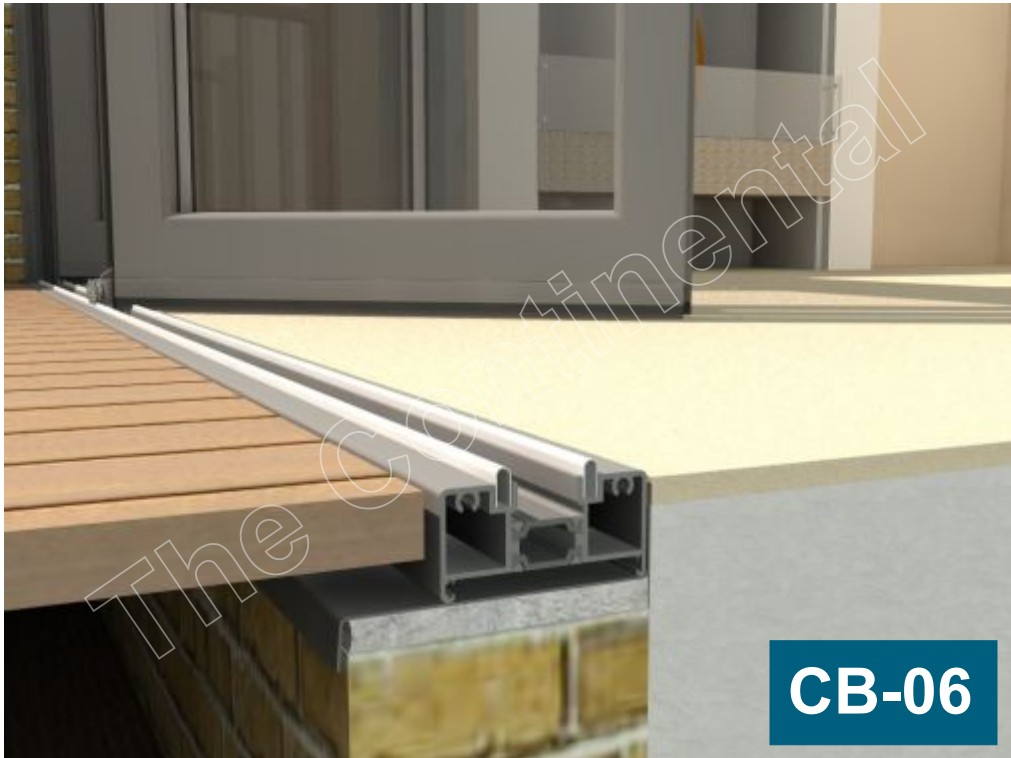
The images displayed in this document are an artistic representation only, and not a comprehensive installation guide. If in any doubt please speak to a experienced builder or our technical department.

## Low Threshold Open In

With Decking Looking Out



With Decking Looking In



The images displayed in this document are an artistic representation only, and not a comprehensive installation guide. If in any doubt please speak to a experienced builder or our technical department.

## Low Threshold Open In

With Patio Looking Out



With Patio Looking In



The images displayed in this document are an artistic representation only, and not a comprehensive installation guide. If in any doubt please speak to a experienced builder or our technical department.

## Low Threshold Open In On 150 Cill

With Decking Looking Out



With Decking Looking In



The images displayed in this document are an artistic representation only, and not a comprehensive installation guide. If in any doubt please speak to a experienced builder or our technical department.

## Low Threshold Open In On 150 Cill

With Patio Looking Out



With Patio Looking In



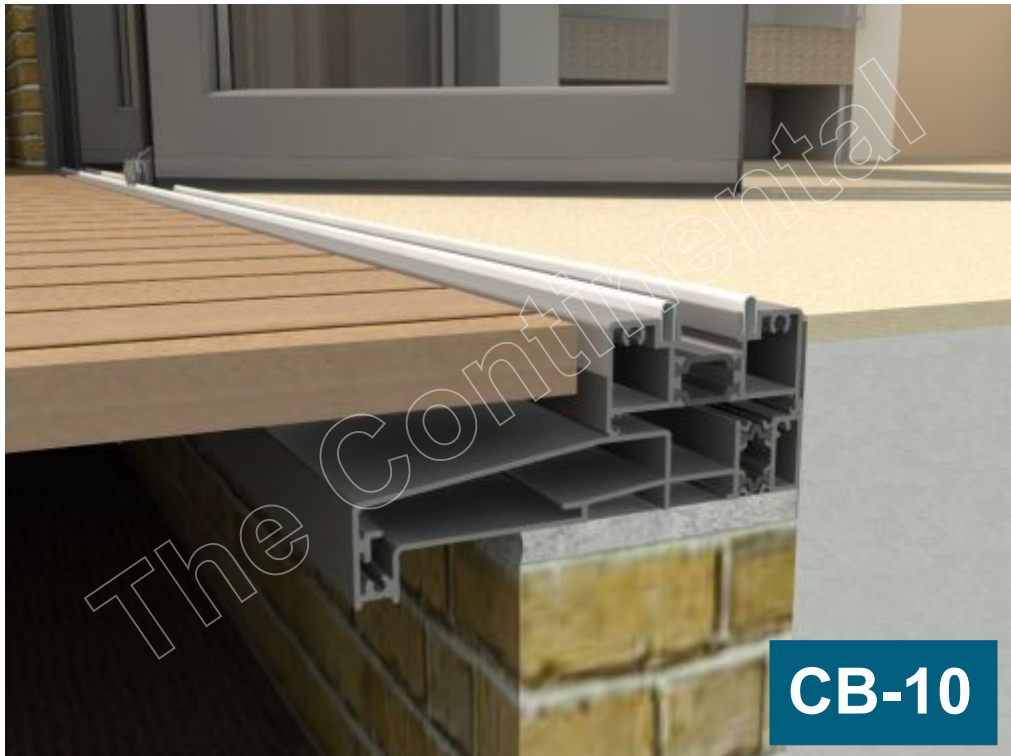
The images displayed in this document are an artistic representation only, and not a comprehensive installation guide. If in any doubt please speak to a experienced builder or our technical department.

## Low Threshold Open In On 150 Cill

With Decking Above 150 Cill Looking Out



With Decking Above 150 Cill Looking In



The images displayed in this document are an artistic representation only, and not a comprehensive installation guide. If in any doubt please speak to a experienced builder or our technical department.

## Ramped Low Threshold Open Out

With Decking Looking Out



With Decking Looking In



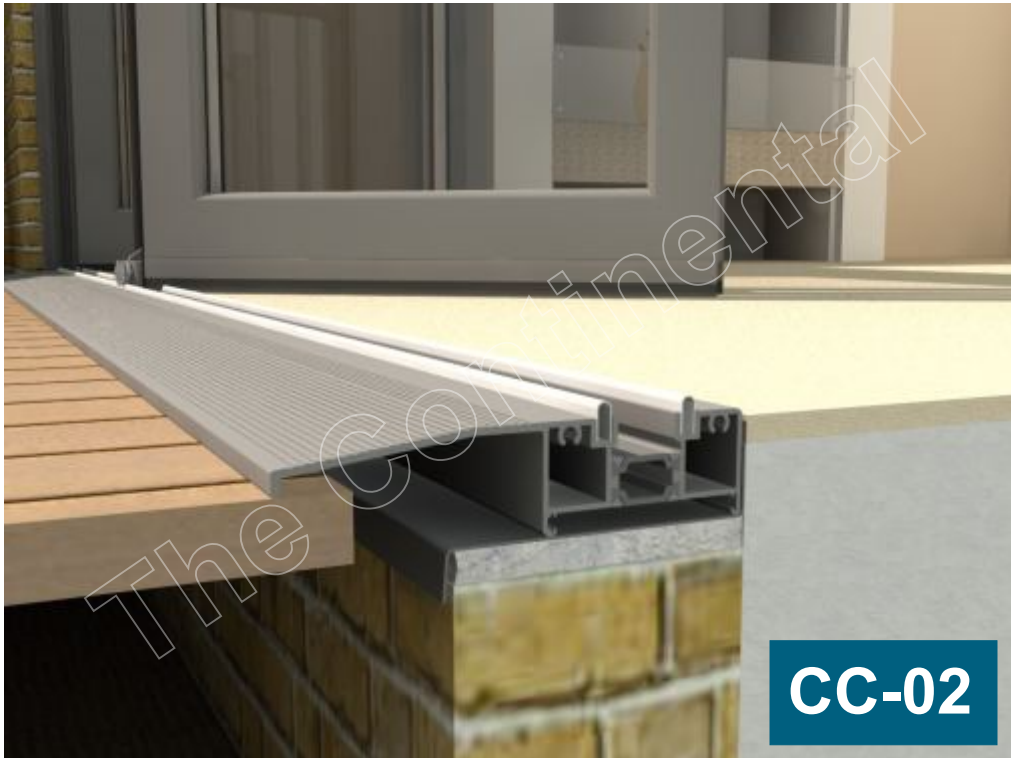
The images displayed in this document are an artistic representation only, and not a comprehensive installation guide. If in any doubt please speak to a experienced builder or our technical department.

## Ramped Low Threshold Open In

With Decking Looking Out



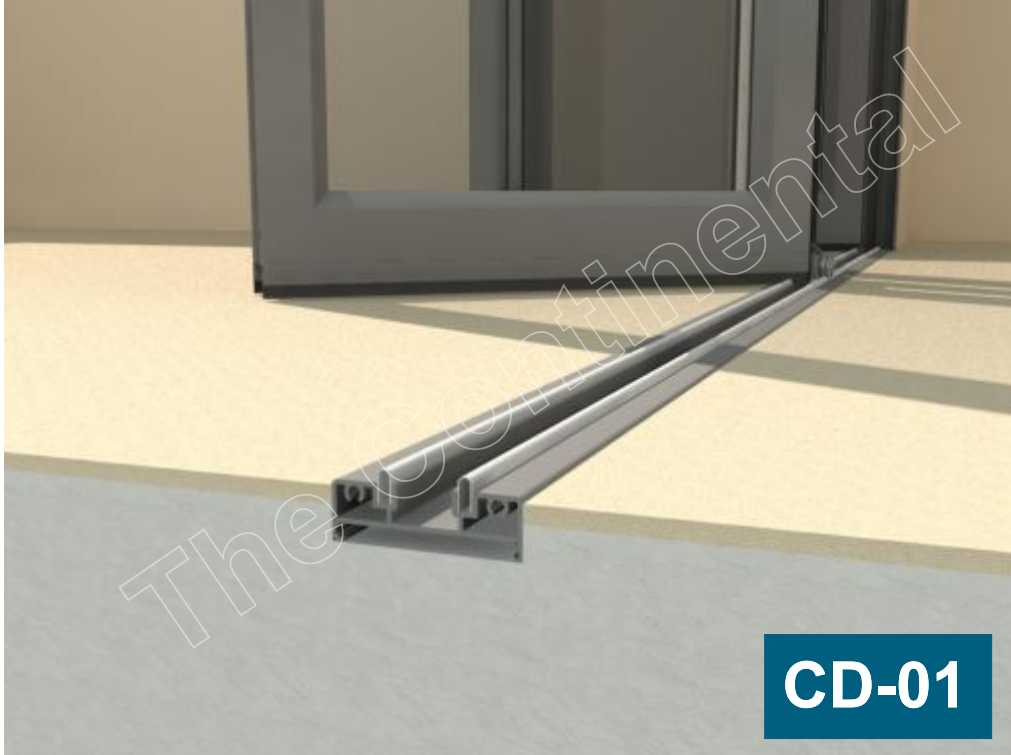
With Decking Looking In



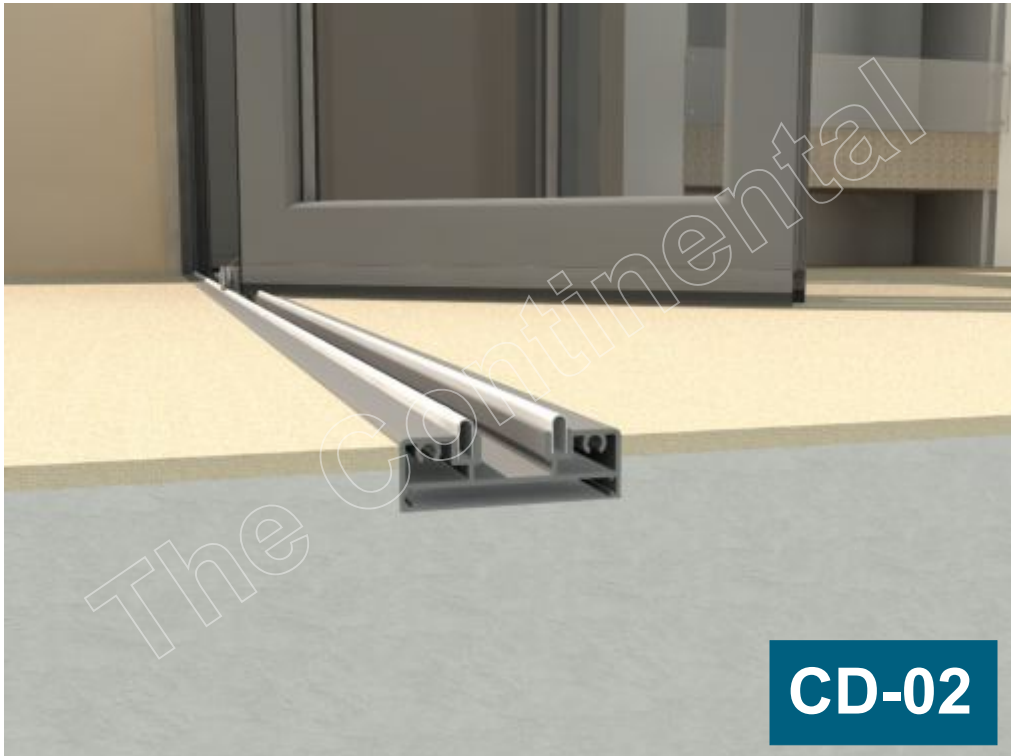
The images displayed in this document are an artistic representation only, and not a comprehensive installation guide. If in any doubt please speak to a experienced builder or our technical department.

## Room Divider Threshold

Opening Out



Opening In

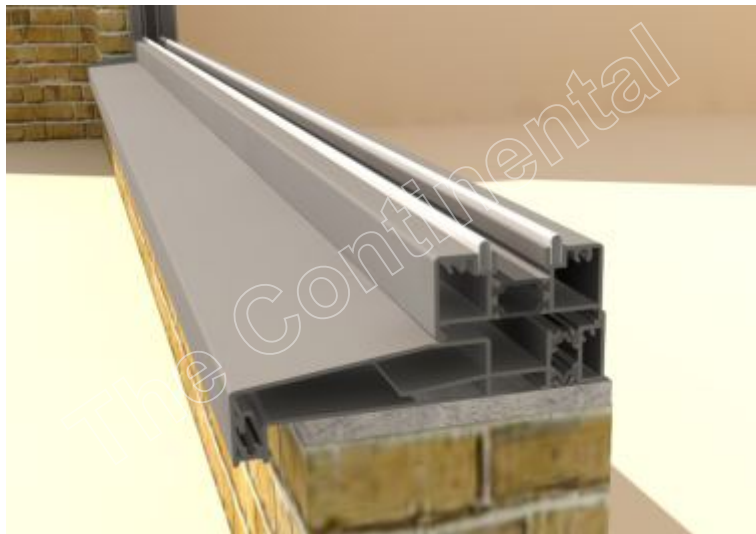


The images displayed in this document are an artistic representation only, and not a comprehensive installation guide. If in any doubt please speak to a experienced builder or our technical department.

95mm



150mm



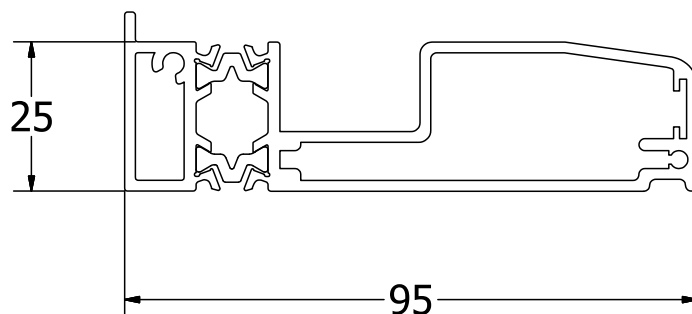
190mm



Cills

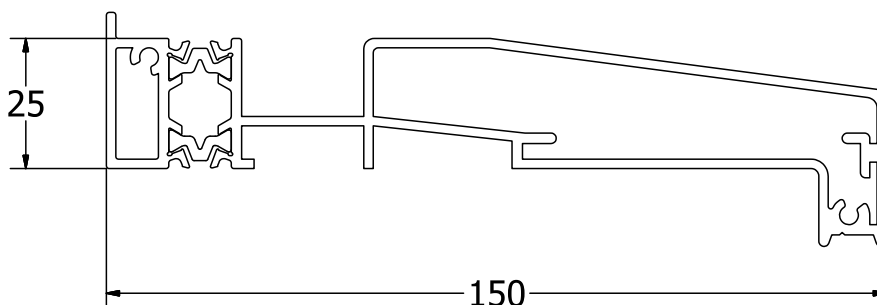
## AW570

95mm Cill



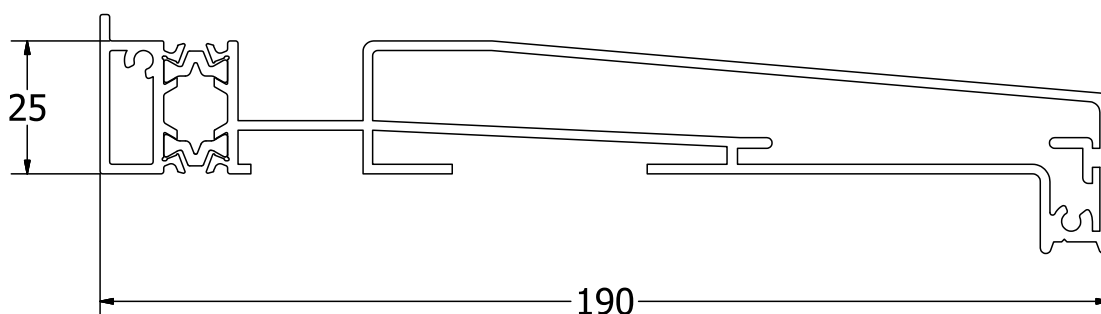
## AW542

150mm X 25mm Drop Nose Cill



## AW544

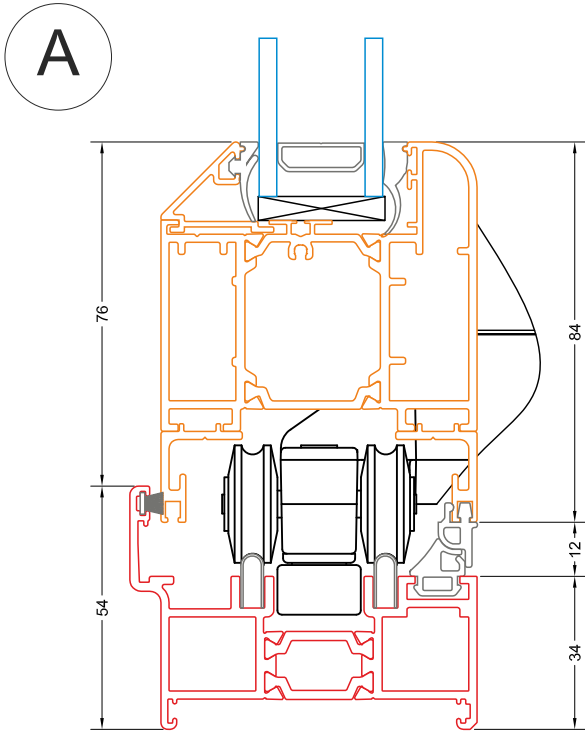
190mm X 25mm Drop Nose Cill



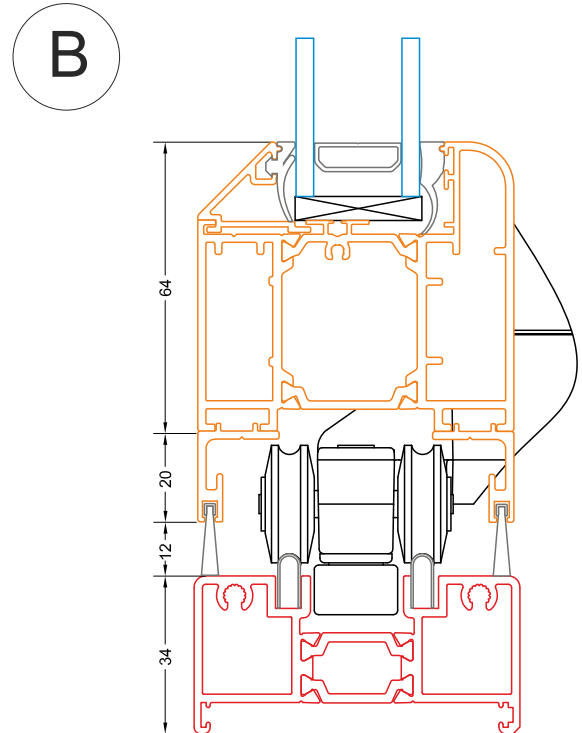
# Threshold Sightlines

# The Continental

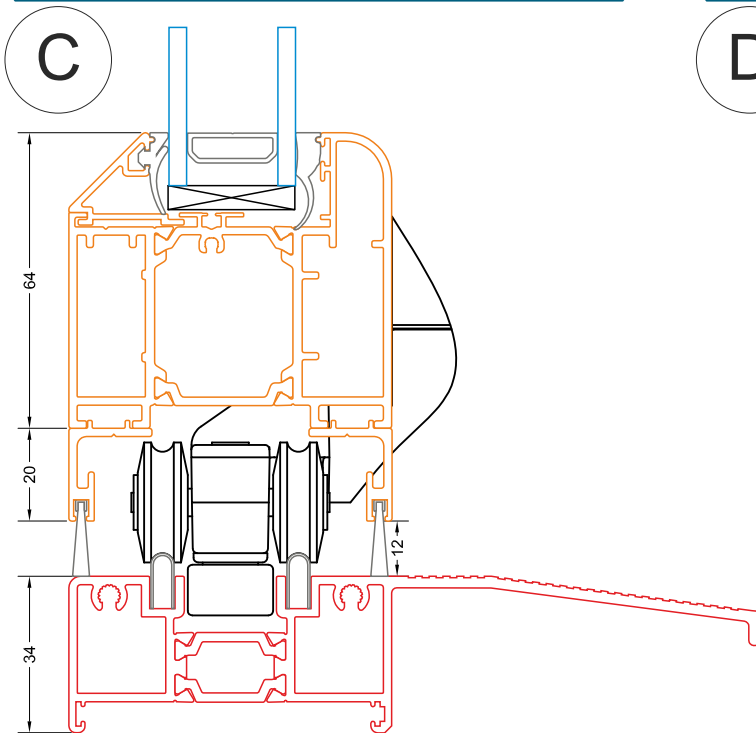
**Standard Threshold**



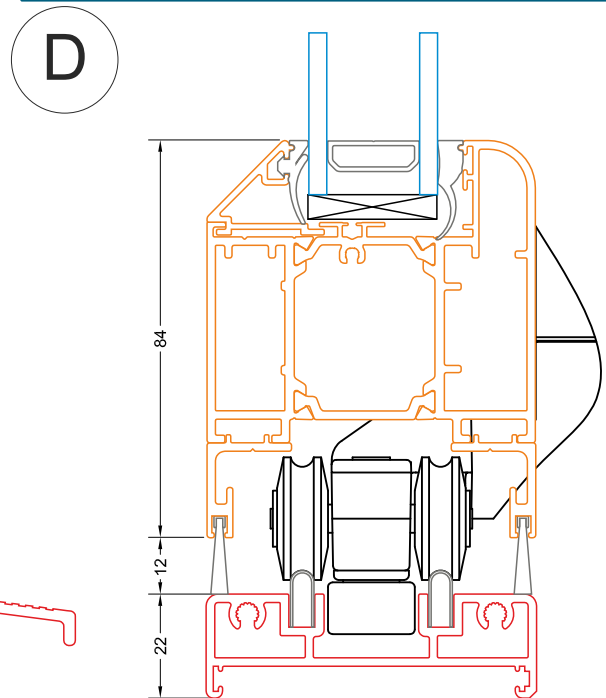
**Low Threshold**



**Duration Low Threshold**



**Room Divider**



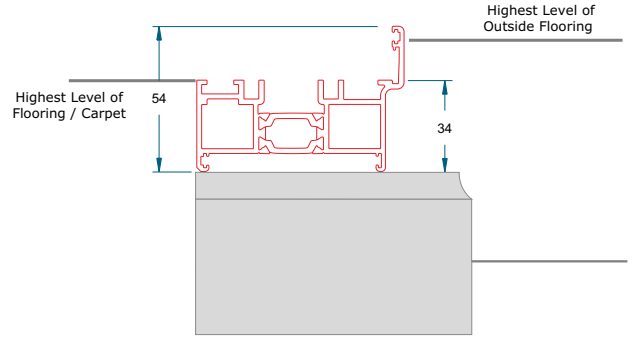
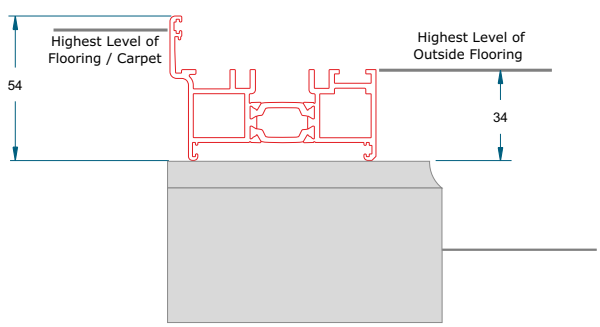
Key	
	Threshold
	Sash

# Threshold Sightlines The Continental

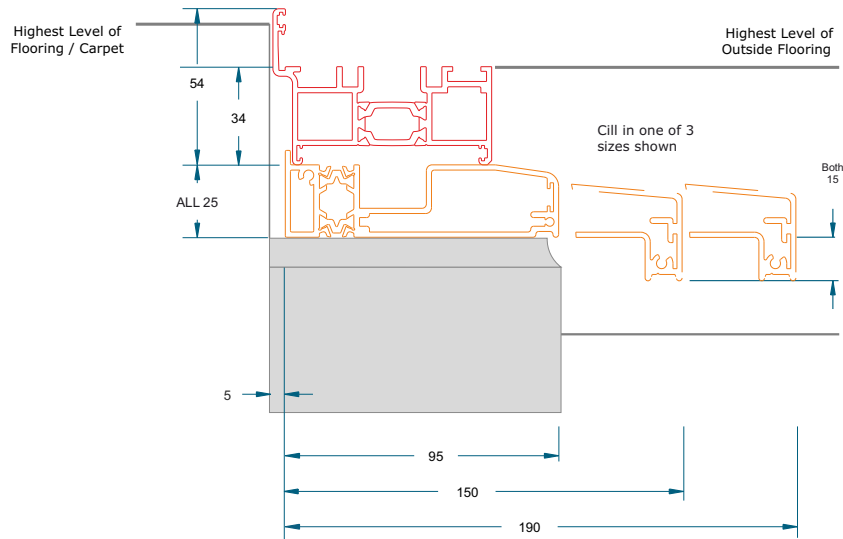
## Floor Levels Overview - Threshold Options

### Standard Threshold - Open Out

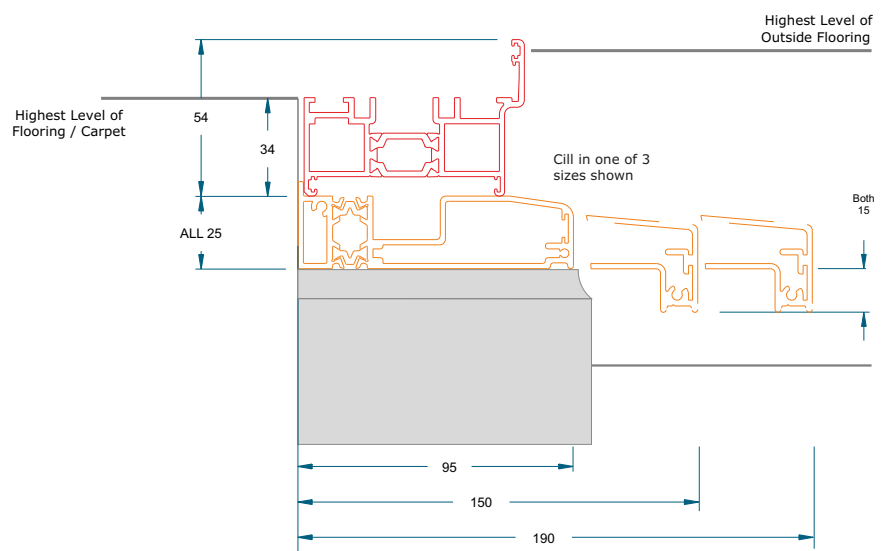
### Standard Threshold - Open In



### Standard Threshold on Cill - Open Out



### Standard Threshold on Cill - Open In

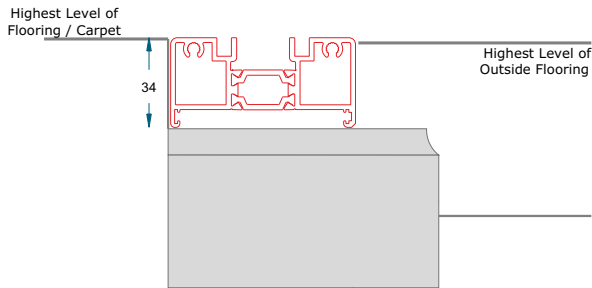


Key	
	Threshold
	Cill
	Brick/Concrete

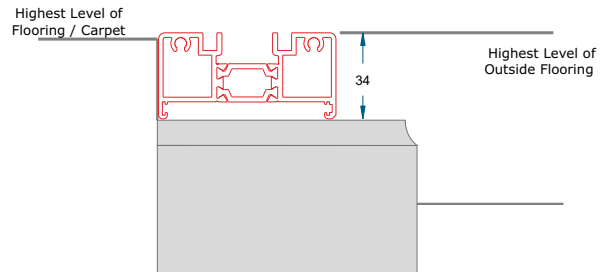
Please Note: Intended For Guidance Only - Not An Installation Drawing Or A Builder's Work Instruction

## Floor Levels Overview - Threshold Options

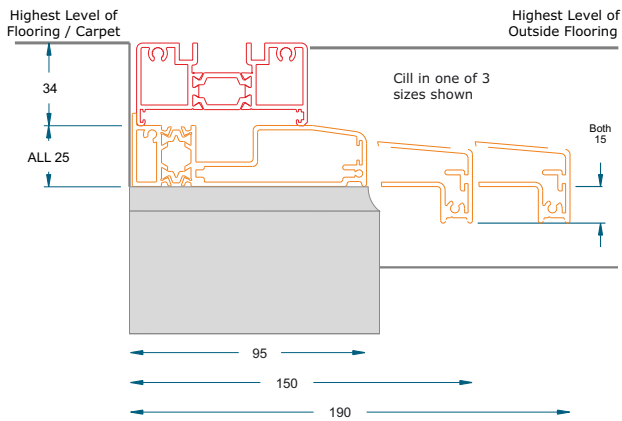
### Low Threshold - Open Out



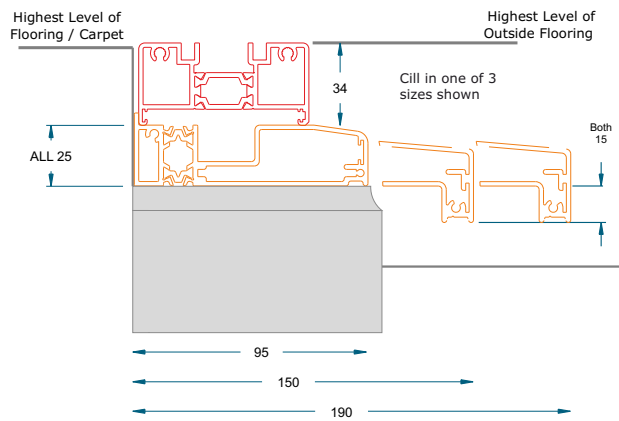
### Low Threshold - Open In



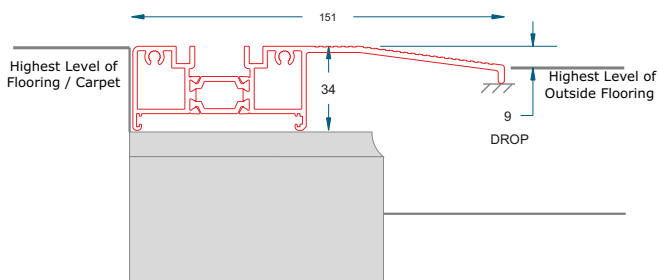
### Low Threshold on Cill - Open Out



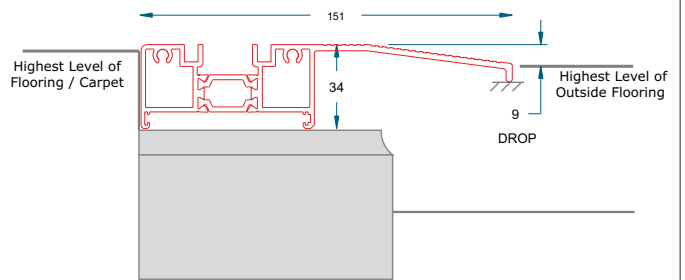
### Low Threshold on Cill - Open In



### Ramped Threshold - Open Out



### Ramped Threshold - Open In



Key	
	Threshold
	Cill
	Brick/Concrete

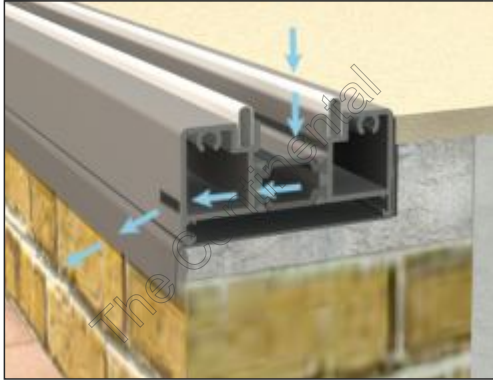
Please Note: Intended For Guidance Only - Not An Installation Drawing Or A Builder's Work Instruction

## Drainage Paths

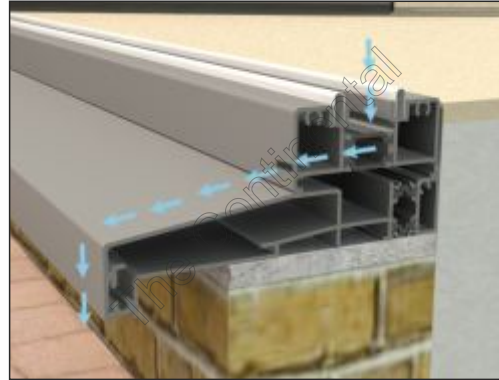
When installing a bifold, drainage paths for the threshold needs to be taken into consideration.

Please discuss drainage with the installer, homeowner and installer of the external flooring.

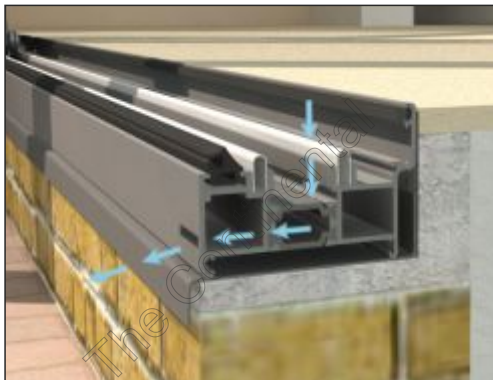
The below images depict an example of each threshold and its drainage path.



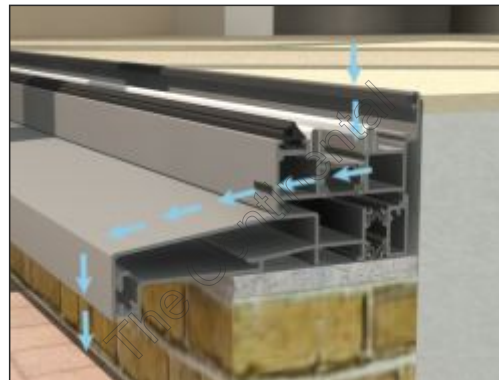
Low Threshold



Low Threshold With Cill



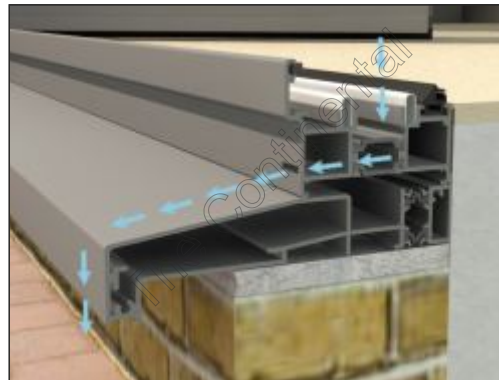
Standard Threshold (Open out)



Standard Threshold With Cill (Open out)



Standard Threshold (Open in)



Standard Threshold With Cill (Open in)



Ramped Threshold